

Bestway®

58486

Hmax 1.5 m

bestwaycorp.com/support

Visit Bestway YouTube channel 



SAND FILTER OWNER'S MANUAL



SAFETY INSTRUCTIONS

WARNING

IMPORTANT SAFETY INSTRUCTIONS - READ AND FOLLOW ALL SAFETY INSTRUCTIONS - SAVE THESE INSTRUCTIONS

When installing and using this electrical equipment, basic safety precautions should always be followed, including the following:

- The pump is to be supplied by an isolating transformer or supplied through a residual current device (RCD) having a rated residual operating current not exceeding 30 mA.
- The power source on the wall of building should keep more than 4m away from pool.
- The appliance must be supplied by earthed power source.
- **RISK OF ELECTRIC SHOCK** - The pump cannot be using while people are inside the pool. Forbid the access of the pool in case of damage of the sand filter.
- **DO NOT BURY CORD.** Locate cord to minimize abuse from lawn mowers, hedge trimmers, and other equipment.
- To reduce the risk of electric shock, replace damaged cord immediately.
- If the supply cord is damaged, it must be replaced by the manufacturer, its service agent or similarly qualified persons in order to avoid a hazard.
- Extension cords can't be used.
- Risk of electric shock. Using the sand filter with an unmatched electrical supply is dangerous and will permanently damage the sand filter.
- Do not remove the grounding prong or modify the plug in anyway. Do not use adaptor plugs. Consult a qualified electrician for any questions relating to validity of your plugs or grounding.

- Handle the sand filter with care. Do not pull or carry the sand filter by the power cord. Never pull a plug from the outlet by yanking the power cord. Keep cord free from abrasions. Sharp objects, oil, moving parts, and heat should never be exposed to the sand filter.
- Always unplug this product from the electrical outlet before removing, cleaning, servicing or making any adjustment to the product.
- Don't plug or unplug the appliance if hand is wet.
- Always unplug the appliance:
 - On raining days
 - Before cleaning or other maintenance
 - Leave it unattended on holidays
- When the appliance will be not used for long time, such as in the winter, the pool set should be disassembled and stored indoor.
- **CAUTION:** Read the instruction before using the appliance and installation/reassembly every time.
- Safekeeping the instruction. For reconstruction the pool set every time, please always refer to the instructions.
- If instruction is missed, please contact with Bestway or search it in website: www.bestwaycorp.com
- Electric installations should follow national wiring rules. Consult a qualified electrician for any questions.

CAUTION: This sand filter is for use with storable pools only. Do not use with permanently-installed pools. A storable pool is constructed so that it is capable of being readily disassembled for storage and reassembled to its original integrity. A permanently - installed pool is constructed in or on the ground or in a building such that it cannot be readily disassembled for storage.

- This appliance can be used by children aged from 8 years and above and persons with reduced physical, sensory or mental capabilities or lack of experience and knowledge if they have been given supervision or instruction concerning use of the appliance in a safe way and understand the hazards involved. Children shall not play with the appliance. Cleaning and user maintenance shall not be made by children without supervision. (For EU market)
- This appliance is not intended for use by persons (including children) with reduced physical, sensory or mental capabilities, or lack of experience and knowledge, unless they have been given supervision or instruction concerning use of the appliance by a

person responsible for their safety. Children should be supervised to ensure that they do not play with the appliance. (For market other than EU)

- Cleaning and user maintenance must be performed by an adult above 18 years old who is familiar with the risk of electric shock.

NOTES:

- Place the sand filter on solid, level ground. Ensure the sand filter is at least 2 meters away from poolside. Keep distance as far as possible.
- Pay attention to position pool and sand filter so adequate ventilation, drainage, and access for maintenance is available. Never place the sand filter in an area that may accumulate water, or on a walking path with lots of foot traffic.
- It is necessary to have the plug accessible after installation of the pool. The plug of the sand filter shall be at least 3.5 m away from the pool.
- Atmospheric conditions may affect the performance and life span of the sand filter; take adequate precautions to protect the sand filter from unnecessary wear and tear that may occur during periods of cold or hot weather and/or exposure to sun.
- Please examine and verify all sand filter components are present before use. Notify Bestway at the customer service address listed on this manual for any damaged or missing parts at the time of purchase.
- It is imperative to change as soon as possible all deteriorated parts. Only use parts approved by the manufacturer.
- Do not allow children or adults to lean or sit on the apparatus.
- Do not add chemicals to the sand filter.
- When chemical products are used to clean the pool water, it is recommended to respect a minimum filtration time to preserve the health of swimmers which depends on compliance of health regulation.
- Only the media provided or specified by the manufacturer is to be used with product installation.
- It is essential to check that the suction openings are not obstructed.
- It is advisable to stop the filtration during maintenance operations on the filtration system.
- Regularly monitor the filter clogging level.
- A weekly check is recommended for backwashing or cleaning.

Minimum daily filtration operating time of 8 hours is recommended to ensure clear pool water.

- It is essential to change any damaged element or set of elements as soon as possible. Use only parts approved by person responsible for placing the product on the market.
- All filters and filter media shall be inspected regularly to ensure that there is not a build-up of detritus thus preventing good filtration. The disposal of any used filter media should also be in accordance with applicable regulations/legislation.
- Mind all the safety requirements and recommendations described in the manual. In case of doubt on the pump or any circulation devices, contact a qualified installer, or the manufacturer / importer / distributor. The water circulation installation shall comply with the European as well as national / local regulations, especially when dealing with electrical issues. Any change of valve position, pump size, grille size can cause a change of the flow and the suction velocity can be increased.
- This product is not intended for commercial use.

Please read the instruction manual carefully and keep it for future reference.

SAVE THESE INSTRUCTIONS

PUMP DISPOSAL

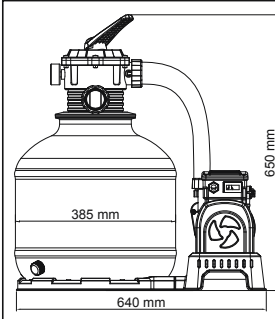


Meaning of crossed-out wheeled dustbin:

Do not dispose of electrical appliances as unsorted municipal waste, use separate collection facilities. Contact your local government for information regarding the collection systems available.

If electrical appliances are disposed of in landfills or dumps, hazardous substances can leak into the groundwater and get into the food chain, damage your health and well-being. When replacing old appliances with new ones, the retailer is legally obligated to take back your old appliance for disposals at least free of charge.

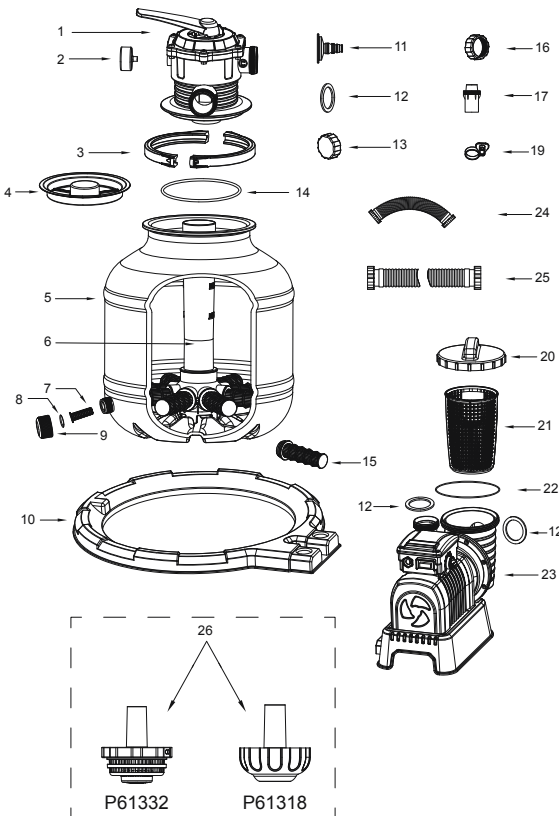
SPECIFICATIONS



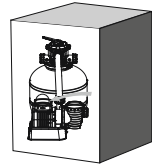
Filter Diameter:	385 mm
Effective Filter Area:	0.11 m ² (1.18 ft ²)
Max. Operating Pressure:	1.59 Bar (23 PSI)
Working sand filter pressure:	<0.55 Bar (8 PSI)
Max. Water Temperature:	35°C
Sand:	Not included
Sand Size:	#20 silica sand, 0.45-0.85 mm
Sand Capacity:	Approximately 36 kg

PARTS REFERENCE OVERVIEW


Before assembling the sand filter, take a few minutes to become familiar with all the sand filter parts.



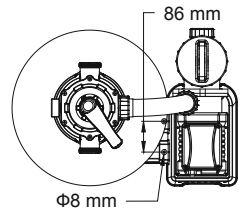
A



REF.NO	SPARE PART NO.	A
1	P03831	1
2	P61138ASS16	1
3	P03832	2
4	P61209ASS16	1
5	P03843	1
6	P03844	1
7	P61211ASS16	1
8	P6581ASS16	1
9	P6580ASS16	1
10	P03845	1
11	P6614ASS16	1
12	P6029ASS16	5
13	P03830	1
14	P61214ASS16	1
15	P61210ASS16	8
16	P03829	1
17	P6916ASS16	2
19	P6124ASS16	2
20	P6561ASS16	1
21	P6562ASS16	1
22	P6563ASS16	1
23	P03814(EU)/P03816(GB)	1
24	P03849	1
25	P6518ASS16	2
26	P61322ASS16	1
	P61318ASS16	1

Assembly (You will need a screwdriver.) 

1. Carefully remove all components from the package and check to ensure nothing is damaged. If equipment is damaged, immediately notify the retailer from where the equipment was purchased.
2. The sand filter should be placed on solid, level ground, preferably a concrete slab. Position the sand filter so the Ports and Control Valve are accessible for operation, servicing and winterizing.
3. EN60335-2-41 TEST standard requires the sand filter to be vertically fixed on ground or a certain pedestal made of wood or concrete before use to prevent the sand filter from accidentally falling. Fully assembled sand filter will exceed 18 kg. The mounting holes should be 8 mm in diameter and spaced 86 mm apart. Use two bolts and nuts with a maximum of 8 mm in diameter to fasten the sand filter to the pedestal.



Load pool-grade filter sand/Flowclear™ Polysphere.

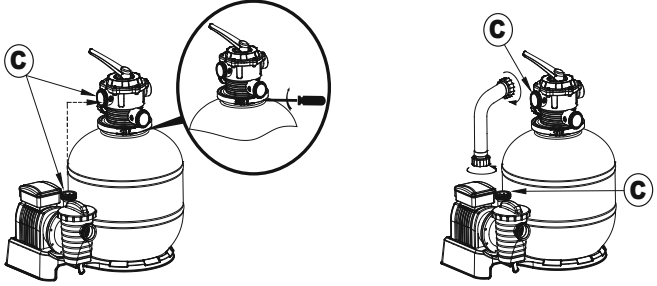
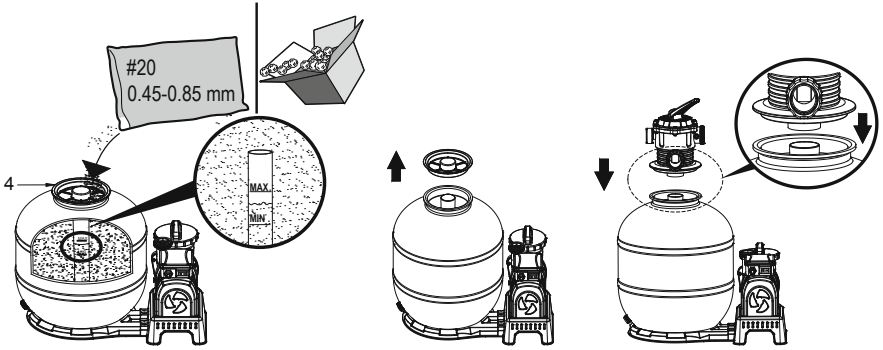
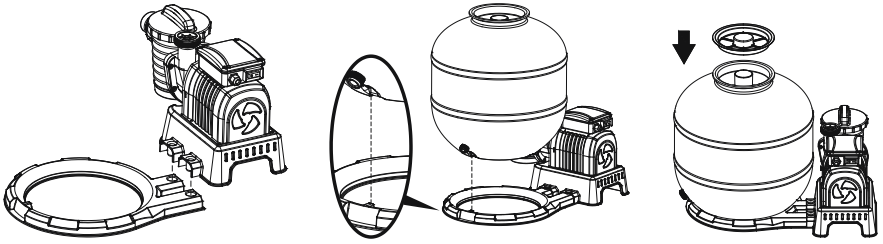
NOTE: Use only special pool-grade filter sand, free of all limestone or clay: #20 Silica sand 0.45-0.85 mm, approximately one 36 kg bag should suffice.

If you do not use the recommended size of filter sand, filtering performance will be reduced and the sand filter may be damaged, thereby voiding the warranty.

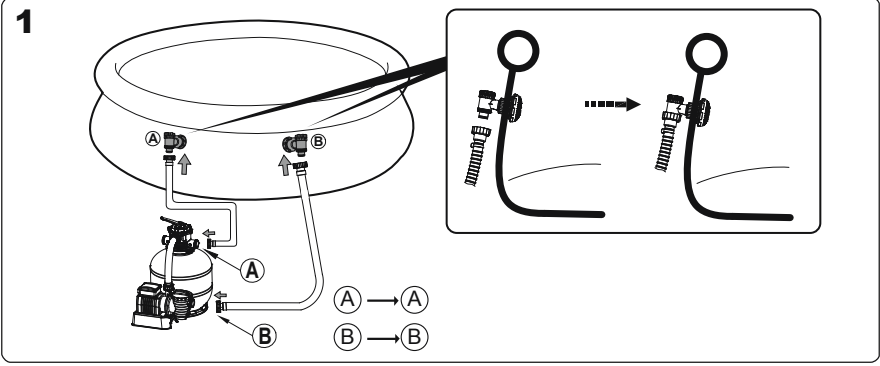
NOTE: To avoid damaging the Skimmer when adding sand, pour some water into the Bottom Tank to submerge the Skimmer on the Hub.

NOTE: Sand/Flowclear™ Polysphere not included.

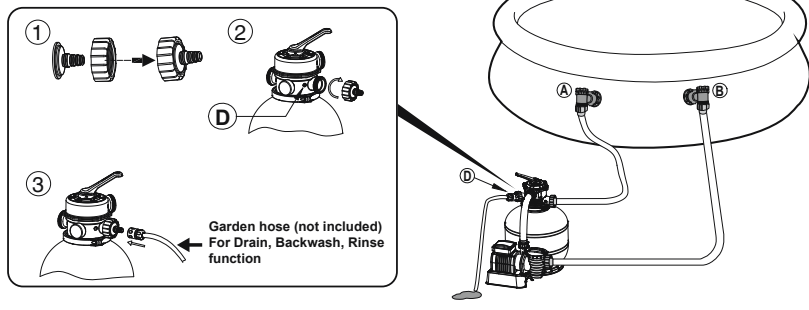
NOTE: Use 28 g (0.06 lbs) Flowclear™ Polysphere to replace 1 kg (2.20 lbs) sand.



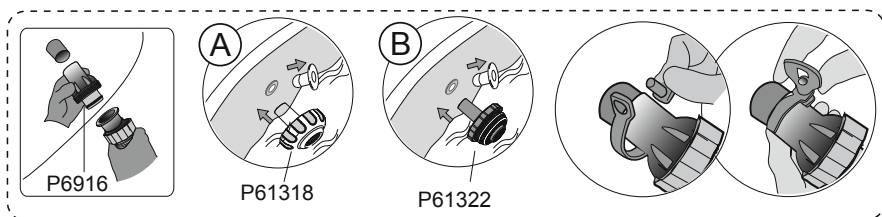
Connect to the pool



2



For pool with 32 mm valves



STOP

Before switching on, please read the manual carefully.

OPERATION

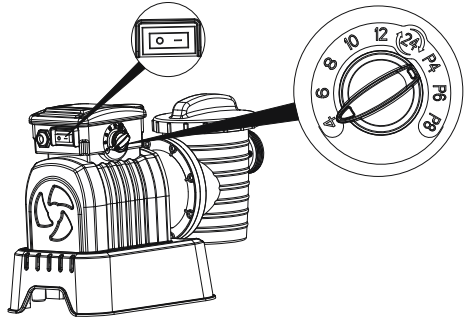
Timer

1. Plug into power source, adjust power switch to “ON” (-) position. The sand filter will begin working immediately.
2. Adjust power switch to “OFF” (0) position. The sand filter will stop working immediately.
3. After turning on, you can adjust work time, rest time and cycle time by turning the knob to desired position. See the table below for more details.
4. When the timer knob is moved into new position, the filter’s previous cycle automatically cancels so new

cycle can begin.

5. Each time the filter is powered on or restarted, a new cycle will begin based on timer knob position.

NOTE: If the knob is adjusted to the 24-hour position (24), the sand filter will work continuously without any rest period.



Knob Position	Working time(H)	Rest time(H)	Cycle period(H)
4	4	20	24
6	6	18	24
8	8	16	24
10	10	14	24
12	12	12	24
24	24	0	24
P4	4	4	8
P6	6	6	12
P8	8	8	16

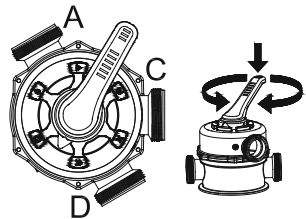
CONTROL VALVE OVERVIEW

WARNING: To prevent equipment damage and possible injury, always switch off sand filter before changing the Control Valve function.

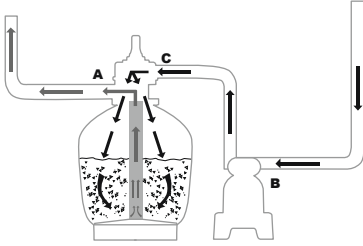
Changing valve positions while the pump is running can damage the Control Valve, which may cause personal injury or property damage.

How to Use the Control Valve:

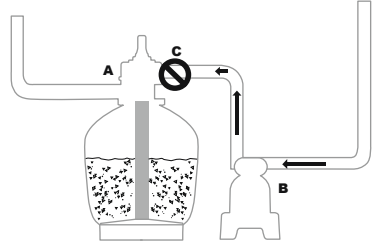
Press down on the Control Valve handle and rotate to desired function.



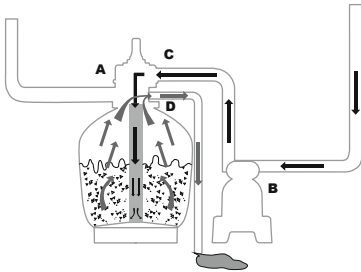
▶ Filter: This function is used to filter pool water and should be positioned here 99% of the time. Water is pumped through the sand filter, where it is cleaned and returned to the pool.



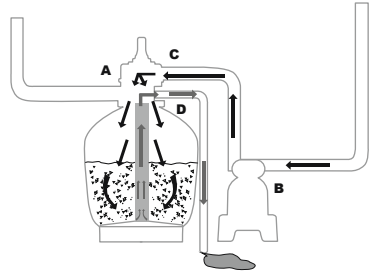
✕ Closed: This function stops water flowing between the sand filter and the pool.



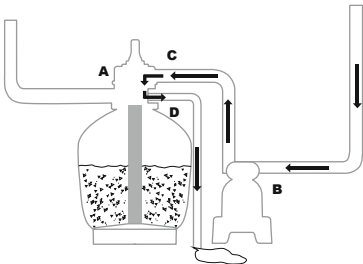
◀ Backwash: This function is used to clean the sand bed; water is pumped down through the Collector Hub, upwards through the sand bed, and deposited out of Port D.



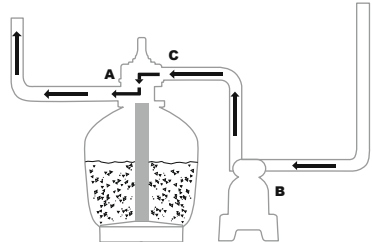
💧 Rinse: This function for initial startup, cleaning, and sand bed leveling after Backwash; water is pumped downwards through the sand bed, up through the Collector Hub and deposited out of the valve Port D.



☹ Drain: This function drains water from the pool; another filter bypass setting, water is pumped and deposited out of Port D, instead of returning it to the pool.



↻ Circulate: This function circulates pool water bypassing the sand filter; use this function if the filter is broken to collect debris in the Debris Screens.



NOTE:

- Be sure all provisions for wastewater disposal meet applicable local, state or national codes. Do not discharge water where it will cause flooding or damage.
- When the Control Valve is set to the Backwash, Rinse, or Drain position, water will discharge from Port D on the Control Valve.

- Do not switch on or operate the sand filter with the Control Valve set to the Closed function or it will seriously damage the sand filter.
- Do not set the Control Valve between two functions, or it will lead to leaking.
- To avoid water leakage, screw the Port D Cap onto the Control Valve Port D before operating the filter or circulate function.

Air Release

Press down the control valve handle and wait until the water flow from Port D to release the air.

NOTE: It is important to repeat this operation every time you start the pump after winterizing, maintenance and backwashing the sand bed.

FIRST TIME USE INSTRUCTIONS

Backwash and Rinsing must be performed to prepare the pump for its first use and to wash the sand.



CAUTION: DO NOT DRY RUN THE SAND FILTER

1. Press down on the Control Valve handle and rotate to the Backwash function.
2. Plug in and run the sand filter for 3-5 minutes, or until the water runs clear.
3. Switch off the sand filter and set the Control Valve to the Rinse function.
4. Switch on the sand filter and run the sand filter for 1 min. This circulates water backwards through the sand filter and drains water out Port D.
5. Switch off the sand filter. Set the Control Valve to the Closed function.
6. Top up pool water if required.

IMPORTANT: This procedure removes water from the pool, which you'll need to replace. Switch off the sand filter immediately if water levels near the pool's Inlet and Outlet valves.

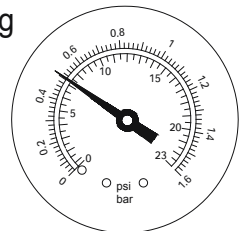
1. Now the sand filter is ready for use. Set the Control Valve to the Filter function.

NOTE: To prevent the risk of electrical shock dry any excess water from yourself and the sand filter.

IMPORTANT: Before operation, make sure the tank is placed steadily on its base and connected correctly to the pump.

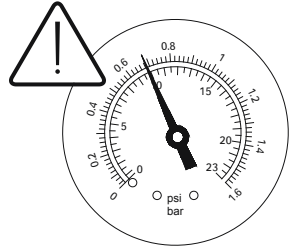
2. Switch on the sand filter to run it.

NOTE: The sand filter has now started its filtering cycle. Check that water is returning to the pool and take note of the filter pressure on Pressure Gauge. Generally, the recommended sand filter pressure is less than 0.56 Bar (8.0 PSI) when it is running.



Sand Filter Maintenance

CAUTION: You must ensure the sand filter is switched off and unplugged before any maintenance begins or severe risk of injury or death exists. As dirt builds up in the sand filter, the pressure reading on Pressure Gauge will increase. When the Pressure Gauge is 0.62 Bar (9.0 PSI) or higher, or water flow to the pool is too low, it is time to clean the sand. To clean the sand bed, follow all instructions outlined previously in : **Backwash and Rinsing.**



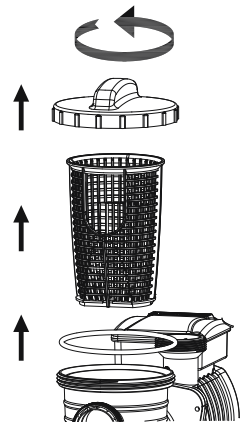
NOTE:

1. The Pressure Gauge is just used for measuring the water pressure, not used for precision measurement.
2. We recommend you clean the sand bed once a month or less regularly depending on how often the pool is used. Do not clean the sand too frequently.

Cleaning the Strainer

1. Switch off the sand filter and set the Control Valve to the Closed function.
2. Close the connection valves.
3. Remove the Strainer Cover by unscrewing it.
4. Take out the Strainer, remove any debris.
5. Put the Strainer back into position. Ensure the hole in the strainer is aligned.
6. Ensure the Seal Ring is in place. Secure the Strainer Cover back.
7. Open the connection valves.

NOTE: The Strainer must be emptied and cleaned periodically. A dirty or blocked strainer will reduce the performance of the sand filter.



Lowering or Draining Pool Water

1. Switch off the sand filter and set Control Valve to the Drain function.
2. Detach the Hose from the connection valve's Port A and sand filter Port A and attach to Port D.
3. Switch on the sand filter to remove pool water.

WARNING: DO NOT DRY RUN THE SAND FILTER.

Winterization and long-term storage

In areas that have freezing winter temperatures, pool equipment must be winterized to protect against damage. Allowing water to freeze will damage the sand filter and void warranty.

1. Backwash the sand filter.
2. Drain the pool according to the pool owner's manual.
3. Unscrew the drain valve cap at the bottom of the tank and release the remaining water.
4. Disconnect the two Hoses from the pool and the sand filter.
5. Completely spill the sand out of the tank and dry all components.
6. Move away sand filter from pool area, store the sand filter in a dry indoor location out of child's reach.

TROUBLESHOOTING		
Problems	Probable Causes	Solutions
Sand is flowing to the pool	<ul style="list-style-type: none"> - Sand is too small - Move the control valve from the backwash to the filter function without stop the sand filter - The level of the sand is too high - The skimmer is broken 	<ul style="list-style-type: none"> - Recommend 0.45 mm to 0.85 mm #20 silica sand - Stop the sand filter every time set the control valve - Check if the level of the sand is between the marked "MAX" and "MIN" on the collector hub - Replace the skimmer
No water flow	<ul style="list-style-type: none"> - Stopper plugs were not removed - Air was not released - The control valve is set to Closed - The strainer is blocked - Sand filter broken 	<ul style="list-style-type: none"> - Remove the stopper plugs and insert the debris screens - Release the air - Set to filter function - Clean the strainer - Call for service
Excessive filter pressure	<ul style="list-style-type: none"> - Dirty filter - Calcified sand bed - Insufficient backwashing - The pressure gauge is broken 	<ul style="list-style-type: none"> - Backwash - Inspect sand and change if necessary - Backwash until water runs clear - Replace the pressure gauge
Control Valve leaks from the port D	<ul style="list-style-type: none"> - Control Valve is set between two functions - The gasket is broken 	<ul style="list-style-type: none"> - Set to one function - Replace the gasket
Connectors leak	<ul style="list-style-type: none"> - Washer of the connectors not in place - Washer of the connectors broken - Loose Hoses 	<ul style="list-style-type: none"> - Reposition the washer - Replace the washer - Tighten them

FILTRO DE AREIA MANUAL DO PROPRIETÁRIO

Visite o canal da Bestway no YouTube 

INSTRUÇÕES DE SEGURANÇA

ATENÇÃO

INSTRUÇÕES DE SEGURANÇA IMPORTANTES LEIA E SIGA TODAS AS INSTRUÇÕES DE SEGURANÇA.

Ao instalar e usar este equipamento elétrico, as precauções básicas de segurança devem ser sempre seguidas, incluindo aquelas citadas a seguir:

- A bomba deve ser equipada com um transformador isolante ou alimentada através de um dispositivo de corrente residual (RCD) com uma tensão de funcionamento residual classificada que não exceda 30 mA.
- A fonte de alimentação na parede do edifício deve estar a mais de 4m de distância da piscina.
- O equipamento deve ser equipado com uma fonte de alimentação com ligação a terra.
- **RISCO DE CHOQUE ELÉTRICO** - A bomba não pode ser utilizada enquanto estiverem pessoas no interior da piscina. Proíba o acesso à piscina caso o filtro de areia se encontre danificado.
- **NÃO ENTERRAR O FIO.** Coloque o fio de modo a evitar danos causados por cortadores de gramas, aparadores e outros equipamentos.
- Para reduzir o risco de choque elétrico, substitua imediatamente o fio danificado.
- Se o fio de alimentação estiver danificado, ele deve ser substituído pelo fabricante, pelo seu agente de serviço ou por pessoas igualmente qualificadas de modo a evitar um dano.
- É proibido o uso de extensões de alimentação.
- Risco de choque elétrico. Usando o filtro de areia em uma fonte elétrica não correspondente é perigoso e danificará permanentemente o filtro de areia.
- Não remova a ponta de aterramento ou modifique em qualquer modo a tomada. Não use adaptadores de tomadas. Consulte um electricista qualificado para quaisquer assuntos relacionado às tomadas ou aterramento.



- Manuseie o filtro de areia com cuidado. Não puxe ou carregue a bomba pela corda do fio de alimentação. Nunca desligue o fio da tomada dando um puxão na corda do fio de alimentação. Evite abrasões no fio de alimentação. O filtro de areia não deve ser exposto a objetos pontiagudos, óleo, peças em movimento e calor.
- Desligue sempre o produto da tomada de saída antes de remover, limpar, fazer manutenção ou fazer qualquer ajuste ao produto.
- Não ligue ou desligue o equipamento com as mãos molhadas
- Desligue sempre o equipamento:
 - em dias chuvosos
 - antes de limpar ou realizar outro tipo de manutenção
 - caso a deixe sem ser utilizada durante as férias
- Quando o aparelho não for utilizado durante um longo período de tempo, como no inverno, o conjunto de piscina deve ser desmontado e armazenado no interior.
- **CUIDADO:** leia as instruções antes de utilizar o aparelho e a cada instalação/nova montagem.
- Instruções de armazenamento. Para reconstrução do conjunto de piscina em cada situação consulte sempre as instruções.
- Caso as instruções estejam em falta, por favor contacte a Bestway ou procure-o no website: www.bestwaycorp.com
- As instalações eléctricas devem seguir as regras nacionais de cablagem. Consulte um electricista qualificado para esclarecer qualquer dúvida.
- **CUIDADO:** Esta bomba deve ser usada somente para piscina desmontáveis. Não a use com piscinas de alvenaria. Uma piscina armazenável é construída de modo que possa ser facilmente desmontada para armazenamento e montada novamente de maneira integral. Uma piscina com instalação permanente é construída em um terreno ou ao interno de um prédio, de modo que não pode ser desmontada para armazenamento.
- Este equipamento pode ser usado por crianças de 8 anos de idade e superior e pessoas com capacidades físicas, sensoriais ou mentais reduzidas ou falta de experiência e conhecimento caso estes recebam supervisão ou instrução sobre o uso do equipamento de forma segura e compreendam os riscos envolvidos. As crianças não devem brincar com o aparelho. A limpeza e manutenção por parte do utilizador não deve ser realizada por crianças sem supervisão. (Para o mercado UE)
- Este aparelho não está concebido para ser utilizado por pessoas (incluindo crianças) com capacidades físicas, sensoriais ou mentais reduzidas ou falta

de experiência e conhecimento, salvo se providos de supervisão ou instrução referente ao uso do aparelho por uma pessoa responsável pela sua segurança. As crianças devem ser supervisionadas para garantir que não brincam com o aparelho. (Para o Mercado externo à UE)

- A limpeza e manutenção devem ser realizadas por um adulto com idade superior a 18 anos e que tenha consciência do risco de choque eléctrico.

NOTA:

- Coloque o filtro de areia em um apoio sólido e nivelado. Favor certificar-se que o filtro de areia está a pelo menos 2 metros afastado da piscina. Mantenha a distância, tanto quanto possível.
- Preste AVISO ao posicionar a piscina e o filtro de areia de modo a ter uma ventilação e drenagem adequadas e acesso disponível para a limpeza. Nunca coloque o filtro de areia em uma área que possa acumular água ou que os movimentos dentro da piscina faça com que a água transborde.
- É necessário ter a tomada acessível após a instalação da piscina. A tomada do filtro de areia deve estar a pelo menos 3,5m afastado da piscina.
- As condições atmosféricas podem afetar o desempenho e a vida útil do filtro de areia; tome precauções adequadas para proteger o filtro de areia do desgaste e usura desnecessários que podem ocorrer em períodos de frio ou calor e/ou exposição ao sol.
- Por favor examine e verifique todos se todos componentes estão presentes antes de usá-los. Notifique à Bestway, por meio dos endereços de assistência ao cliente aqui elencados neste manual, se houver peças danificadas ou faltando no momento da compra.
- É fundamental que todos os componentes deteriorados sejam substituídos o mais rápido possível. Utilize apenas componentes aprovados pelo fabricante.
- Não permite que crianças ou adultos se apoiem ou sentem no aparato.
- Não adicione produtos químicos ao filtro de areia.
- Quando forem utilizados produtos químicos para limpar a água da piscina, recomenda-se que respeite o tempo de filtragem mínima, de acordo com as normas de saúde locais, para proteger a saúde dos utilizadores.
- Apenas os meios fornecidos ou especificados pelo fabricante devem ser utilizados na instalação do produto.
- É fundamental verificar se as aberturas de sucção não estão obstruídas.
- É aconselhável parar a filtração durante as operações de manutenção do sistema de filtração.
- Verifique regularmente o nível de entupimento do filtro.

- Recomenda-se uma verificação semanal para a retrolavagem e limpeza. Recomenda-se um período mínimo diário de filtração de 8 horas, para garantir água límpida na piscina.
- É fundamental substituir qualquer elemento ou conjunto de elementos danificados assim que possível. Utilize apenas componentes aprovados pela pessoa responsável pela colocação do produto no mercado.
- Todos os filtros e meios filtrantes devem ser inspeccionados regularmente para garantir que não existe acumulação de detritos que possam impedir uma boa filtração. A eliminação de qualquer meio filtrante usado deve estar também de acordo com os regulamentos/legislação aplicáveis. Preste atenção a todos os requisitos e recomendações de segurança descritos no manual.
- Em caso de dúvida relativamente à bomba ou qualquer dispositivo de circulação, contacte um instalador qualificado ou o fabricante/importador/distribuidor. A instalação de circulação de água deve respeitar os regulamentos Europeus, assim como os locais/nacionais, especialmente no referente a questões eléctricas. Qualquer alteração na posição da válvula, no tamanho da bomba e no tamanho da grelha pode provocar uma mudança do fluxo, e a velocidade de sucção pode aumentar.
- Este produto não é destinado para uso comercial.

Por favor leia cuidadosamente o manual de instruções e guarde para referência futura.

GUARDE ESTAS INSTRUÇÕES

DESCARTE



Significado do cesto de lixo marcado com uma cruz:

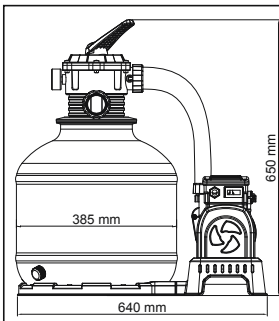
■ Não jogue as aparelhagens eléctricas no lixo normal que é recolhido, mas jogue-o em cestas de coleta apropriadas.

Contate o órgão governamental local para informações apropriadas no que diz respeito aos sistemas de coleta disponíveis.

Se as aparelhagens eléctricas forem jogadas em um depósitos ou descargas, substâncias perigosas podem vaziar para os lençóis freáticos e entrar na cadeia alimentar, causando problemas à sua saúde e bem estar.

Ao substituir antigas aparelhagens com novas, o revendedor é legalmente obrigado a retirar a velha aparelhagem para eliminação sem custo adicional.

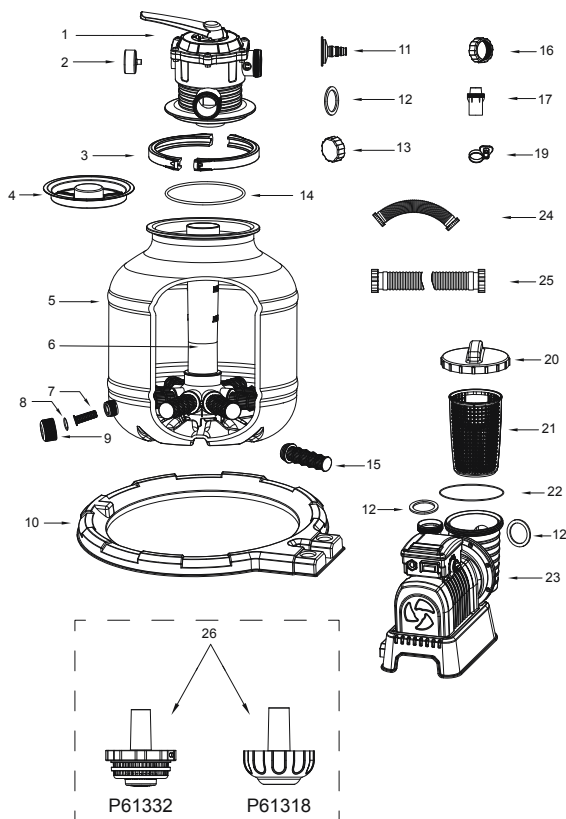
ESPECIFICAÇÕES



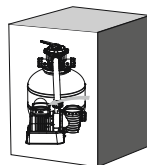
Diâmetro do filtro:	385 mm
Área efetiva do filtro:	0.11 m ² (1.18 ft ²)
Máx. Pressão operacional:	1.59 Bar (23 PSI)
Pressão de funcionamento do filtro de areia:	<0.55 Bar (8 PSI)
Máx. Temperatura da água:	35°C
Areia:	Não incluída
Dimensão da Areia:	Areia sílica #20, 0.45-0.85 mm.
Capacidade da Areia:	Aproximadamente 36 kg

VISÃO GERAL DE REFERÊNCIA DAS PEÇAS

Antes de montar o filtro de areia, gaste alguns minutos para se familiarizar bem com todas as peças do filtro de areia.



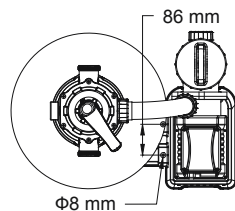
A



REF. NR.	PEÇA SOBRESSALENTE NR	A
1	P03831	1
2	P61138ASS16	1
3	P03832	2
4	P61209ASS16	1
5	P03843	1
6	P03844	1
7	P61211ASS16	1
8	P6581ASS16	1
9	P6580ASS16	1
10	P03845	1
11	P6614ASS16	1
12	P6029ASS16	5
13	P03830	1
14	P61214ASS16	1
15	P61210ASS16	8
16	P03829	1
17	P6916ASS16	2
19	P6124ASS16	2
20	P6561ASS16	1
21	P6562ASS16	1
22	P6563ASS16	1
23	P03814(EU)/P03816(GB)	1
24	P03849	1
25	P6518ASS16	2
26	P61322ASS16	1
	P61318ASS16	1

Montagem (Você irá precisar de uma chave de fendas.)

1. Remova cuidadosamente todos os componentes da embalagem e verifique que cada tenha sido danificado. Se o equipamento estiver danificado, notifique imediatamente o revendedor do estabelecimento onde o equipamento foi comprado.
2. O filtro de areia deve ser colocado em um lugar sólido, nivelado e de preferência em uma base de concreto. Posicione o filtro de areia de modo que as portas e a válvula de controle estejam acessíveis para a operação, manutenção e adaptação para o inverno.
3. O padrão de TESTE EN60335-2-41 exige que o filtro de areia seja fixado verticalmente no chão, ou em um pedestal feito de madeira ou concreto, antes do uso, para evitar uma queda acidental do filtro de areia. Totalmente montado o filtro de areia tem mais de 18kg. Os orifícios de montagem devem ser de 8mm de diâmetros e com espaços de 86mm. Use dois parafusos e porcas com um máximo de 8mm de diâmetro para apertar o filtro de areia no pedestal.



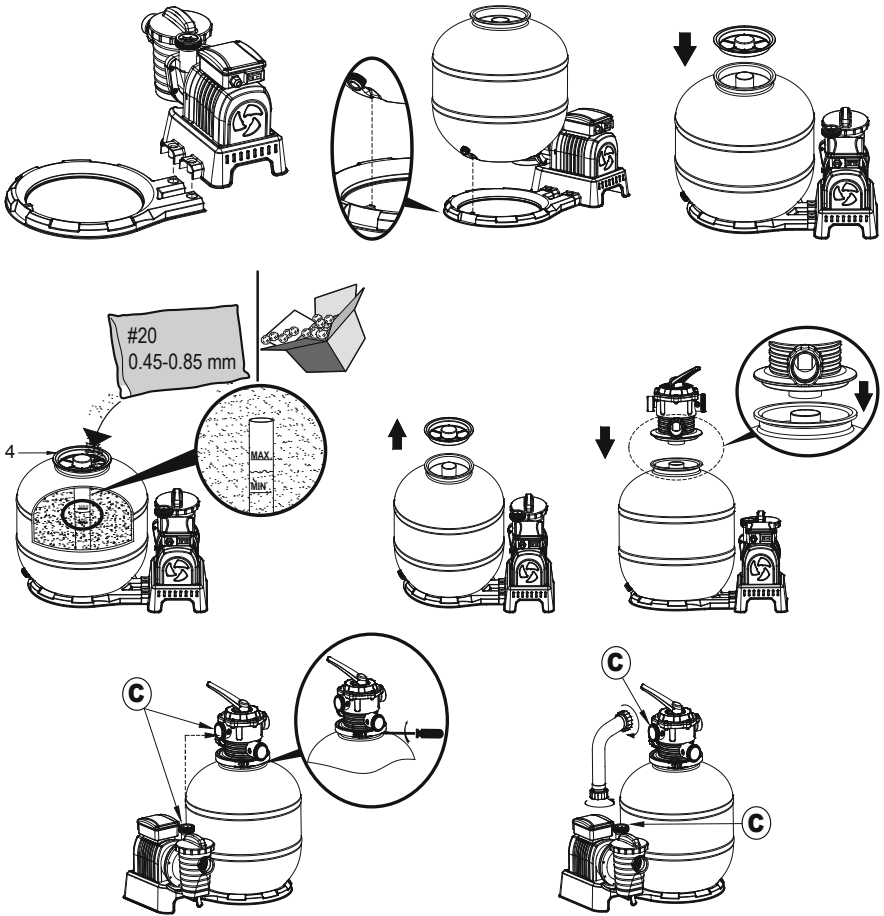
Coloque a areia de filtro para piscina/poli esferas Flowclear™.

NOTA: Use somente areia para filtros especiais para piscinas, sem calcário ou argila: #20 areia sílica 0.45- 0.85mm, aproximadamente um saco de 36kg será suficiente. Se não utilizar o tamanho recomendado de filtro de areia, o desempenho de filtragem será reduzido e o filtro de areia pode ficar danificado, invalidando, portanto, a garantia.

NOTA: Para evitar danificar a escumagem ao adicionar a areia, coloque um pouco de água dentro do tanque inferior de modo a cobrir a escumagem no cubo do coletor.

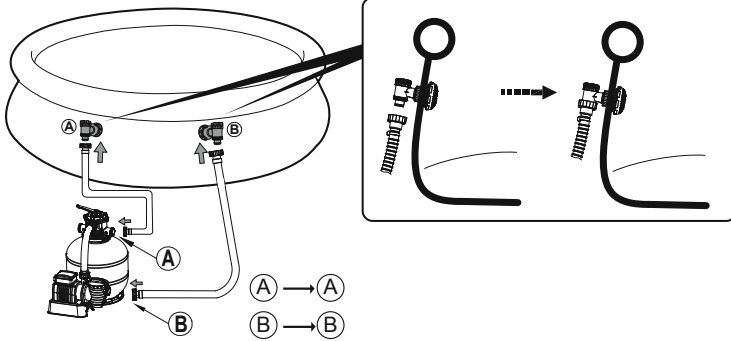
NOTA: A areia/poli esferas Flowclear™ não estão incluídas.

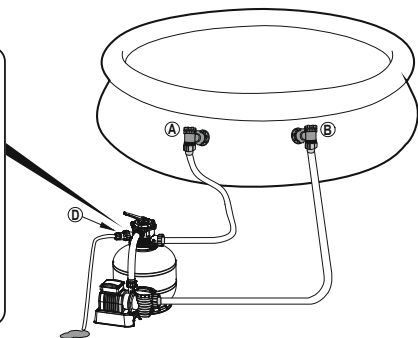
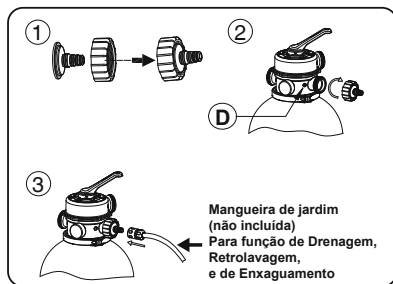
NOTA: Utilize 28 g de poli esferas Flowclear™ para substituir 1 kg de areia.



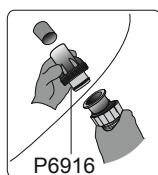
Ligue à piscina

1

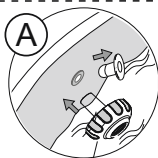


2

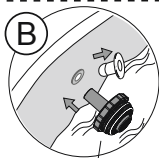
Para piscinas com válvula de 32mm(1.25pol.)



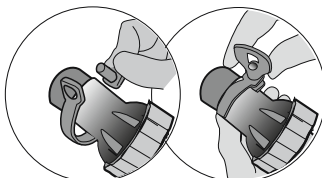
P6916



P61318



P61322

**PARE**

Antes de ligar, por favor leia atentamente o manual.

FUNCIONAMENTO

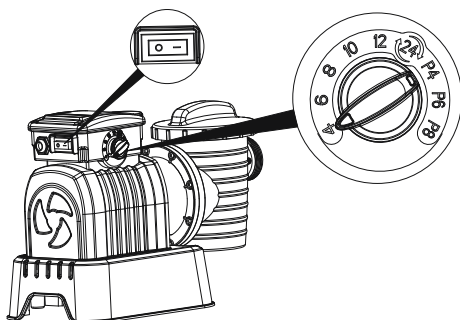
Temporizador

1. Ligue à fonte de alimentação, ajuste o interruptor de alimentação para a posição "ON" (-). O filtro de areia começa a trabalhar imediatamente.
2. Ajuste o interruptor de alimentação para a posição "OFF" (0). O filtro de areia para de trabalhar imediatamente.
3. Depois de ligar, pode ajustar o tempo de operação, tempo de pausa e tempo de ciclo rodando o botão para a posição desejada. Ver a tabela em baixo para mais pormenores.
4. Quando o botão do temporizador é movido para a nova posição, o ciclo anterior do filtro cancela automaticamente

de forma a começar um novo ciclo.

5. De cada vez que o filtro é ligado ou reiniciado, começa um ciclo novo com base na posição do botão do temporizador.

NOTA: Se o botão estiver ajustado para a posição das 24 horas (24), o filtro de areia irá funcionar continuamente sem qualquer período de pausa.



Pos. do botão	Tempo de operação (H)	Tempo de pausa (H)	Período de ciclo (H)
4	4	20	24
6	6	18	24
8	8	16	24
10	10	14	24
12	12	12	24
24	24	0	24
P4	4	4	8
P6	6	6	12
P8	8	8	16

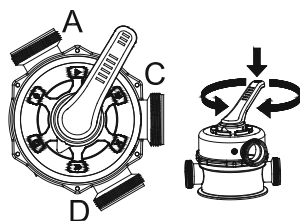
VISÃO GERAL DA VÁLVULA DE CONTROLE

ATENÇÃO: Para evitar danos ao equipamento e possivelmente riscos, desligue sempre a bomba do filtro de areia antes de mudar a função da válvula de controle.

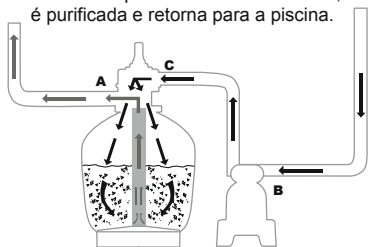
Mudar as posições das válvulas enquanto a bomba estiver funcionamento pode danificar a válvula de controle, o que pode causar danos pessoais ou danos à propriedade.

Como usar a válvula de controle

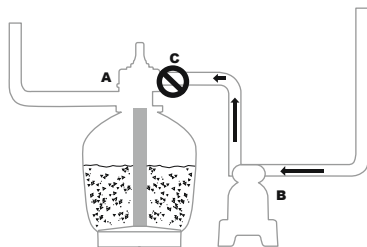
Pressione o manípulo da válvula de controle e gire na função desejada.



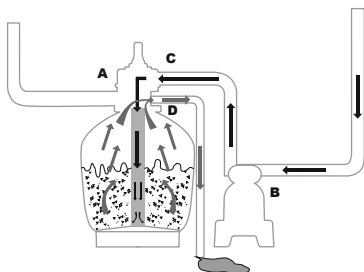
Filtragem: Esta função é usada para filtrar a água da piscina e deve ser posicionada aqui 99% das vezes. A água é bombeada por meio do filtro de areia, onde é purificada e retorna para a piscina.



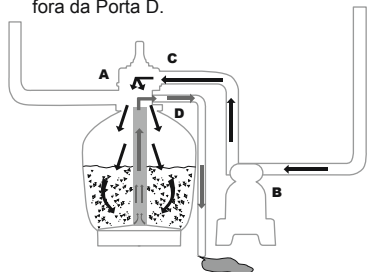
Fechamento: Esta função interrompe o fluxo de água entre o filtro de água e a piscina.



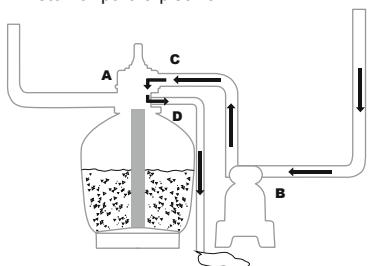
Retorno: Esta função é usada para limpar a camada de areia; a água é bombeada através do cubo de conexão, para cima, por meio da camada de areia e depositada fora da Porta D.



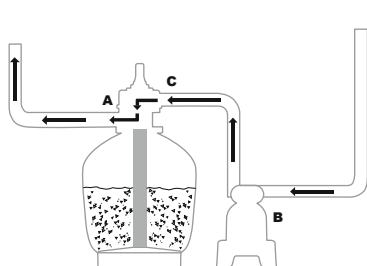
Enxágue: Esta função para a partida inicial, limpeza e nivelamento da camada de areia após o retorno; a água é bombeada através do cubo de conexão, para baixo, por meio da camada de areia e depositada fora da Porta D.



Drenagem: Esta função drena a água da piscina; um outro filtro de regulagem de passagem, a água é bombeada e depositada fora da Porta D ao invés de retornar para a piscina.



Circulação: Esta função circula pela água da piscina passando pelo filtro de areia; use esta função se o filtro estiver quebrado para coletar detritos com a tela de detritos.



NOTA:

- Certifique-se que todas as provisões para o descarregamento da água respeitem as leis locais, estaduais e nacionais. Não descarregue a água onde possa causar entupimento ou danos.
- Quando a válvula de controle está regulada para retornar, enxaguar ou na posição de drenagem, a água descarregará da Porta D na válvula de controle.

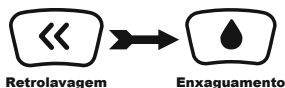
- Não conecte ou opere o filtro de areia com a válvula de controle configurada na função fechada ou o filtro de areia pode ser seriamente danificado.
- Não deixe a válvula de controle entre duas funções, ou ela vazará.
- Para evitar fugas de água, aparafuse a Tampa da Porta D à Porta D da Válvula de Controle antes de operar o filtro ou a função de circulação.

Libertação do Ar

Pressione o manípulo da válvula de controle e aguarde até que a água flua da Porta D para libertar o ar.

NOTA: É importante repetir esta operação de cada vez que inicie a sua bomba depois de a preparar para o inverno, fizer a manutenção e lavar a cama de areia.

INSTRUÇÕES NA PRIMEIRA UTILIZAÇÃO



A Retrolavagem e Enxaguamento devem ser efetuados para preparar a bomba para a sua primeira utilização e para lavar a areia.

CUIDADO: NÃO OPERE O FILTRO DE AREIA A SECO

1. Pressione para baixo no manípulo da Válvula de Controle e rode para a função Retrolavagem.
2. Ligue e opere o filtro de areia durante 3-5 minutos, ou até que a água flua limpa.
3. Desligue o filtro de areia e configure a Válvula de Controle para a função Enxaguar.
4. Ligue o filtro de areia e opere o filtro de areia durante 1 min. Isto circula água para trás através do filtro de areia e drena água pela Porta D.
5. Desligue o filtro de areia. Configure a Válvula de Controle para a função Fechada.
6. Reponha a água da piscina se necessário.

IMPORTANTE: Este procedimento remove água da piscina, que terá de repôr.

Desligue o filtro de areia imediatamente se os níveis da água se aproximarem das válvulas de Entrada e Saída da piscina.

1. Agora o filtro de areia está pronto para ser usado. Coloque a válvula de controle na função de filtragem.

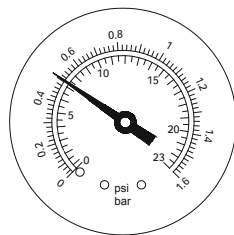
NOTA: Para evitar o risco de choque elétrico, enxugue você mesmo o seu excesso de água e o do filtro de areia.

IMPORTANTE: Antes do funcionamento, certifique-se que o tanque está assente de forma estável na sua base e ligue à bomba correctamente.

2. Ligue o filtro de areia para este funcionar.

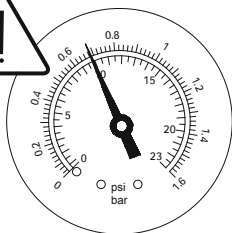
NOTA: O filtro de areia iniciou o ciclo de filtragem. Verifique se a água está retornando para a piscina e controle a pressão do filtro no indicador de pressão.

Geralmente, a pressão recomendada para o filtro é inferior a 0.56Bar (8.0PSI) quando está funcionando.



Manutenção do Filtro de Areia

CUIDADO: Você deve assegurar-se que o filtro de areia está desligado e desconectado antes do início de qualquer serviço de manutenção de forma a evitar qualquer risco de ferimentos graves ou de morte. Conforme a sujeira se acumula no filtro de areia, a leitura de pressão no Manómetro de Pressão irá aumentar. Quando o Manómetro de Pressão mede 0,62Bar (9,0 PSI) ou superior, ou o fluxo de água para a piscina é muito baixo, está na altura de limpar a areia. Para limpar o leito de areia, siga todas as instruções descritas anteriormente em: **Retrolavagem e Enxaguamento.**



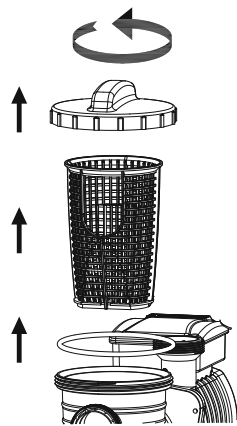
NOTA:

1. O manómetro de pressão serve apenas para fins de manutenção, e o valor de pressão do manómetro serve apenas como referência, não deve ser utilizado como um instrumento de precisão.
2. Recomendamos que limpe a cama de areia uma vez por semana ou menos regularmente, dependendo da frequência com que a piscina é utilizada. Não limpe a areia com demasiada frequência.

Limpendo o filtro

1. Desconecte o filtro de areia e regule a válvula de controle para a função fechada.
2. Substitua os Ecrãs de Detritos por Tampões para evitar que a água escape.
3. Remova a tampa do filtro desapertando-a.
4. Retire o filtro, remova qualquer detrito.
5. Coloque o filtro de volta na posição. Garanta que o orifício no filtro esteja alinhado.
6. Garanta o anel de vedação está no lugar. Aparafuse a tampa do filtro de novo.
7. Remova os Tampões e insira os Ecrãs de Detritos.

NOTA: O filtro deve ser esvaziado e limpo periodicamente. Um filtro sujo ou entupido reduzirá o funcionamento do filtro de água.



Redução ou Drenagem da Água da Piscina

1. Desligue o filtro de areia e configure a Válvula de Controlo para a função Drenar.
2. Desligue a Mangueira da Porta A da piscina e da Porta A do filtro de areia e prenda-a à Porta D.
3. Ligue o filtro de areia para operar o filtro e remover a água da piscina.

ATENÇÃO: NÃO OPERE O FILTRO DE AREIA A SECO.

Protecção para o Inverno e armazenamento prolongado

Em zonas com temperaturas de Inverno abaixo do congelamento, o equipamento da piscina deve ser protegido contra as intempéries de forma a protegê-lo contra os danos.


Se permitir que a água congele, irá danificar o filtro de areia e anulará a garantia.

1. Realize a retrolavagem do filtro de areia.
2. Esvazie a piscina de acordo com o manual do utilizador.
3. Desaparafuse a tampa da válvula de drenagem no fundo do tanque e liberte a água restante.
4. Desconecte as duas mangueiras da piscina e do filtro de água.
5. Retire completamente a areia do tanque e seque todos os componentes.
6. Armazene o filtro de areia em um lugar seco for a do alcance das crianças.

RESOLUÇÃO DE PROBLEMAS

Problemas	Causas Possíveis	Soluções
Está a fluir areia para a piscina	<ul style="list-style-type: none">- A areia é demasiado pequena- Mova a válvula de controlo da função de lavagem para a função de filtro sem parar o filtro de areia- O nível de areia é demasiado alto- O skimmer estava partido	<ul style="list-style-type: none">- Recomendada areia de sílica 0.45mm a 0.85mm #20- Pare o filtro de areia sempre que configurar a válvula de controlo- Verifique se o nível de areia está entre o "MÁX" e "MIN" marcados no eixo- Substitua o skimmer
Não existe fluxo de água	<ul style="list-style-type: none">- Os tampões não foram removidos- O ar não foi libertado- A válvula de controlo foi configurada para a posição Fechada- O ecrã estava bloqueado- Filtro de areia avariado	<ul style="list-style-type: none">- Remova os tampões de bloqueio e insira os ecrãs de detritos- Liberte o ar- Configure para a função filtro- Limpe o ecrã- Contacte a assistência
Pressão excessiva no filtro	<ul style="list-style-type: none">- Filtro sujo- Cama de areia calcificada- Retrolavagem insuficiente- O manómetro de pressão estava partido	<ul style="list-style-type: none">- Retrolavagem- Inspeccione a areia e troque caso seja necessário- Execute a retrolavagem até que o efluente corra límpido- Substitua o manómetro de pressão
Fugas da Válvula de Controlo da porta D	<ul style="list-style-type: none">- A Válvula de Controlo foi configurada entre duas funções- O vedante estava partido	<ul style="list-style-type: none">- Configure para uma função- Substitua o vedante
Fugas nos conectores	<ul style="list-style-type: none">- A anilha dos conectores não estava no seu lugar- Anilha dos conectores partida- Mangueiras desapertadas	<ul style="list-style-type: none">- Volte a posicionar a anilha- Substitua a anilha- Aperte-as

FILTRO DE ARENA MANUAL DE INSTRUCCIONES

Visite el canal de YouTube de Bestway 

INSTRUCCIONES DE SEGURIDAD



¡ADVERTENCIA

INSTRUCCIONES DE SEGURIDAD IMPORTANTES LEA Y RESPETE TODAS LAS INSTRUCCIONES DE SEGURIDAD.

Cuando instale y use este equipamiento eléctrico, deben respetarse siempre las precauciones de seguridad básicas, incluyendo las siguientes:

- La bomba debe estar equipada con un transformador aislante o recibir alimentación eléctrica a través de un dispositivo diferencial residual (RCD) con una intensidad de corriente de régimen nominal no superior a 30 mA.
- La toma de corriente de pared del edificio debe encontrarse a más de 4 m de la piscina.
- El aparato debe estar equipado con una fuente de alimentación con toma de tierra.
- **RIESGO DE DESCARGA ELÉCTRICA** - La bomba no se puede poner en marcha mientras haya personas en el interior de la piscina. Prohibido el acceso a la piscina si el filtro de arena está dañado.
- **NO ENTIERRE EL CABLE.** Sitúe el cable en un lugar adecuado para evitar que lo dañen las cortadoras de césped, cizallas para cortar setos, y cualquier otro equipamiento similar.
- Para reducir el riesgo de descarga eléctrica, sustituya el cable dañado inmediatamente.
- Si el cable de suministro está dañado, debe ser sustituido por el fabricante, su agente de servicio o una persona con una cualificación similar para evitar cualquier accidente.
- Prohibido el uso de cables de prolongación.
- Riesgo de descarga eléctrica. Usar el filtro de arena con un suministro eléctrico que no corresponda con el indicado es peligroso y puede dañar de manera permanente el filtro de arena.
- No quite la toma de tierra ni modifique de ninguna manera el enchufe. No use adaptadores para enchufes. Consulte con un técnico electricista cualificada para cualquier cuestión relacionada con los enchufes o las tomas de tierra.

- Maneje el filtro de arena con cuidado. No lleve ni tire del filtro de arena desde el cable de alimentación. No saque nunca el enchufe de la toma tirando del cable de alimentación. Mantenga el cable sin quemaduras. No debe exponerse el filtro de arena a objetos afilados, aceite, partes en movimiento y el calor.
- Desenchufe siempre este producto de la toma eléctrica antes de quitar, limpiar, efectuar operaciones de mantenimiento o realizar cualquier tipo de ajuste en el producto.
- No enchufe ni desenchufe el aparato con las manos húmedas.
- Desenchufe siempre el aparato:
 - en días lluviosos,
 - antes de limpiar o realizar otras operaciones de mantenimiento,
 - si queda sin supervisión durante las vacaciones
- Cuando el aparato no se vaya a utilizar durante un tiempo (por ejemplo, en invierno), el kit de piscina debe guardarse en el interior.
- **PREPARACIÓN:** Lea las instrucciones antes de usar el aparato, durante la instalación/un nuevo montaje.
- Guarde las instrucciones en un lugar seguro. Consulte siempre las instrucciones cuando deba volver a montar la piscina.
- En caso de perder las instrucciones, póngase en contacto con Bestway o realice una búsqueda en la página web: www.bestwaycorp.com
- Las instalaciones eléctricas deben cumplir la normativa nacional en materia de cableado. Póngase en contacto con un electricista calificado para resolver cualquier duda.

PREPARACIÓN: Este filtro de arena puede usarse sólo con piscinas que se guardan. No lo use con piscinas instaladas de manera permanente. Una piscina que se puede guardar se fabrica de manera que se puede desmontar rápidamente para guardarla y volver a montarla de nuevo. Una piscina instalada de manera permanente dentro del suelo o sobre el mismo o en una construcción no puede ser desmontada para guardarla.

- Este aparato puede ser utilizado por niños mayores de 8 años y personas con capacidades físicas, sensoriales o mentales disminuidas o con falta de experiencia y conocimiento si cuentan con la supervisión adecuada o reciben instrucciones precisas respecto al uso del aparato de una forma segura y comprenden los riesgos asociados. No permita que los niños jueguen con el aparato. Las operaciones de limpieza y mantenimiento no deben ser realizadas por niños sin supervisión. (Para el mercado de la UE)
- Este aparato no está pensado para ser utilizado por personas (incluidos niños) con capacidades físicas, sensoriales o mentales reducidas o con falta

de experiencia y conocimiento, a no ser que sea bajo supervisión o después de recibir instrucciones precisas respecto al uso del aparato de una persona responsable de su seguridad. En presencia de niños, mantenga el aparato bajo control para evitar que jueguen con él. (Solo para mercados distintos de la UE)

- La limpieza y el mantenimiento son operaciones que deberá realizar un adulto mayor de 18 años familiarizado con el riesgo de descargas eléctricas.

NOTA:

- Sitúe el filtro de arena en un lugar sólido y nivelado. Asegúrese de que el filtro de arena está a al menos dos metros del lado de la piscina. Aléjelo lo máximo posible.
- Preste atención a la posición de la piscina y del filtro de arena, de manera que se asegure una ventilación, drenaje y acceso adecuados durante las operaciones de mantenimiento. No sitúe nunca el filtro de arena en un área que pueda acumular agua, o en un camino donde haya mucho tránsito de personas.
- Es necesario poder acceder al enchufe después de la instalación de la piscina. El enchufe del filtro de arena debe estar a al menos 3,5 m de la piscina.
- Las condiciones atmosféricas pueden afectar al rendimiento y la duración del filtro de arena; tome las medidas necesarias para proteger el filtro de arena de un desgaste innecesario y de roturas que podrían producirse durante los periodos de calor o frío y/o debido a la exposición al sol.
- Por favor, examine y compruebe todos los componentes del filtro de arena antes del uso. Notifique al servicio al cliente de Bestway en la dirección indicada en este manual cualquier pieza que falte o esté dañada en el momento de la compra.
- Es imprescindible cambiar todas las piezas deterioradas tan pronto como sea posible. Utilice únicamente piezas especificadas por el fabricante.
- No permita que los niños o los adultos se sienten o se apoyen en el aparato.
- No añada productos químicos al filtro de arena.
- Cuando utilice productos químicos para limpiar el agua de la piscina, es recomendable respetar el tiempo mínimo de filtrado para proteger la salud de los nadadores, lo que depende del cumplimiento de las normas sanitarias.
- Para la instalación del producto solo deben utilizarse los materiales proporcionados o especificados por el fabricante.
- Es fundamental comprobar que las aperturas de succión no estén obstruidas.
- Es aconsejable detener el filtrado durante las operaciones de mantenimiento del sistema de filtrado.

- Compruebe regularmente el nivel de obstrucción del filtro.
- Se recomienda realizar un control semanal para limpiarlo. El tiempo de funcionamiento diario mínimo recomendado para garantizar la limpieza del agua de la piscina es de 8 horas.
- Es fundamental cambiar cualquier pieza o conjunto de piezas dañadas lo antes posible. Utilice solo piezas aprobadas por la persona responsable de poner este producto en el mercado.
- Todos los filtros y medios de filtrado deben ser comprobados regularmente para garantizar que no haya una acumulación de residuos y garantizar la buena calidad del filtrado. La eliminación de cualquier medio de filtrado debe efectuarse de acuerdo con las normativas/leyes aplicables.
- Preste atención a todos los requisitos y recomendaciones del presente manual. En caso de duda acerca de la bomba o sobre cualquier dispositivo de circulación, póngase en contacto con un instalador cualificado o con el fabricante/importador/distribuidor. La instalación de circulación del agua debe cumplir con las normativas europeas, nacionales y locales, especialmente por lo que respecta a asuntos eléctricos. Cualquier cambio de posición de la válvula, del tamaño de la bomba o del tamaño de la rejilla podría causar un cambio en el caudal y la velocidad de succión podría aumentar.
- Este producto no ha sido diseñado para un uso comercial.

Lea atentamente el manual de instrucciones y guárdelo para futuras consultas.

CONSERVE ESTAS INSTRUCCIONES

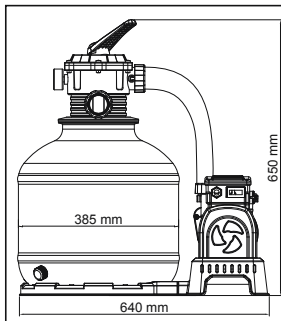
ELIMINACIÓN



Significado de la papelera tachada con ruedas:

— No tire los aparatos eléctricos con los residuos municipales no clasificados, use los sistemas de recogida separada. Póngase en contacto con las autoridades municipales para conocer los sistemas de recogida disponibles. Si se tire los aparatos eléctricos en vertederos o en descargas, las sustancias peligrosas pueden llegar a las corrientes de agua e introducirse en la cadena alimentaria, dañando su salud y bienestar. Cuando sustituya los aparatos antiguos, el vendedor está legalmente obligado a recoger su antiguo aparato para su correcta eliminación sin ningún cargo adicional.

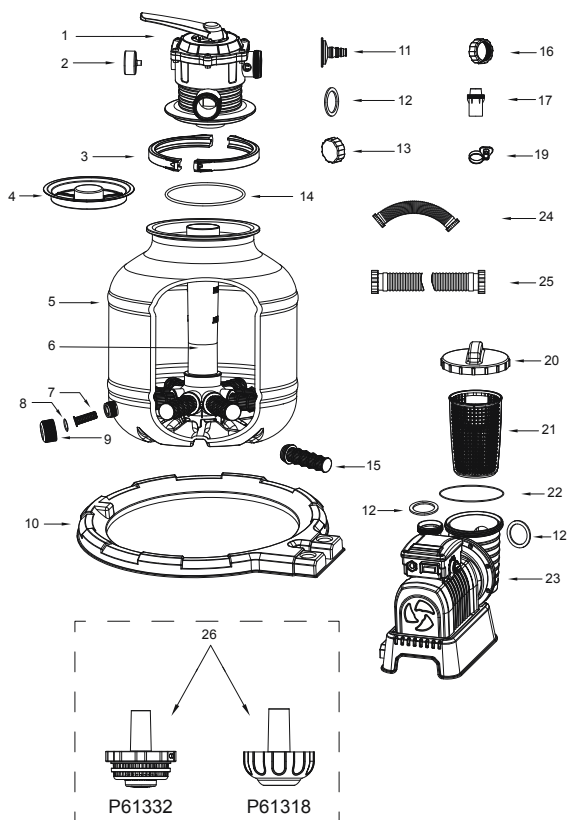
ESPECIFICACIONES



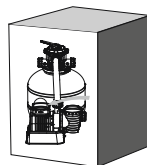
Diámetro del filtro:	385 mm
Área de filtrado efectiva:	0.11 m ² (1.18 ft ²)
Presión de funcionamiento máx:	1.59 Bar (23 PSI)
Presión de filtrado de arena de funcionamiento:	<0.55 Bar (8 PSI)
Temperatura del agua máx:	35°C
Arena:	No incluida
Tamaño de la arena:	#20 arena silíce, 0,45-0,85 mm
Capacidad de arena:	36kg aproximadamente

VISTA GENERAL DE REFERENCIA DE LAS PARTES

Antes de montar el filtro de arena, tome unos minutos para familiarizarse con todas las piezas del filtro de arena.



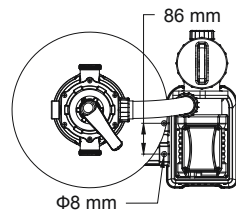
A



Nº REF.	Nº PIEZA RECAMBIO	A
1	P03831	1
2	P61138ASS16	1
3	P03832	2
4	P61209ASS16	1
5	P03843	1
6	P03844	1
7	P61211ASS16	1
8	P6581ASS16	1
9	P6580ASS16	1
10	P03845	1
11	P6614ASS16	1
12	P6029ASS16	5
13	P03830	1
14	P61214ASS16	1
15	P61210ASS16	8
16	P03829	1
17	P6916ASS16	2
19	P6124ASS16	2
20	P6561ASS16	1
21	P6562ASS16	1
22	P6563ASS16	1
23	P03814(EU)/P03816(GB)	1
24	P03849	1
25	P6518ASS16	2
26	P61322ASS16	1
	P61318ASS16	1

Montaje (Se requiere un destornillador.)

1. Saque con cuidado todos los componentes del paquete y compruebe que ninguno está dañado. Si el equipamiento está dañado, notifíquelo inmediatamente al vendedor donde ha comprado el equipamiento.
2. El filtro de arena debe situarse en un lugar sólido y nivelado, preferiblemente en una losa de cemento. Coloque el filtro de arena de manera que se pueda acceder a los puertos y la válvula de control para efectuar el funcionamiento, operaciones de mantenimiento y protección durante el invierno.
3. El EN60335-2-41 TEST requiere que el filtro de arena esté fijado verticalmente al suelo y colocada sobre un pedestal de madera o de cemento antes de ser utilizado para evitar que el filtro de arena pueda caer accidentalmente. Una vez montado, el filtro de arena tiene un peso superior a 18 kg. Los agujeros de montaje deben tener un diámetro de 8mm y un espacio de 86mm entre ellos. Utilice dos tornillos y tuercas de un diámetro máximo de 8mm para asegurar el filtro de arena al pedestal.



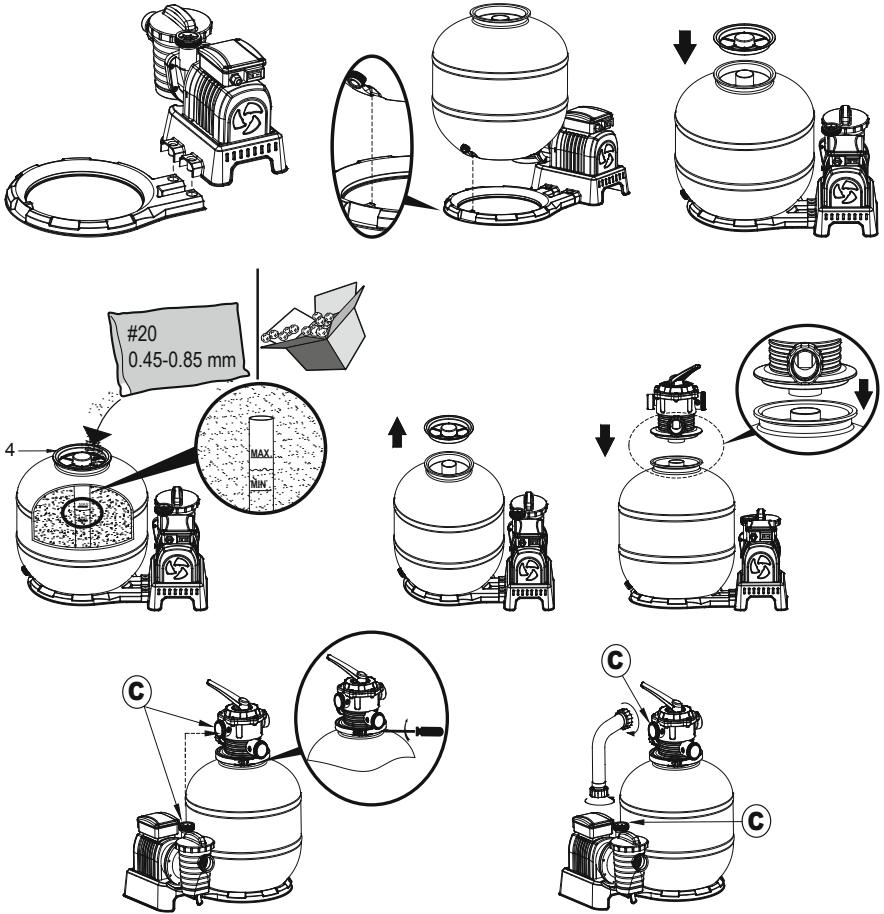
Cargue el filtro de piscina de arena/bolas filtrantes Flowclear™ Polysphere.

NOTA: Use sólo la arena de filtrado del tipo indicado, sin caliza ni arcilla: #20 arena silíceas de 0,45-0,85mm, aproximadamente, una bolsa de 36Kg. debería ser suficiente. Si no utiliza un filtro de arena del tamaño recomendado, la eficacia de filtrado se verá reducida y el filtro de arena podría sufrir daños, dejando la garantía sin validez.

NOTA: Para evitar dañar el skimmer al añadir la arena, eche un poco de agua en el depósito inferior para sumergir el skimmer en el casquillo de recogida.

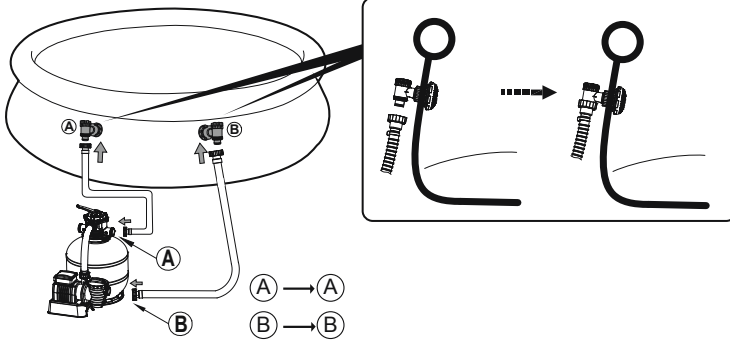
NOTA: no se incluye la arena ni las bolas filtrantes Flowclear™ Polysphere.

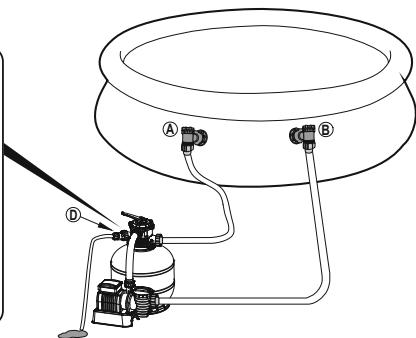
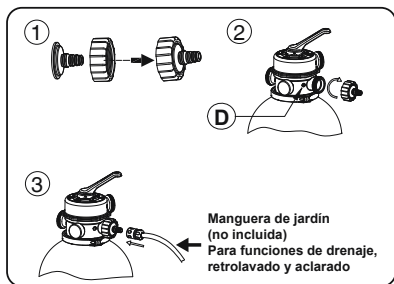
NOTA: use 28 g (0,06 lbs) de bolas filtrantes Flowclear™ Polysphere para reemplazar 1 kg (2,20 lbs) de arena.



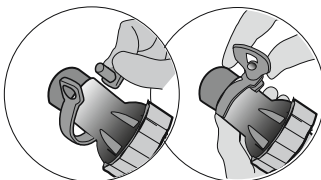
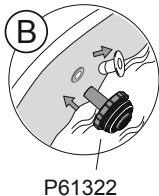
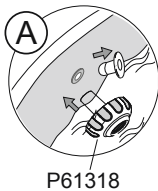
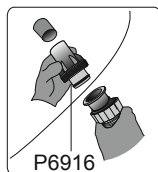
Conexión a la piscina

1



2

Para piscinas con válvula de 32mm (1,25 pul)



ALTO

Lea atentamente el manual de instrucciones antes de enchufar el producto.

FUNCIONAMIENTO

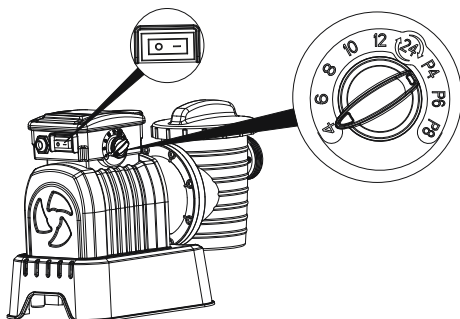
Temporizador

1. Conecte a la fuente de alimentación, lleve el interruptor de encendido a la posición de encendido "ON" (-). El filtro de arena comienza a funcionar inmediatamente.
2. Lleve el interruptor de encendido a la posición de apagado "OFF" (0). El filtro de arena detiene inmediatamente su funcionamiento.
3. Después del encendido, es posible programar el tiempo de funcionamiento, el tiempo de pausa y el tiempo del ciclo llevando la perilla a la posición deseada. Consulte los detalles en la tabla de abajo.
4. Cuando la perilla del temporizador se lleva a una posición nueva, el ciclo previo del filtro se cancela

automáticamente y comienza el ciclo nuevo.

5. Cada vez que se enciende o se reenciende el filtro, comienza un ciclo nuevo de acuerdo con la posición de la perilla del temporizador.

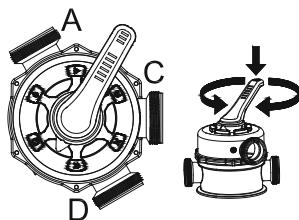
NOTA: si la perilla se coloca en la posición de 24 horas (24), el filtro de arena funciona continuamente sin periodo de pausa.



Posición de la perilla	Tiempo de funcionamiento (H)	Tiempo de pausa (H)	Periodo del ciclo (H)
4	4	20	24
6	6	18	24
8	8	16	24
10	10	14	24
12	12	12	24
24	24	0	24
P4	4	4	8
P6	6	6	12
P8	8	8	16

VISTA GENERAL DE LA VÁLVULA DE CONTROL

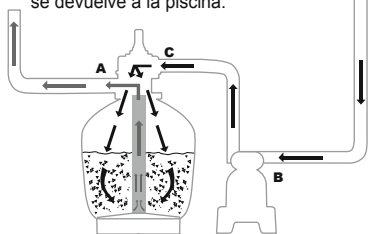
ADVERTENCIA: Para evitar daños al equipo o heridas a las personas, desenchufe cada vez la bomba del filtro de arena antes de cambiar la función de la válvula de control. Si se cambia las posiciones de la válvula mientras la bomba está en funcionamiento, se puede dañar la válvula de control, lo que puede provocar heridas a personas o daños a los objetos.



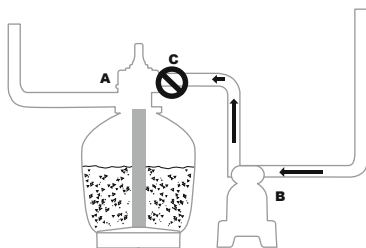
Cómo usar la válvula de control

Apriete en el asa de la válvula de control y gire hasta la función deseada.

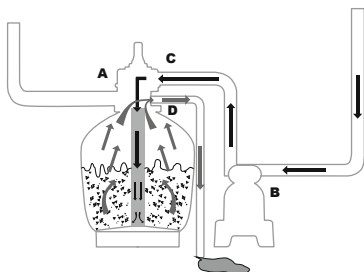
Filtrado: Esta función se usa para filtrar el agua de la piscina y debería estar colocada aquí el 99% del tiempo. El agua es bombeada a través del filtro de arena, donde se limpia y se devuelve a la piscina.



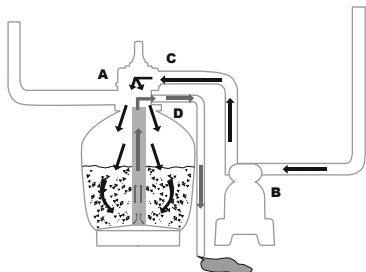
Cierre: Esta función impide que el agua salga entre el filtro de arena y la piscina.



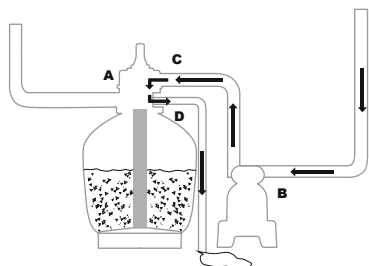
Retrolavado: Esta función se usa para limpiar el lecho de arena; se bombea agua a través del casquillo de recogida, hacia arriba hacia el lecho de arena, y se deposita fuera del puerto D.



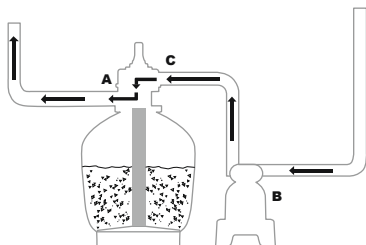
Aclarado: Esta función se usa para el inicio, limpieza y nivelado del lecho de arena después del retrolavado; se bombea el agua hacia abajo a través del lecho de arena, a través del casquillo de recogida y se deposita fuera del puerto de la válvula D.



Drenaje: Esta función drena el agua de la piscina; con otro ajuste del bypass del filtro, el agua se bombea y se deposita fuera del puerto D, en vez de volver a la piscina.



Circulación: Esta función hace circular el agua de la piscina bypassando el filtro de arena; se debe usar esta función si el filtro está roto para recoger los desechos en la pantalla para los desechos.



NOTA:

- Asegúrese de haber tomado todas las medidas necesarias para cumplir las normas locales, regionales o nacionales en esta materia. No descargue el agua si ello puede provocar inundaciones o daños.
- Cuando la válvula de control está fijada en las posiciones de retrolavado, aclarado, o drenaje, el agua se descargará desde el puerto D en la válvula de control.

- No enchufe ni haga funcionar el filtro de arena con la válvula de control fijada en la posición de cierre o dañará seriamente el filtro de arena.
- No fije la válvula de control entre dos funciones, o se producirán pérdidas.
- Para evitar fugas de agua, enrosque el tapón del puerto D en la válvula de control del puerto D antes de poner en marcha la función de circulación o de filtrado.

Salida de aire

Presione hacia abajo la palanca de la válvula de control y espere hasta que el agua fluya desde el puerto D para liberar el aire.

NOTA: Es importante repetir esta operación siempre que ponga la bomba en funcionamiento después de largos períodos de tiempo fuera de uso, de una operación de mantenimiento y de un retrolavado del lecho de arena.

INSTRUCCIONES PARA EL PRIMER USO

Deben llevarse a cabo el retrolavado y el aclarado para preparar la bomba para su primer uso y lavar la arena.



PRECAUCIÓN: NO HAGA FUNCIONAR NUNCA EL FILTRO DE ARENA SIN AGUA

1. Presione hacia abajo la palanca de la válvula de control y gírela a la posición de retrolavado.
2. Enchufe y ponga en funcionamiento el filtro de arena durante 3 a 5 minutos o hasta que el agua salga limpia.
3. Desconecte el filtro de arena y ajuste la válvula de control en la función de aclarado.
4. Encienda el filtro de arena y haga funcionar el filtro de arena durante 1 minuto. Esto hace circular el agua hacia atrás a través del filtro de arena y drena el agua por el puerto D.
5. Apague el filtro de arena. Ajuste la válvula de control en la función de cierre.
6. Rellene el agua de la piscina en caso necesario.

IMPORTANTE: Este procedimiento hace bajar el nivel de agua de la piscina; rellene para recuperar el nivel de agua adecuado.

Desenchufe el filtro de arena de inmediato si el nivel de agua se acerca a las válvulas de entrada y salida de la piscina.

1. Ahora el filtro de arena está listo para su uso. Fije la válvula de control en la función de filtrado.

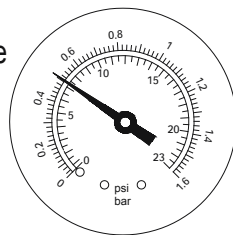
NOTA: Para evitar el riesgo de descarga eléctrica, seque cualquier agua sobrante de usted mismo y del filtro de arena.

IMPORTANTE: Antes de la operación, asegúrese de que el depósito está siempre colocado sobre su base y correctamente conectado a la bomba.

2. Encienda el filtro de arena para que funcione.

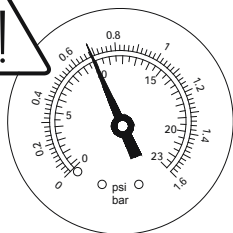
NOTA: Ahora el filtro de arena ha comenzado su ciclo de filtrado. Compruebe que el agua vuelve a la piscina y tome nota de la presión de filtrado en el presostato.

Normalmente, se recomienda que la presión de filtrado de la arena sea inferior a 0.56Bar (8.0PSI) cuando está funcionando.



Mantenimiento del filtro de arena

PRECAUCIÓN: Asegúrese de que el filtro de arena está apagado y desconectado antes de comenzar el mantenimiento o existirá un riesgo de lesiones graves o incluso de muerte. A medida que se acumula suciedad en el filtro de arena, la lectura de presión del manómetro aumenta. Cuando el manómetro muestre una presión de 0,62 Bar (9,0 PSI) o superior, o cuando el agua que fluye a la piscina sea demasiado poca, habrá que limpiar la arena. Para limpiar el lecho de arena, siga las instrucciones indicadas previamente en: **Retrolavado y aclarado.**



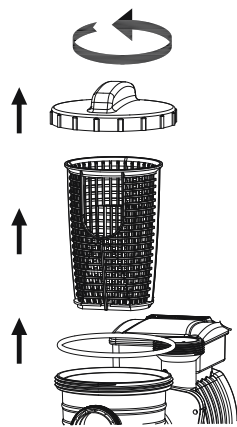
NOTA:

1. El manómetro debe usarse solo para operaciones de mantenimiento y su valor sirve solo como referencia, no debe usarse como instrumento de precisión.
2. Le recomendamos que limpie el lecho de arena una vez al mes o con menos regularidad, dependiendo del uso de la piscina. No limpie la arena con demasiada frecuencia.

Limpieza del tamiz

1. Desconecte el filtro de arena y fije la válvula de control en la función cerrada.
2. Vuelva a colocar las rejillas para residuos con los tapones de tope para evitar que se escape el agua.
3. Quite la tapa del tamiz desenroscándola.
4. Quite el tamiz, extraiga los restos depositados.
5. Vuelva a poner el tamiz en su posición. Asegúrese de que el agujero en el tamiz está alineado.
6. Asegúrese de que el anillo del sello está en su lugar. Vuelva a enroscar la tapa del tamiz.
7. Retire los tapones de tope e inserte las rejillas para residuos.

NOTA: El tamiz debe vaciarse y limpiarse periódicamente. Un tamiz sucio o bloqueado reducirá el rendimiento del filtro de arena.



Vaciar o reducir el nivel de agua de la piscina

1. Desconecte el filtro de arena y ajuste la válvula de control en la función de drenaje.
2. Desconecte la manguera del puerto A de la piscina y el puerto A del filtro de arena y acóplela al puerto D.
3. Enchufe el filtro de arena para poner el filtro en funcionamiento y retirar agua de la piscina.

ADVERTENCIA: NO HAGA FUNCIONAR NUNCA EL FILTRO DE ARENA SIN AGUA.

Preparación para el invierno y almacenamiento a largo plazo

En las zonas con temperaturas invernales frías, el equipo de la piscina debe almacenarse adecuadamente para que no resulte dañado.

Permitir que el agua se congele dañará el filtro de arena y dejará la garantía sin validez.

1. Haga un retrolavado del filtro de arena.
2. Drene la piscina de acuerdo con el manual de instrucciones de la piscina.
3. Desenrosque el tapón de la válvula de drenaje del fondo del depósito y vacíe el agua restante.
4. Desconecte las dos mangueras de la piscina y el filtro de arena.
5. Saque toda la arena del depósito y seque todos los componentes.
6. Guarde el filtro de arena en un sitio seco fuera del alcance de los niños.

SOLUCIÓN DE PROBLEMAS

Problemas	Posibles causas	Soluciones
Fluye arena hasta la piscina	<ul style="list-style-type: none">- Arena demasiado fina- Cambie la válvula de control de la función de retrolavado a la función de filtrado sin detener el filtro de arena- El nivel de la arena es demasiado alto- El recogehojas está roto	<ul style="list-style-type: none">- Se recomienda arena de sílice #20 de 0,45 mm a 0,85 mm- Detenga el filtro de arena cada vez que ajuste la válvula de control- Compruebe si el nivel de arena se encuentra entre las marcas «máx.» y «mín» en el casquillo- Cambie el recogehojas
No fluye el agua	<ul style="list-style-type: none">- Los tapones de tope no se retiraron- No sale aire- La válvula de control se ajustó en posición cerrada- El tamiz está bloqueado- El filtro de arena está roto	<ul style="list-style-type: none">- Retire los tapones de tope e inserte las rejillas para residuos- Deje salir aire- Ajuste en la función de filtrado- Limpie el tamiz- Llame al servicio técnico
Demasiada presión en el filtro	<ul style="list-style-type: none">- Filtro sucio- Lecho de arena calcificado- Retrolavado insuficiente- El manómetro está roto	<ul style="list-style-type: none">- Retrolavado- Inspeccione la arena y cambie en caso necesario- Retrolavado hasta que los efluentes salgan limpios- Cambie el manómetro
La válvula de control presenta fugas en el puerto D	<ul style="list-style-type: none">- La válvula de control se ajustó entre dos funciones- La junta está rota	<ul style="list-style-type: none">- Ajuste en una función- Cambie la junta
Los conectores presentan fugas	<ul style="list-style-type: none">- Arandela de los conectores fuera de lugar- Anillo en el conector del tubo roto- Mangueras sueltas	<ul style="list-style-type: none">- Recoloque la arandela- Cambie el anillo- Apriéte los

SANDFILTERANLAGE GEBRAUCHSANLEITUNG

Besuchen Sie den YouTube-Kanal von Bestway 

SICHERHEITSANWEISUNGEN



ACHTUNG

WICHTIGE SICHERHEITSANWEISUNGEN BITTE LESEN UND BEACHTEN SIE ALLE SICHERHEITSBESTIMMUNGEN.

Bei der Installation und der Benutzung von elektrischen Geräten müssen die grundlegenden Sicherheitsbestimmungen einschließlich der folgenden immer beachtet werden:

- Die Pumpe muss über einen Trenntransformator oder über eine Fehlerstrom-Schutzeinrichtung (RCD) mit einem Ansprechdifferenzstrom von nicht mehr als 30mA versorgt werden.
- Die Stromquelle muss mindestens 4 m vom Pool entfernt sein.
- Das Gerät muss von einer geerdete Stromquelle mit Spannung versorgt werden
- **ELEKTROSCHOCKGEFAHR** - Die Pumpe darf nicht betrieben werden, wenn sich Personen im Pool aufhalten. Bei defektem Sandfilter darf der Pool nicht genutzt werden.
- **VERGRABEN SIE KEINE KABEL.** Verlegen Sie die Kabel so, dass die Gefahr einer Beschädigung durch Rasenmäher, Heckenscheren usw. vermieden wird.
- Ersetzen Sie beschädigte Kabel sofort, um jede Gefahr von elektrischen Schlägen zu vermeiden.
- Falls das Netzkabel beschädigt ist, muss es durch den Hersteller, den Kundendienst oder in entsprechender Weise qualifizierte Person ausgewechselt werden, um die Gefahr von Stromschlägen zu vermeiden.
- Es können keine Verlängerungskabel verwendet werden.
- Elektroschlaggefahr. Der Einsatz des Sandfilters mit einer ungeeigneten Stromversorgung ist gefährlich und kann zu schweren Funktionsstörungen des Sandfilters führen.
- Entfernen Sie den Erdungsleiter nicht und nehmen Sie keine Änderungen am Stecker vor. Verwenden Sie keine Adapterstecker. Lassen Sie die Erdung Ihrer Steckdosen von einem qualifizierten Elektriker überprüfen.

- Behandeln Sie den Sandfilter vorsichtig. Ziehen oder tragen Sie den Sandfilter nicht am Netzkabel. Ziehen Sie den Stecker nie mit dem Netzkabel aus der Steckdose. Schützen Sie das Kabel vor Beschädigungen. Der Sandfilter muss vor scharfkantigen Gegenständen, Öl, beweglichen Teilen und Hitze geschützt werden.
- Trennen Sie dieses Produkt immer von der Stromversorgung, bevor Sie es ausbauen, reinigen, warten oder Einstellungen daran vornehmen.
- Stecken Sie das Gerät nicht mit nassen Händen ein oder aus.
- Stecken Sie das Gerät immer aus:
 - An Regentagen
 - Bevor Reinigungs- oder Wartungsarbeiten durchgeführt werden.
 - wenn Sie das Produkt für einen längeren Zeitraum unbeaufsichtigt lassen (z. B. während des Urlaubs)
- Wird das Gerät für einen längeren Zeitraum nicht benutzt (z. B. im Winter), muss das Poolset demontiert und in Innenräumen gelagert werden.
- **VORSICHT:** Bitte lesen Sie diese Anweisungen jedes Mal sorgfältig durch, bevor Sie das Gerät benutzen und installieren/montieren.
- Bewahren Sie diese Anweisungen sorgfältig auf. Beachten Sie bei jedem erneuten Aufbau des Pools diese Anweisungen.
- Sollten diese Anweisungen verloren gehen, kontaktieren Sie Bestway oder suchen Sie das Dokument auf unserer Website: www.bestwaycorp.com
- Elektrische Installationen sollten die nationalen Anschlussvorschriften beachten. Lassen Sie sich von einem qualifizierten Elektriker in allen Fragen beraten.

VORSICHT: Dieser Sandfilter wurde ausschließlich für die Benutzung in lagerbaren Pools konzipiert. Nicht in fest installierten Pools benutzen. Ein lagerbarer Pool ist so konstruiert, dass es zur Lagerung abgebaut und anschließend wieder aufgebaut werden kann. Ein fest installierter Pool ist so konstruiert, dass es nicht für die Lagerung abgebaut werden kann.

- Dieses Gerät kann von Kindern ab 8 Jahren oder älter sowie von Personen mit physischen, sensorischen oder mentalen Einschränkungen oder mangelnder Erfahrung und mangelnden Kenntnissen benutzt werden, sofern sie entsprechend beaufsichtigt oder mit der Bedienung des Gerätes und den damit verbundenen Gefahren vertraut gemacht wurden. Kinder dürfen nicht mit dem Gerät spielen. Die Reinigung und Wartung durch den Benutzer darf von Kindern nicht ohne Beaufsichtigung durchgeführt werden. (Für den EU-Markt)
- Dieses Gerät darf nicht von Personen (inklusive Kinder) mit physischen, sensorischen oder mentalen Einschränkungen oder mangelnder Erfahrung und mangelnden Kenntnissen benutzt werden, wenn diese nicht durch eine für

ihre Sicherheit verantwortliche Person entsprechend beaufsichtigt werden oder mit der Bedienung des Gerätes und den damit verbundenen Gefahren vertraut gemacht wurden. Kinder müssen während der Nutzung beaufsichtigt werden, um sicherzustellen, dass sie nicht mit dem Gerät spielen. (Für Nicht-EU-Märkte)

- Reinigung und Wartung durch den Benutzer müssen von einem mindestens 18 Jahre alten Erwachsenen durchgeführt werden, der mit den Gefahren eines elektrischen Schlages vertraut ist.

HINWEIS:

- Setzen Sie den Sandfilter auf eine feste und ebene Unterlage. Bitte stellen Sie sicher, dass sich der Sandfilter zumindest zwei Meter vom Rand des Pools entfernt befindet. Halten Sie so viel Abstand wie möglich.
- Achten Sie darauf, dass die Position des Pools und des Sandfilters eine angemessene Lüftung, die Dränage und den Zugang für die Wartung gewährleistet. Positionieren Sie den Sandfilter nie an einer Stelle, an der sich Wasser ansammeln kann oder wo er den Verkehr stört.
- Die Steckdose muss nach der Installation des Pools zugänglich sein. Die Steckdose des Sandfilters sollte zumindest 3,5m vom Pool entfernt sein.
- Die Witterungsbedingungen können sich auf die Leistung und die Lebensdauer des Sandfilters auswirken; schützen Sie den Sandfilter in geeigneter Weise vor unnötigem Verschleiß bei kalter oder heißer Witterung und/oder Sonneneinstrahlung.
- Bitte prüfen Sie alle Komponenten des Sandfilters vor der Benutzung. Bitte wenden Sie sich an den Bestway-Kundendienst unter der im Handbuch angegebene Adresse, falls beim Kauf Teile fehlen oder beschädigt sind.
- Defekte Teile müssen unverzüglich ausgetauscht werden. Verwenden Sie ausschließlich vom Hersteller empfohlene und zugelassene Teile.
- Stellen Sie sicher, dass sich niemand gegen das Gerät lehnt oder darauf setzt.
- Füllen Sie keine Chemikalien in den Sandfilter ein.
- Wenn Chemikalien zum Reinigen des Poolwassers eingesetzt werden, empfehlen wir aus gesundheitlichen Gründen und zur Einhaltung von Vorschriften die Einhaltung einer minimalen Filtrierungszeit.
- Bei der Produktinstallation sind nur die vom Hersteller gelieferten oder angegebenen Medien zu verwenden.
- Es ist unbedingt notwendig zu prüfen, dass die Ansaugöffnungen nicht blockiert sind.
- Es ist empfehlenswert, die Filterung während der Wartungseingriffe auf dem Filtersystem zu stoppen.
- Regelmäßig das Verstopfen des Filters überwachen.

- Es wird eine wöchentliche Kontrolle für Rückspülen oder Reinigung empfohlen. Die tägliche Mindestfilterbetriebsdauer von acht Stunden wird empfohlen, um sauberes Poolwasser zu garantieren.
- Es ist unbedingt notwendig, jegliche beschädigten Elemente oder Elementgruppen so schnell wie möglich zu ersetzen. Verwenden Sie nur von der Person, die das Produkt auf den Markt gebracht hat, empfohlen Teile.
- Alle Filter und Filtermedien müssen regelmäßig untersucht werden, um sicherzustellen, dass keine Schmutzansammlungen vorliegen, die eine korrekte Filterung verhindern. Die Entsorgung jeglicher gebrauchten Filtermedien muss in Einklang mit den geltenden Vorschriften/Gesetzen erfolgen.
- Beachten Sie alle im Handbuch beschriebenen Sicherheitsvorschriften und Empfehlungen. Im Fall von Zweifeln hinsichtlich der Pumpe oder Umwälzvorrichtungen wenden Sie sich bitten an einen Installationsfachmann oder an den Hersteller/Importeur/Händler. Die Installation der Wasserzirkulation muss im Einklang mit den europäischen sowie den nationalen/lokalen Bestimmungen erfolgen, insbesondere wenn es sich um elektrische Fragen handelt. Jegliche Änderungen der Ventilposition, Pumpen- oder Gittergröße kann zu einer Änderung des Durchflusses und einer Erhöhung der Ansauggeschwindigkeit führen.
- Dieses Produkt darf nicht für kommerzielle Zwecke benutzt werden.

**Bitte lesen Sie das Handbuch sorgfältig durch und bewahren Sie es als künftige Referenz auf.
BEWAHREN SIE DIESE ANWEISUNGEN AUF**

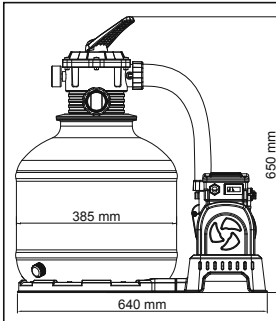
UMWELTSCHUTZ



Die Bedeutung der durchstrichenen Mülltonne:

Entsorgen Sie elektrische Geräte nicht im Hausmüll, nutzen Sie die Sammelstellen in ihrer Gemeinde. Fragen Sie Ihre Gemeindeverwaltung nach den Standorten der Sammelstellen. Wenn elektrische Geräte unkontrolliert entsorgt werden, können während der Verwitterung gefährliche Stoffe ins Grundwasser und damit in die Nahrungskette gelangen, oder Flora und Fauna auf Jahre vergiftet werden. Wenn Sie das Gerät durch ein neues ersetzen, ist der Verkäufer gesetzlich verpflichtet, das alte mindestens kostenlos zur Entsorgung entgegenzunehmen.

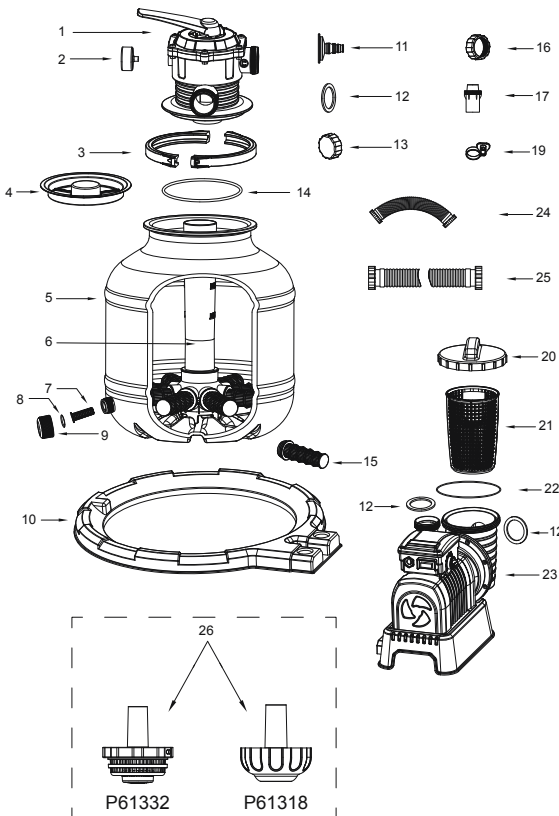
SPEZIFIKATIONEN



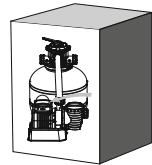
Filterdurchmesser:	385 mm
Effektive Filterfläche:	0.11 m ² (1.18 ft ²)
Max. Betriebsdruck:	1.59 Bar (23 PSI)
Arbeitsdruck des Sandfilters:	<0.55 Bar (8 PSI)
Max. Wassertemperatur:	35°C
Sand:	Nicht eingeschlossen
Sandgröße:	#20 Quarzsand, 0.45-0.85 mm
Fassungsvermögen Sand:	Ca. 36 kg

ÜBERSICHT BAUTEILE

Bitte überprüfen Sie vor der Montage des Sandfilters alle Bauteile und machen Sie sich mit ihnen vertraut.



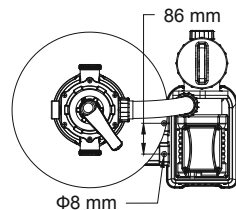
A



REF.-NR.	ERSATZTEIL NR.	A
1	P03831	1
2	P61138ASS16	1
3	P03832	2
4	P61209ASS16	1
5	P03843	1
6	P03844	1
7	P61211ASS16	1
8	P6581ASS16	1
9	P6580ASS16	1
10	P03845	1
11	P6614ASS16	1
12	P6029ASS16	5
13	P03830	1
14	P61214ASS16	1
15	P61210ASS16	8
16	P03829	1
17	P6916ASS16	2
19	P6124ASS16	2
20	P6561ASS16	1
21	P6562ASS16	1
22	P6563ASS16	1
23	P03814(EU)/P03816(GB)	1
24	P03849	1
25	P6518ASS16	2
26	P61322ASS16	1
	P61318ASS16	1

Montage (Sie benötigen einen Schraubendreher.)

1. Entnehmen Sie vorsichtig alle Komponenten aus der Verpackung und stellen Sie sicher, dass nichts beschädigt ist. Wenden Sie sich umgehend an den Händler, bei dem Sie die Ausrüstung gekauft haben, falls Komponenten beschädigt sind.
2. Setzen Sie den Sandfilter auf eine feste und ebene Unterlage, vorzugsweise auf eine Betonplatte. Stellen Sie den Sandfilter so auf, dass die Anschlüsse und das Steuerventil für den Betrieb, die Wartung und die Vorbereitung für den Winter zugänglich sind.
3. Der TEST-Standard EN60335-2-41 schreibt vor, dass der Sandfilter senkrecht auf dem Boden befestigt wird oder ein Gestell aus Holz bzw. Beton vor dem Gebrauch errichtet wird, um ein unbeabsichtigtes Umfallen des Sandfilters zu verhindern. Das Gewicht des vollständig montierten Sandfilters überschreitet 18kg. Die Montagebohrungen müssen einen Durchmesser von 8mm sowie einen Abstand von 86mm zueinander aufweisen. Verwenden Sie zwei Schrauben und Muttern mit einem Durchmesser von maximal 8mm, um den Sandfilter am Gestell zu befestigen.



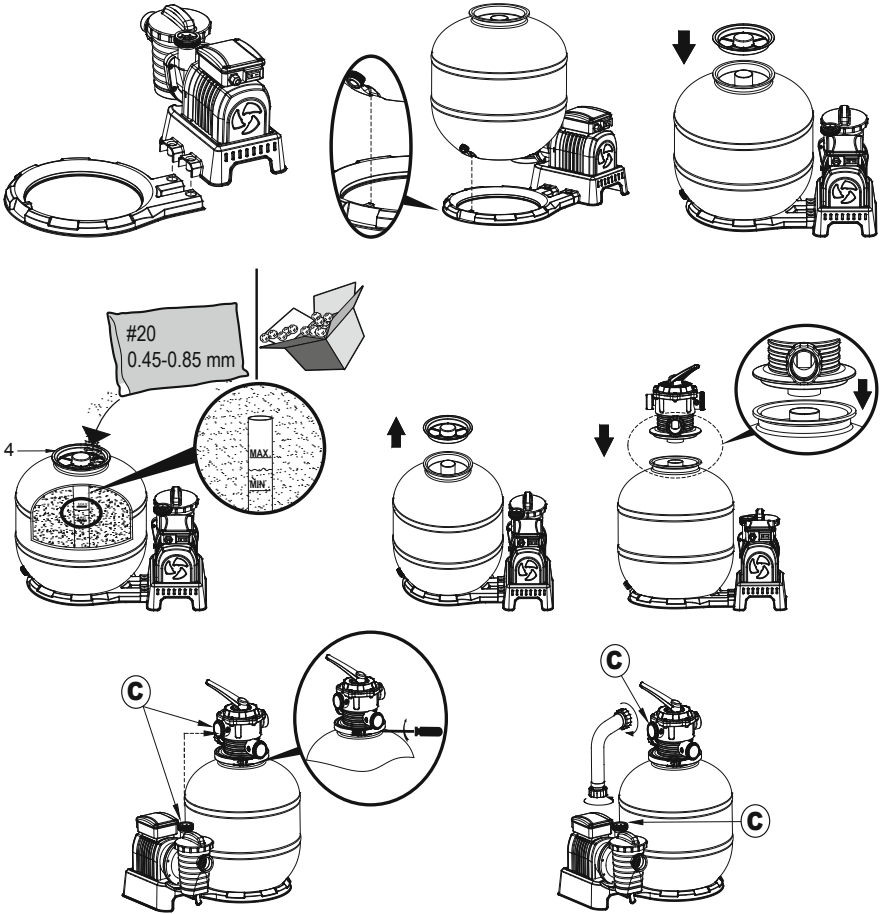
Verwenden Sie nur Filtersand/Flowclear™ Polysphere für die Sandfilteranlage.

HINWEIS: Verwenden Sie ausschließlich kalk- und lehmfreien Spezialfiltersand für Pools: #20 Quarzsand, 0,45-0,85mm, ca. ein Sack zu 36kg sollte ausreichen. Wenn Sie keinen Filtersand in der empfohlenen Größe verwenden, reduziert sich die Filterleistung und der Sandfilter kann beschädigt werden, wobei es zu einem Garantieverlust kommt.

HINWEIS: Füllen Sie dann etwas Wasser in den unteren Tank, um den Reiniger in die Kollektornabe einzutauchen.

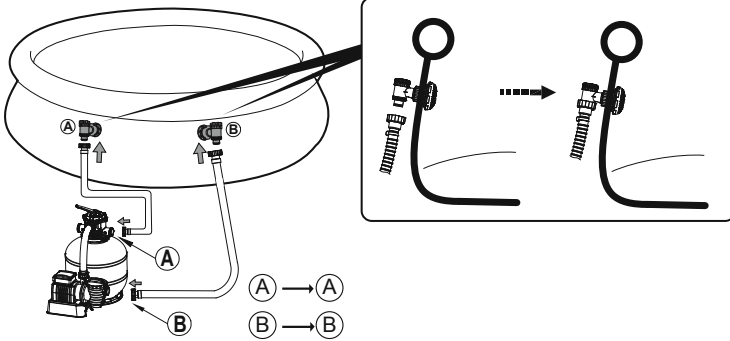
HINWEIS: Filtersand/Flowclear™ Polysphere ist nicht enthalten.

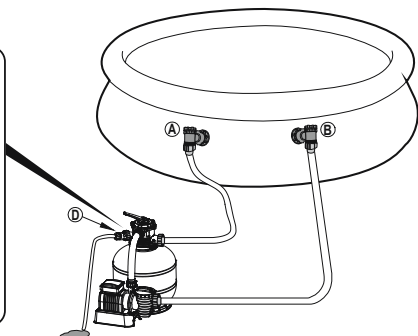
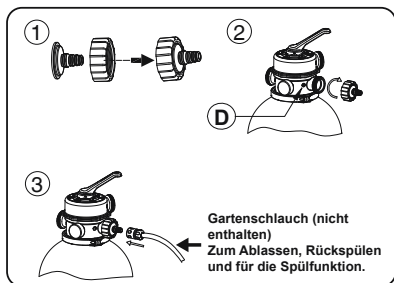
HINWEIS: Verwenden Sie 28 g (0.06 lbs) Flowclear™ Polysphere als Ersatz für 1 kg (2,20 lbs) Filtersand.



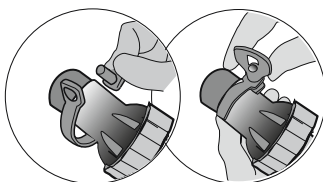
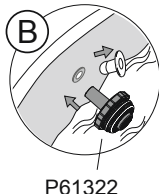
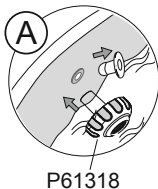
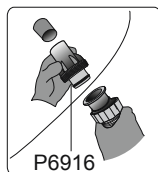
Anschluss an den Pool

1



2

Für Poolventile mit einem Durchmesser von 32 mm (1,25 Zoll)



STOPP

Lesen Sie vor dem Einschalten das Handbuch aufmerksam durch.

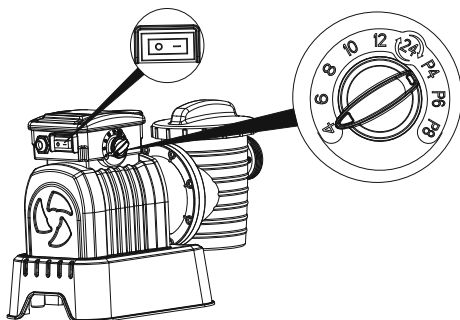
BETRIEB

Zeitschaltuhr

1. Verbinden Sie das Gerät mit der Stromquelle. Schalten Sie den Netzschalter „EIN“ (-). Der Sandfilter nimmt die Arbeit sofort auf.
2. Schalten Sie den Netzschalter „AUS“ (0). Der Sandfilter stoppt sofort.
3. Nach dem Einschalten können Sie die Betriebsdauer, Ruhe- und Zykluszeit durch Drehen des Einstellrades in die gewünschte Stellung bringen. Weitere Angaben entnehmen Sie bitte der nachstehenden Tabelle.
4. Wenn das Timer-Stellrad in eine neue Stellung gedreht wird, wird der vorherige Timer-Zyklus automatisch überschrieben und der neu eingestellte Zyklus beginnt.

5. Immer, wenn der Filter eingeschaltet oder neu gestartet wird, beginnt ein neuer Zyklus basierend auf der Stellung des Stellrades.

HINWEIS: Wenn das Stellrad in die 24-Stunden-Stellung (24) gedreht wird, arbeitet der Sandfilter ununterbrochen ohne Ruhezeit.



Position	Arbeitszeit (H)	Ruhezeit (H)	Zyklusperiode (H)
4	4	20	24
6	6	18	24
8	8	16	24
10	10	14	24
12	12	12	24
24	24	0	24
P4	4	4	8
P6	6	6	12
P8	8	8	16

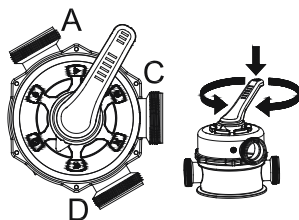
ÜBERSICHT STEUVENTIL

ACHTUNG: Ziehen Sie zur Vermeidung von Beschädigungen und Verletzungen immer den Stecker des Sandfilters heraus, bevor Sie die Funktion des Steuerventils ändern.

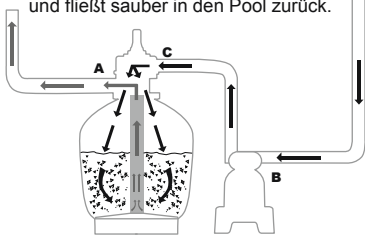
Die Änderung der Position des Ventils während des Betriebs kann zu Beschädigungen des Steuerventils führen, die zu Verletzungen oder Sachschäden führen können.

Benutzung des Steuerventils

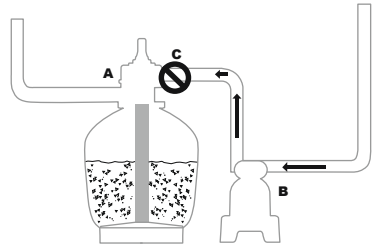
Drücken Sie den Griff des Steuerventils herunter und drehen Sie ihn auf die gewünschte Funktion.



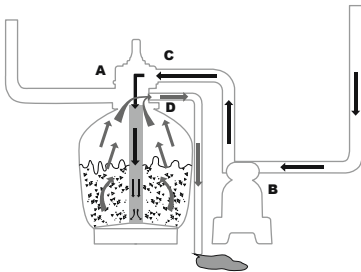
▶ **Filtern:** Diese Position wird zum Filtern des Poolwassers verwendet und sollte für 99% der Zeit eingestellt werden. Das Wasser wird durch den Sandfilter gepumpt und fließt sauber in den Pool zurück.



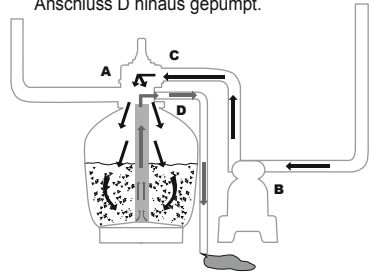
✕ **Geschlossen:** Diese Funktion unterbricht den Wasserfluss zwischen dem Sandfilter und dem Pool.



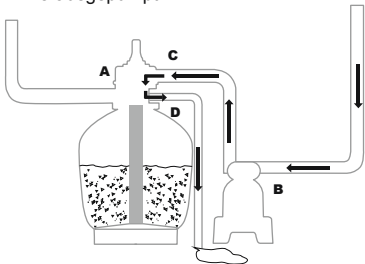
◀◀ **Ausspülen:** Diese Funktion wird zum Reinigen des Sandbetts verwendet; das Wasser wird durch die Kollektornabe hinab, durch das Sandbett hinauf und durch den Anschluss D hinaus gepumpt.



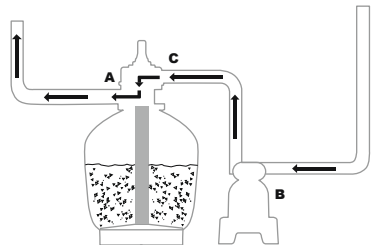
💧 **Spülen:** Diese Funktion für die Inbetriebnahme wird zum Reinigen und Nivellieren des Sandbetts nach dem Ausspülen verwendet; das Wasser wird durch das Sandbett hinab, durch die Kollektornabe hinab und durch den Anschluss D hinaus gepumpt.



⌵ **Ablassen:** Diese Funktion pumpt das Wasser aus dem Pool ab, das heißt das Wasser wird nicht in den Pool zurück, sondern durch den Anschluss D herausgepumpt.



↻ **Umwälzen:** Diese Funktion wälzt das Poolwasser am Sandfilter vorbei um; benutzen Sie diese Funktion, falls der Filter defekt ist, um den Schmutz im Schmutzfilter zu fangen.



HINWEIS:

- Stellen Sie immer sicher, dass beim Ablassen alle lokalen, regionalen und/oder staatlichen Bestimmungen eingehalten werden. Lassen Sie das Wasser nicht in Bereichen ab, in denen die Gefahr von Überschwemmung oder Beschädigung besteht.
- Das Wasser wird durch den Anschluss D des Steuerventils herausgepumpt, wenn das Steuerventil auf die Position Ausspülen, Spülen oder Ablassen gestellt ist.

- Stecken Sie den Stecker des Sandfilters nicht ein, wenn das Steuerventil auf die Funktion "Geschlossen" gestellt ist; anderenfalls wird der Sandfilter ernsthaft beschädigt.
- Stellen Sie das Steuerventil nicht zwischen zwei Funktionen, da es anderenfalls undicht wird.
- Um einen Wasseraustritt zu verhindern, schrauben Sie Anschluss D auf das Regelventil D, bevor Sie den Filter in Betrieb nehmen oder die Spülfunktion starten.

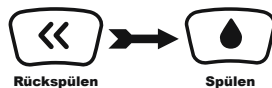
Ablassen der Luft

Den Hebel des Regelventils nach unten drücken und warten bis Wasser aus Anschluss D fließt, um die Luft abzulassen.

HINWEIS: Es ist wichtig, diesen Vorgang jedes Mal zu wiederholen, wenn Sie die Pumpe starten, nachdem sie winterfest gemacht, gewartet oder das Sandbett rückgespült wurde.

VOR DER ERSTEN INBETRIEBNAHME

Die Rückspülung und Spülung muss durchgeführt werden, um die Pumpe für den ersten Gebrauch vorzubereiten und den Sand auszuspülen.



VORSICHT: DEN SANDFILTER NICHT OHNE WASSER BETREIBEN

1. Drücken Sie den Hebel des Regelventils nach unten und drehen Sie es auf die Position für die Rückspülfunktion.
2. Stellen Sie die Stromversorgung her und schalten Sie die Sandfilteranlage ein. Betreiben Sie die Anlage für 3-5 Minuten, bis das Wasser klar ist.
3. Schalten Sie den Sandfilter aus und stellen Sie das Regelventil auf die Spülfunktion.
4. Schalten Sie den Sandfilter ein und betreiben Sie ihn für 1 Minute. Dies lässt Wasser in umgekehrter Richtung durch den Sandfilter laufen und lässt Wasser aus dem Anschluss D ab.
5. Schalten Sie den Sandfilter aus. Schließen Sie das Regelventil.
6. Füllen Sie das Poolwasser auf, falls erforderlich.

WICHTIG: Dieses Verfahren entfernt Wasser aus dem Pool, das ersetzt werden muss. Schalten Sie den Sandfilter sofort aus, wenn sich der Wasserspiegel den Ein- und Auslassventilen des Pools nähert.

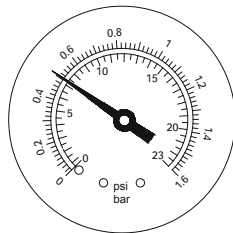
1. Nun ist der Sandfilter betriebsbereit. Stellen Sie das Steuerventil auf die Funktion „Filter“.

HINWEIS: Trocknen Sie sich selbst und den Sandfilter zur Vermeidung der Gefahr vor elektrischen Schlägen ab.

WICHTIG: Vergewissern Sie sich vor dem Vorgang, dass der Tank stabil auf der Tankhalterung steht und dass er korrekt mit der Pumpe verbunden ist.

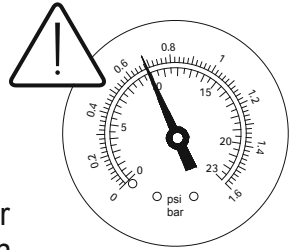
2. Schalten Sie den Sandfilter ein, um ihn in Betrieb zu nehmen.

Anmerkung: Jetzt beginnt der Filterzyklus des Sandfilters. Überprüfen Sie das in den Pool zurückfließende Wasser und lesen Sie die Druckanzeige ab. Im Allgemeinen empfehlen wir während des Betriebs einen Sandfilterdruck von unter 0.56Bar (8.0PSI).



Wartung des Sandfilters

VORSICHT: Sie müssen sicherstellen, dass der Sandfilter ausgeschaltet und von der Energieversorgung getrennt ist, bevor Sie mit Wartungsarbeiten jeglicher Art beginnen, da ansonsten das Risiko schwerer Verletzungen bis hin zum Tod besteht. Wenn



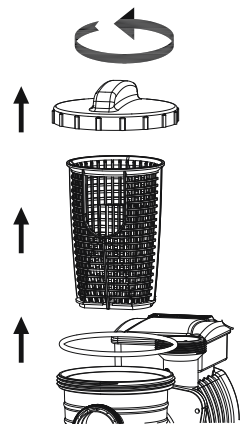
sich Schmutz im Sandfilter ansammelt, erhöht sich der Druck im Druckmesser. Wenn die Druckanzeige 0,62 Bar (9,0 PSI) überschreitet oder der Wasserfluss sich verlangsamt, sollte der Sandfilter gereinigt werden. Zur Reinigung des Sandbetts befolgen Sie bitte alle bereits erläuterten Anweisungen im **Abschnitt Rückspülen und Spülen.**

HINWEIS:

1. Der Druckmesser dient lediglich Wartungs-/Referenzzwecken und darf nicht als Präzisionsinstrument verwendet werden.
2. Wir empfehlen eine monatliche Reinigung des Sandbetts oder bei entsprechender Nutzung des Pools seltener. Reinigen Sie den Sand nicht zu häufig.

Reinigen des Siebs

1. Schalten Sie den Sandfilter aus und stellen Sie das Steuerventil auf die Funktion Geschlossen.
2. Ersetzen Sie das Schmutzsieb durch Verschlussstopfen, um einen Wasseraustritt zu vermeiden.
3. Entfernen Sie die Siebabdeckung durch Abschrauben.
4. Nehmen Sie das Sieb heraus und entfernen Sie alle Rückstände.
5. Bringen Sie das Sieb wieder an. Prüfen Sie, ob die Öffnung im Sieb ausgerichtet wurde.
6. Prüfen Sie, ob der Dichtring vorhanden ist. Schrauben Sie die Siebabdeckung wieder ein.
7. Entfernen Sie die Verschlussstopfen und setzen Sie die Schmutzsiebe ein.



HINWEIS: Das Sieb muss regelmäßig entleert und gesäubert werden. Ein verschmutztes oder verstopftes Sieb verringert die Leistung des Sandfilters.

Poolwasser absenken oder ablassen

1. Schalten Sie den Sandfilter aus und stellen Sie das Regelventil auf die Ablasfunktion.
2. Entfernen Sie den Schlauch vom Anschluss A des Pools, sowie vom Anschluss A des Sandfilters und verbinden Sie ihn mit Anschluss D des Sandfilters.
3. Schalten Sie den Sandfilter ein, um den Filter zu betreiben und das Poolwasser zu entfernen.

ACHTUNG: DEN SANDFILTER NICHT OHNE WASSER BETREIBEN Winterfest machen und längere Lagerung


In Gegenden, die im Winter Minusgrade erreichen, muss die Poolausstattung winterfest gemacht werden, um sie vor Schäden zu schützen.

Gefrierendes Wasser beschädigt den Sandfilter und führt zum Erlöschen der Garantie.

1. Den Sandfilter rückspülen.
2. Lassen Sie das Wasser gemäß den Anweisungen des Benutzerhandbuches für den Pool ab.
3. Lösen Sie den Verschlussdeckel des Ablasventils an der Unterseite des Wasserbeckens ab und lassen Sie das restliche Wasser ablaufen.
4. Trennen Sie die beiden Schläuche von Schwimmbecken und Sandfilter.
5. Spülen Sie den Sand vollständig aus dem Behälter und trocknen Sie alle Bauteile.
6. Lagern Sie den Sandfilter an einem trockenen Ort außerhalb der Reichweite von Kindern.

FEHLERBEHEBUNG		
Probleme	Wahrscheinliche Ursachen	Lösungen
Sand fließt in den Pool	<ul style="list-style-type: none"> - Die Größe der Sandkörner ist zu gering - Einstellen des Regelventils von der Rückspül- auf die Filterfunktion, ohne den Sandfilter zu stoppen. - Die Füllhöhe des Sandes ist zu hoch - Der Abschäumer wurde beschädigt 	<ul style="list-style-type: none"> - Empfehlung: #20 Quarzsand 0,45-0,85mm - Stoppen Sie den Sandfilter jedes Mal, wenn die Einstellung des Regelventils verändert wird - Überprüfen Sie, ob die Füllhöhe des Sandes zwischen den Markierungen „MAX“ und „MIN“ an der Nabe liegt - Ersetzen Sie den Abschäumer
Kein Wasserfluss	<ul style="list-style-type: none"> - Verschlussstopfen wurden nicht entfernt - Die Luft wurde nicht abgelassen - Das Regelventil wurde geschlossen - Das Sieb wurde verstopft - Sandfilter beschädigt 	<ul style="list-style-type: none"> - Entfernen Sie die Verschlussstopfen und setzen Sie die Schmutzsiebe ein. - Lassen Sie die Luft ab - Aktivieren Sie die Filterfunktion - Reinigen Sie das Sieb - Wenden Sie sich an den Kundendienst
Übermäßig hoher Filterdruck	<ul style="list-style-type: none"> - Verschmutzter Filter - Verkalktes Sandbett - Unzureichende Rückspülung - Der Druckmesser wurde beschädigt 	<ul style="list-style-type: none"> - Rückspülung - Überprüfen und Austauschen des Sandes, wenn erforderlich - Rückspülen, bis das abfließende Wasser klar ist - Ersetzen Sie den Druckmesser
Leckage des Regelventils an Anschluss D	<ul style="list-style-type: none"> - Das Regelventil wurde zwischen zwei Funktionen gestellt - Die Dichtung wurde beschädigt 	<ul style="list-style-type: none"> - Stellen Sie das Ventil auf eine Funktion - Ersetzen Sie die Dichtung
Leckage der Anschlüsse	<ul style="list-style-type: none"> - Dichtungsring der Anschlüsse nicht korrekt platziert - Dichtungsring der Anschlüsse beschädigt - Gelockerte Schläuche 	<ul style="list-style-type: none"> - Neupositionierung des Dichtungsring - Ersetzen Sie den Dichtungsring - Ziehen Sie die Schläuche fest

HIEKKASUODATIN OMISTAJAN OPAS

Käy katsomassa Bestwayn YouTube-kanavaa 



TURVALLISUUSOHJEET

VAROITUS

TÄRKEITÄ TURVALLISUUSOHJEITA LUO KAIKKI TURVALLISUUSOHJEET JA NOUDATA NIITÄ.

Tätä sähkölaitetta asennettaessa ja käytettäessä tulee aina noudattaa perusvarotoimia, mukaan lukien seuraavat:

- Pumppu tulee suojata suojaerotusmuuntajalla tai vikavirtasuojalla (RCD), jonka toimintavirta ei ylitä 30 mA.
- Rakennuksen seinässä oleva virtalähde on pidettävä yli 4 m etäisyydellä altaasta.
- Laite on kytkettävä maadoitettuun virtalähteeseen.
- **SÄHKÖISKUN VAARA** - Pumpputta ei voida käyttää, kun ihmisiä on altaassa. Kiellä pääsy ammeeseen hiekkasuodattimen vaurion tapauksessa.
- **ÄLÄ PEITÄ JOHTOA.** Paikallista johto, jotta ruohonleikkurit, pensasleikkurit tai muut laitteet eivät vahingoita sitä.
- Sähköiskun vaaran vähentämiseksi vaihda vahingoittunut johto välittömästi.
- Jos virtajohto on vahingoittunut, valmistajan, huoltoedustajan tai vastaavan pätevä henkilön tulee vaihtaa johto vaaran välttämiseksi.
- Jatkojohtoja ei saa käyttää.
- Sähköiskun vaara. Hiekkasuodattimen käyttäminen epäyhteensopivan virtalähteen kanssa on vaarallista ja vahingoittaa hiekkasuodatinta pysyvästi.
- Älä poista maadoitusnastaa tai muuta pistoketta millään tavalla. Älä käytä sovittipistokkeita. Kysy pätevältä sähkötekniikolta neuvoa kaikissa pistokkeisiin ja maadoituksen liittyvissä asioissa.
- Käsittele hiekkasuodatinta varovasti. Älä kannan tai vedä hiekkasuodatinta virtajohdosta. Älä koskaan vedä pistoketta

pistorasiasta kiskaisemalla johdosta. Älä altista johtoa hankaukselle. Älä koskaan altista hiekkasuodatinta teräville esineille, öljylle tai lämmölle.

- Irrota tuotteen pistoke aina virtalähteestä ennen kuin siirrät, puhdistat, huollat tai säädät tuotetta millään tavalla.
- Älä kytke laitetta virtalähteeseen tai irrota sitä virtalähteestä, kun kätesi ovat märät.
- Irrota laite virtalähteestä aina:
 - sateella
 - ennen puhdistusta ja muuta kunnossapitoa
 - jos allas jätetään vartioimatta lomakausien ajaksi
- Kun uima-allasta ei käytetä pitkään aikaan (esimerkiksi talvella), se tulisi purkaa osiin varastoida sisätiloihin.
- **VAROITUS:** Lue ohjeet aina ennen tuotteen käyttöä ja asennusta/uudelleenasennusta.
- Ohjeiden säilytys. Joka kerta kun kokoat altaan uudestaan, lue aina ohjeet.
- Jos ohjeet puuttuvat, ota yhteyttä Bestwayhin tai hae ne verkkosivustolta: www.bestwaycorp.com
- Sähköasennusten on noudatettava kansallisia johdotussääntöjä. Tarvittaessa kysy neuvoa ammattitaitoiselta sähköasentajalta.

HUOMAUTUS: Tämä hiekkasuodatin on tarkoitettu käytettäväksi vain varastoitavien altaiden kanssa. Älä käytä sitä pysyvästi asennettujen altaiden kanssa. Varastoitava allas on rakennettu niin, että se on helppo purkaa varastointia varten ja koota uudelleen alkuperäiseen muotoon. Pysyvästi asennettu allas on rakennettu maan sisään tai päälle tai rakennukseen siten, että sitä ei voi helposti purkaa varastointia varten.

- Tätä laitetta saa käyttää yli 8-vuotiaat lapset ja henkilöt, joiden fyysiset, aistinvaraiset tai henkiset kyvyt ovat heikentyneet tai joilta puuttuu kokemus ja taidot, mikäli heitä on neuvottu ja ohjeistettu laitteen käyttöön turvallisella tavalla ja he ymmärtävät siihen liittyvät vaarat. Lapset eivät saa leikkiä laitteella. Puhdistusta ja käyttäjän tekemää huoltoa ei saa jättää lasten tehtäväksi ilman valvontaa. (EU:ta varten)
- Tämä tuote ei ole tarkoitettu seuraavien ryhmien käyttöön: lapset ja fyysisistä, henkisistä tai aistirajoitteista kärsivät tai kokemattomat tai tietotasoltaan rajoitetut henkilöt. Kyseiset henkilöt voivat kuitenkin käyttää tuotetta, jos he ovat saaneet

opastusta tai ohjeita tuotteen turvalliseen käyttöön henkilöltä, joka on vastuussa heidän turvallisuudestaan. Lapsia tulee valvoa sen varmistamiseksi, että he eivät leiki tällä laitteella. (EU:n ulkopuoliset markkinat)

- Tuotteen saa huoltaa ja puhdistaa vain yli 18-vuotias aikuinen, joka ymmärtää sähköiskun vaarat.

MUISTUTUS:

- Aseta hiekkasuodatin lujalle, tasaiselle alustalle. Varmista, että hiekkasuodatin on vähintään 2 metrin päässä altaan reunasta. Pidä etäisyys niin pitkänä kuin mahdollista.
- Sijoita allas ja hiekkasuodatin niin, että käytettävissä on riittävä ilmastointi, viemärointi ja riittävästi tilaa huoltotöille. Älä koskaan sijoita hiekkasuodatinta alueelle, johon voi kertyä vettä, tai kävelyreitille.
- Pistokkeen on oltava tavoitettavissa altaan asennuksen jälkeen. Hiekkasuodattimen pistokkeen tulee olla vähintään 3,5m:n päässä altaasta.
- Ilmasto-olot voivat vaikuttaa hiekkasuodattimen käyttöikänsä ja toimintaan. Suorita riittävät varotoimet hiekkasuodattimen suojaamiseksi kuuman tai kylmän ilman ja/tai auringolle altistumisen aiheuttamalta kulumiselta.
- Varmista ennen käyttöä, että kaikki hiekkasuodattimen osat ovat mukana. Ilmoita tässä oppaassa ilmoitettuun Bestwayn asiakaspalvelun osoitteeseen, jos ostetussa tuotteesta on puuttunut osia tai jotkin osat ovat olleet vahingoittuneita ostohetkellä.
- Heikenneet osat on ehdottomasti vaihdettava niin pian kuin mahdollista. Käytä vain valmistajan hyväksymiä osia.
- Älä anna lasten tai aikuisten nojata laitteeseen tai istua sen päällä.
- Älä lisää hiekkasuodattimeen kemikaaleja.
- Käytettäessä kemikaaleja allasveden puhdistamiseksi suositellaan noudatettavaksi minimisuodatusaikaa uimareiden terveyden suojaamiseksi terveyssäädösten mukaisesti.
- Vain valmistajan tarjoamia tai määrittämiä välineitä on tarkoitus käyttää tuotteen asennukseen.
- On tärkeää tarkistaa, että imuaukot eivät ole tukossa.
- On suositeltavaa lopettaa suodatus suodatusjärjestelmän huoltotoimenpiteiden aikana.

- Seuraa säännöllisesti suodattimen tukkeutumistasoa.
- Viikoittaista tarkastusta koskien paluuvesipesua tai puhdistusta suositellaan. Pienin suositeltu päivittäinen suodatuksen käyttöaika on 8 tuntia, jotta varmistetaan altaan kirkas vesi.
- Vaurioituneiden osien tai osasarjojen vaihto mahdollisimman pian on tärkeää. Käytä vain tuotteen markkinoille saattamisesta vastuussa olevan henkilön hyväksymiä osia.
- Kaikki suodattimet ja suodatinmateriaalit on tarkastettava säännöllisesti, jotta voidaan varmistaa, ettei hyvän suodatuksen estävää jätettä ole kertynyt. Kaikkien käytettyjen suodatinmateriaalien hävittämisen on tapahduttava asiaankuuluvien määräysten/lainsäädännön mukaisesti.
- Ota huomioon kaikki käyttöoppaassa kuvatut turvallisuusvaatimukset ja -suositukset. Jos olet epävarma pumpun tai jonkin kierrätysjärjestelmän laitteen suhteen, ota yhteyttä valtuutettuun asentajaan tai valmistajaan / maahantuojaan/jälleenmyyjään. Veden kierron asennuksen on täytettävä EU:n sekä kansalliset/paikalliset määräykset, varsinkin kun kyse on sähköön liittyvistä kysymyksistä. Kaikki venttiilin asennon, pumpun koon ja säleikön koon muutokset voivat aiheuttaa virtauksen muutoksen ja imunopeus voi kasvaa.
- Tätä tuotetta ei ole tarkoitettu kaupalliseen käyttöön.

Lue käyttöohje huolellisesti ja säilytä se myöhempää tarvetta varten.

SÄILYTÄ NÄMÄ OHJEET

HÄVITTÄMINEN

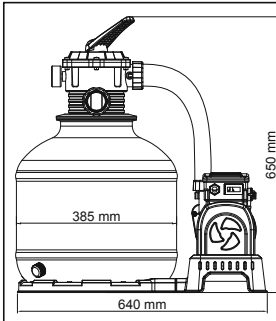


Yliviivatun roskasäiliön merkitys:

■ Älä hävitä sähkölaitteita sekajätteen mukana. Toimita ne ongelmajättekeräykseen.

Kysy keräysjärjestelmästä paikallisilta viranomaisilta. Jos sähkölaitteita joutuu kaatopaikalle, myrkyllisiä aineita voi vuotaa pohjaveteen ja joutua ravintoketjuun vahingoittaen ihmisten terveyttä ja hyvinvointia. Vaihdettaessa vanhoja laitteita uusiin, myyjällä on lakisääteinen velvollisuus ottaa vanha laite vähintäänkin ilmaiseksi hävitettäväksi.

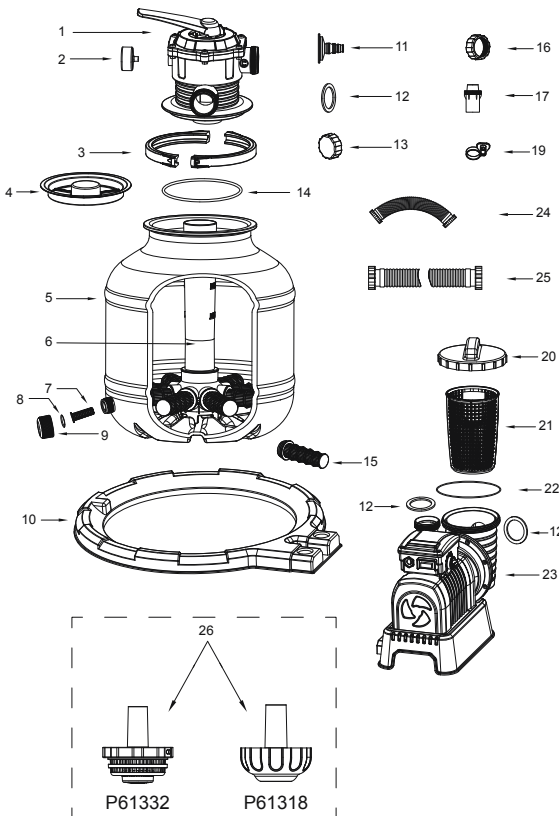
TEKNISET TIEDOT



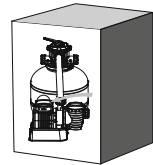
Suodattimen läpimitta:	385 mm
Tehokas suodatuspinta-ala:	0.11 m ² (1.18 ft ²)
Suurin käyttöpainne:	1.59 Bar (23 PSI)
Toimivan hiekkasuodattimen paine:	<0.55 Bar (8 PSI)
Korkein veden lämpötila:	35°C
Hiekka:	Não incluída
Hiekan karkeus:	Areia sílica #20, 0.45-0.85 mm
Hiekan määrä:	Aproximadamente 36 kg

OSAT

Tutustu hetki kaikkiin osiin ennen kuin kokoat hiekkasuodattimen.



A

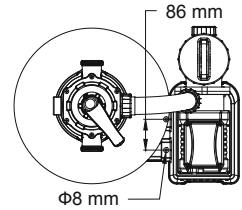


VIITENRO	VARAOSAN NRO	A
1	P03831	1
2	P61138ASS16	1
3	P03832	2
4	P61209ASS16	1
5	P03843	1
6	P03844	1
7	P61211ASS16	1
8	P6581ASS16	1
9	P6580ASS16	1
10	P03845	1
11	P6614ASS16	1
12	P6029ASS16	5
13	P03830	1
14	P61214ASS16	1
15	P61210ASS16	8
16	P03829	1
17	P6916ASS16	2
19	P6124ASS16	2
20	P6561ASS16	1
21	P6562ASS16	1
22	P6563ASS16	1
23	P03814(EU)/P03816(GB)	1
24	P03849	1
25	P6518ASS16	2
26	P61322ASS16	1
	P61318ASS16	1

Kokoaminen (Tarvitset ruuvimeisselin.)



1. Poista huolellisesti kaikki osat pakkauksesta ja tarkista, että mikään ei ole vahingoittunut. Jos laite on vahingoittunut, ilmoita välittömästi liikkeeseen, josta laite on ostettu.
2. Hiekkasuodatin tulee asettaa lujalle, tasaiselle alustalle, mieluiten betonilaatalle. Sijoita hiekkasuodatin siten, että liitännät ja säätöventtiili ovat tavoitettavissa käyttöä, huoltoa ja talvikäsittelyä varten.
3. Standardi EN 60335-2-41 edellyttää, että hiekkasuodatin asennetaan pystysuoraan maahan tai tietynlaiselle, puusta tai betonista tehdylle, alustalle ennen käyttöä, jotta se ei pääse kaatumaan. Täysin koottu hiekkasuodatin painaa yli 18kg. Kiinnitysreikien tulee olla 8mm läpimitaltaan ja sijaita 86mm:n päässä toisistaan. Kiinnitä hiekkasuodatin jalustaan kahdella pultilla ja mutterilla, joiden läpimitta on enintään 8mm.



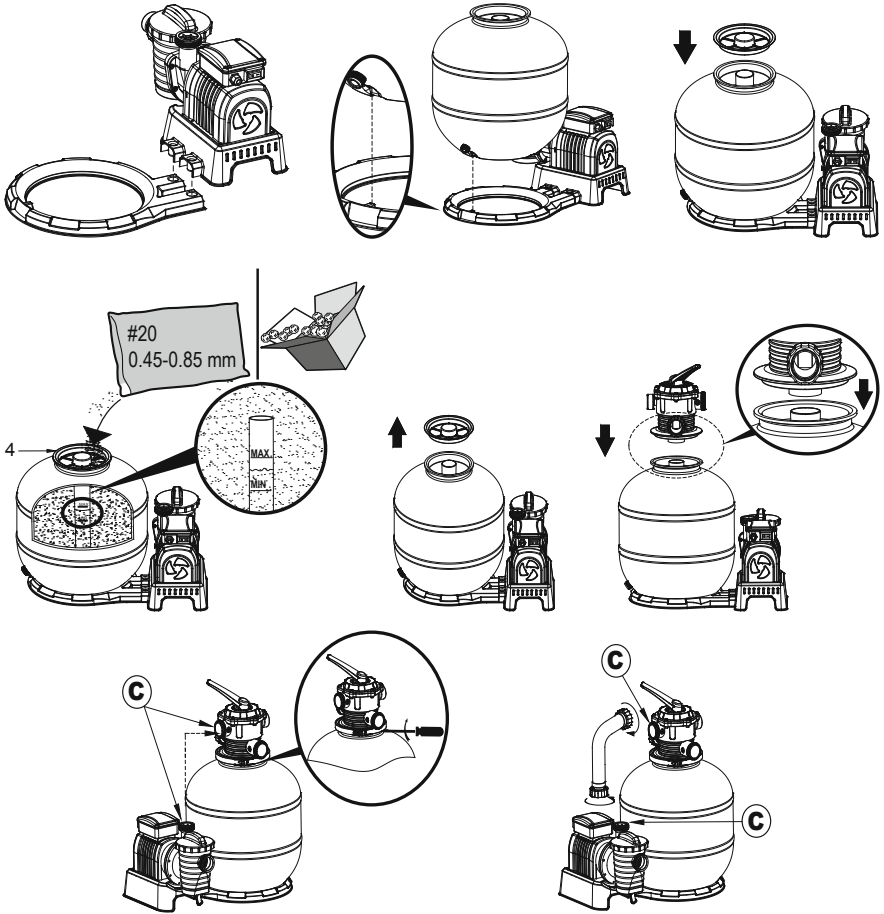
Lisää uima-altaaseen kelpaavaa suodatinhiekkää tai Flowclear™ Polyspherea.

MUISTUTUS: Käytä vain erityistä allaslaatuista suodatinhiekkää, joka ei sisällä kalkkia tai savea: Koon #20 piihiekkää, 0,45–0,85mm, noin 36kg:n pussi riittänee. Jos et käytä suositeltua hiekkasuodattimen kokoa, suodatusteho voi heikentyä ja hiekkasuodatin vaurioitua ja siten mitätöidä takuun.

MUISTUTUS: Jotta et vahingoittaisi kuorijaa hiekkää lisätessäsi, kaada hieman vettä alasäiliöön niin, että se peittää kuorijan keskiöllä.

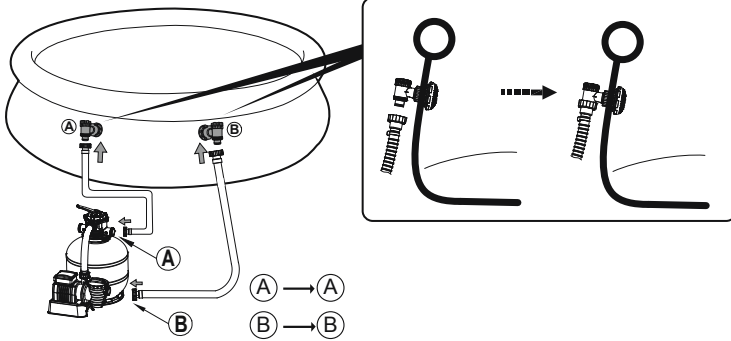
MUISTUTUS: Hiekka/Flowclear™ POLYSPHERE ei sisälly toimitukseen.

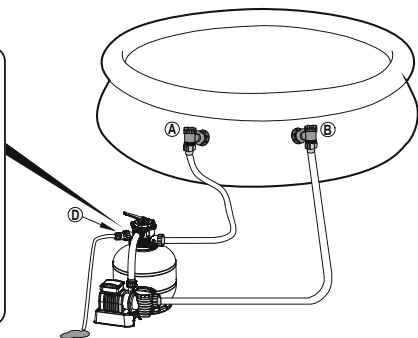
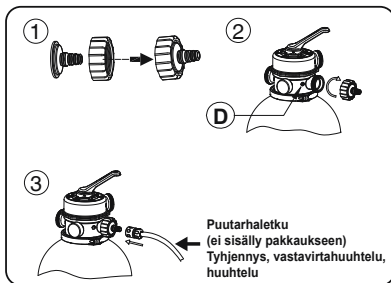
MUISTUTUS: Käytä 28 g (0,06 naulaa) Flowclear™ Polyspherea korvaamaan 1 kg (2,20 naulaa) hiekkää.



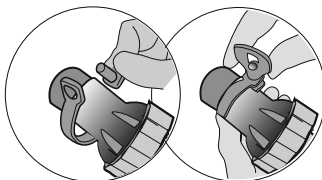
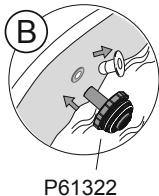
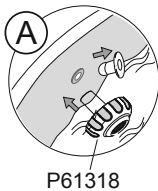
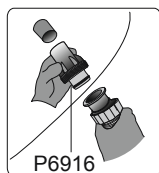
Liitä uima-altaaseen

1



2

Altaisiin, joissa on 32 mm:n venttiili (1.25 in)


SEIS

Lue käyttöohjeet huolellisesti ennen virran kytkemistä päälle.

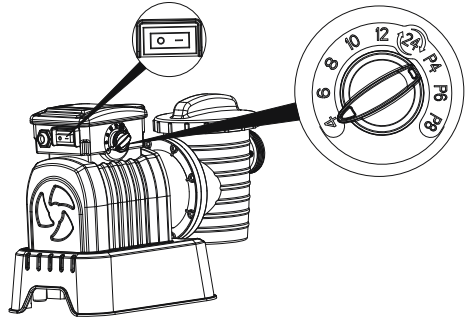
KÄYTTÖ

Ajastin

1. Liitä virtalähteeseen, vie virtakytkin ON-asentoon (-). Hiekkasuodatin käynnistyy heti.
2. Vie virtakytkin OFF-asentoon (0). Hiekkasuodatin sammuu heti.
3. Kun suodatin on päällä, voit säätää toiminta-ajan, lepoajan ja käyntisyklin kääntämällä nupin haluttuun asentoon. Katso lisätietoja alla olevasta taulukosta.
4. Kun ajastimen nappi on siirretty uuteen asentoon, suodattimen edellinen käyntisykli peruuntuu automaattisesti ja uusi sykli alkaa.

5. Aina kun suodattimeen kytketään virta tai kun se käynnistetään, uusi sykli alkaa ajastimen nupin asennon mukaisesti.

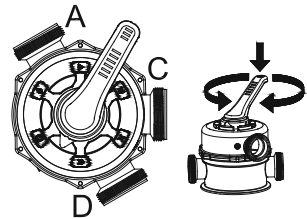
HUOMAA: Jos nappi on 24 tunnin asennossa (24), hiekkasuodatin toimii jatkuvasti ilman lepojaksoa.



Nupin asento (h)	Toiminta-aika (h)	Lepoaika (h)	Käyntisykli (h)
4	4	20	24
6	6	18	24
8	8	16	24
10	10	14	24
12	12	12	24
24	24	0	24
P4	4	4	8
P6	6	6	12
P8	8	8	16

SÄÄTÖVENTTIILIN YLEISKATSAUS

VAROITUS: Laitteen vahingoittumisen ja vammojen välttämiseksi irrota aina hiekkasuodattimen pumppu virtalähteestä ennen kuin muutat säätöventtiilin toimintoa.

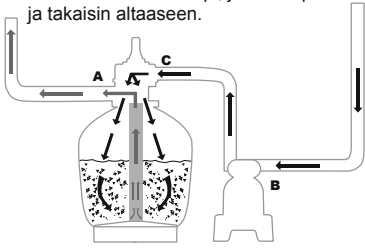


Säätöventtiilin asennon vaihtaminen pumpun käydessä voi vahingoittaa säätöventtiiliä, mikä voi aiheuttaa henkilö- tai omaisuusvahingon.

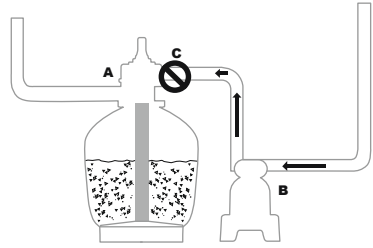
Säätöventtiilin käyttö

Paina säätöventtiilin vipu alas ja kierrä sitä haluamaasi suuntaan.

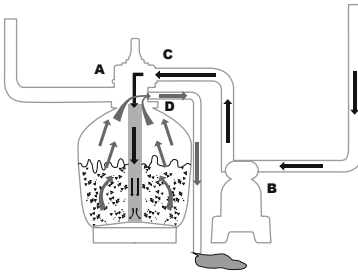
- ▶ **Suodata:** Tällä toiminnolla suodatetaan altaan vettä ja venttiili pitäisi olla tässä asennossa 99% ajasta. Vesi pumpataan hiekkasuodattimen läpi, jossa se puhdistuu, ja takaisin altaaseen.



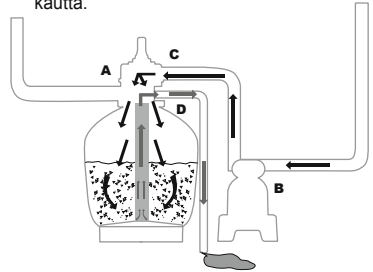
- ✘ **Suljettu:** Tämä toiminto estää veden virtauksen hiekkasuodattimen ja altaan välillä.



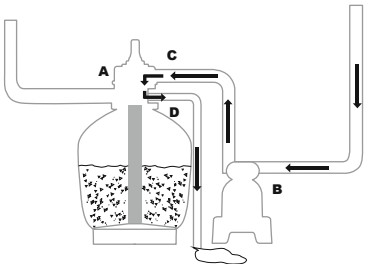
- ◀◀ **Pese:** Tällä toiminnolla puhdistetaan hiekka. Vesi pumpataan alas liitäntäkeskiön läpi, ylöspäin hiekan läpi ja poistetaan liitäntän D kautta.



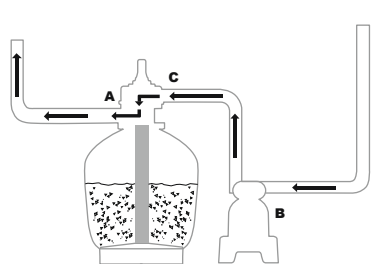
- ▶ **Huuhtelee:** Tätä toimintoa käytetään ensikäynnistyksen yhteydessä, puhdistukseen ja hiekan tasaamiseen pesun jälkeen. Vesi pumpataan alaspäin hiekan läpi, ylös liitäntäkeskiön läpi ja poistetaan liitäntän D kautta.



- ☹ **Tyhjennä:** Tämä toiminto tyhjentää veden altaasta. Tämäkin toiminto ohittaa suodattimen. Vesi pumpataan ja poistetaan liitäntästä D palauttamatta sitä altaaseen.



- ↻ **Kierrätä:** Tämä toiminto kierrättää allasvettä ohittamalla hiekkasuodattimen. Käytä tätä toimintoa, jos hiekkasuodatin on rikki kerätäksesi roskat roskasuodattimiin.



MUISTUTUS:

- Varmista, että asennus noudattaa kaikkia paikallisia ja kansallisia jäteveden käsittelyä koskevia määräyksiä. Älä poista vettä siten, että se aiheuttaa tulvan tai vahinkoa.
- Kun ohjausventtiili on asennossa Pese, Huuhtelee tai Tyhjennä, vesi poistuu säätöventtiiliin liitäntästä D.

- Älä kytke säätöventtiiliä pistorasiaan tai käytä sitä sen ollessa Suljettu-asennossa. Muuten se vahingoittaa vakavasti hiekkasuodatinta.
- Jos jätät säätöventtiin kahden toimintoasennon väliin, se vuotaa.
- Voit välttää vesivuodot sulkemalla ohjausventtiin D-portin D-portin korkilla ennen suodattimen tai kierrätystoiminnon käyttämistä.

Ilmanpoisto

Paina ohjausventtiin kahvaa ja odota, kunnes ilma alkaa virrata portista D.

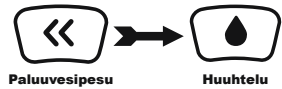
HUOMAA: On tärkeää toistaa tämä toimenpide aina, kun käynnistät pumpun talvisäilytyksen, huollontai hiekkakerroksen paluuvesipesun jälkeen.

KÄYTTÖOHJEET ENSIMMÄISTÄ KÄYTTÖKERTAA VARTEN

Paluuvesipesu ja huuhtelu on suoritettava pumpun valmistelemiseksi sen ensimmäistä käyttökertaa varten ja hiekan pesemiseksi.

VAROITUS: HIEKKASUODATTIMEN KUIVAKÄYNTI ON KIELLETTYÄ

1. Paina ohjausventtiiliä alas ja käännä paluuvesipesuasentoon.
2. Kytke pumpu virtalähteeseen ja anna hiekkasuodattimen käydä 3–5 minuutin ajan tai kunnes vesi on kirkasta.
3. Kytke hiekkasuodatin pois ja aseta ohjausventtiili huuhtelutoimintoon.
4. Kytke hiekkasuodatin päälle ja käytä suodatinta 1 minuutin ajan. Tämä kierrättää vettä takaisin hiekkasuodattimen läpi ja tyhjentää veden portista D.
5. Kytke hiekkasuodatin pois päältä. Aseta ohjausventtiili suljettutoimintoon.
6. Lisää allasvettä tarvittaessa.



TÄRKEÄÄ: Tämä toimenpide poistaa vettä altaasta, ja vettä on lisättävä tarpeen mukaan. Kytke hiekkasuodatin pois päältä heti, kun veden määrä on lähellä altaan tulo- ja poistoveniilleitä.

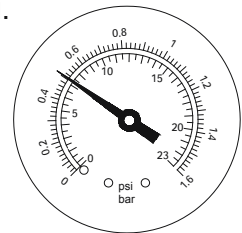
1. Hiekkasuodatin on nyt valmis käytettäväksi. Aseta säätöventtiili Suodata-asentoon.

MUISTUTUS: Sähköiskun vaaran välttämiseksi kuivaa ylimääräinen vesi itsestäsi ja hiekkasuodattimesta.

TÄRKEÄÄ: Tarkista ennen käyttämistä, että tankki on tukevasti paikallaan pohjan päällä ja liitetty oikein pumppuun.

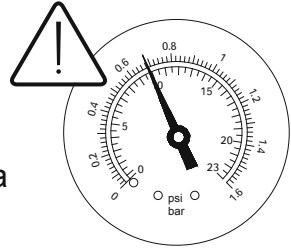
2. Kytke päälle hiekkasuodatin sen käyttämiseksi.

MUISTUTUS: Hiekkasuodatin on nyt käynnistänyt suodatusjakson. Tarkista, että vesi palaa altaaseen ja huomioi suodattimen paine painemittarista. Yleisesti suositeltu hiekkasuodattimen paine on alle 0.56Bar (8.0PSI) sen ollessa käynnissä.



Hiekkasuodattimen huolto

VAROITUS: Varmista, että hiekkasuodattimesta on katkaistu virta ja että se on irrotettu virtalähteestä, tai vakava loukkaantumis- tai kuolemanvaara on olemassa. Painemittarin paine nousee hiekankerääntyessä hiekkasuodattimeen.



Kun painemittarin lukema on 0.62 bar (9.0 PSI) tai enemmän, taivedenvirtaus altaaseen on liian hidasta, on aika puhdistaa hiekkasuodatin. Voit suorittaa puhdistuksen noudattamalla kaikkia seuraavassa kohdassa aiemmin kerrottuja ohjeit: **Vastavirtahuuhtelu ja huuhtelu.**

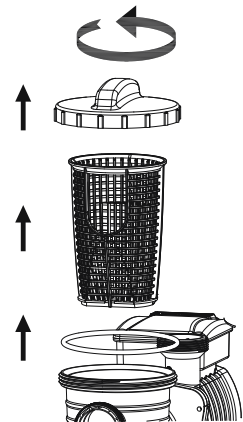
MUISTUTUS:

1. Painemittari on vain huoltoon varten, ja painemittarin arvo on vain viitteellinen, sitä ei tule käyttää täsmävälineenä.
2. Suosittelemme, että puhdistat hiekkakerroksen kerran kuukaudessa tai harvemmin riippuen siitä, kuinka usein allasta käytetään. Älä puhdistaa hiekkaa liian usein.

Siivilän puhdistus

1. Irrota hiekkasuodatin pistorasiasta ja aseta säätöventtiili suljettu-asentoon.
2. Aseta jätenäyttöjen tilalle tulpat estääksesi vettä karkaamasta.
3. Poista sihdin suojuksen ruuvaamalla se irti.
4. Irrota siivilä ja poista kaikki roskat.
5. Aseta siivilä takaisin paikalleen. Varmista, että siivilän reikä on kohdistettu oikein.
6. Varmista, että tiivisterengas on paikallaan. Ruuvaa sihdin suojuksen takaisin.
7. Poista tulpat ja aseta jätenäytöt.

MUISTUTUS: Siivilä on tyhjennettävä ja puhdistettava säännöllisesti. Likainen tai tukkeutunut siivilä heikentää hiekkasuodattimen toimintaa.



Altaan veden määrän vähentäminen tai altaan tyhjentäminen

1. Kytke hiekkasuodatin pois ja aseta ohjausventtiili tyhjennystoimintoon.
2. Irrota letku altaan portista A ja hiekkasuodattimen portista A ja liitä porttiin D.
3. Kytke hiekkasuodatin päälle ja käytä suodatinta poistaaksesi allasveden.

VAROITUS: HIEKKASUODATTIMEN KUIVAKÄYNTI ON KIELLETTYÄ.

Talvisäilytys ja pitkäaikainen säilytys

Alueilla joissa lämpötila laskee talvisin pakkasen puolelle, allas ja sen varusteet on valmisteltava talvisäilytykseen. Muussa tapauksessa pakkanen voi vahingoittaa niitä.


Veden jäätyminen hiekkasuodattimessa vioittaa suodatinta ja mitätöi takuun.

1. Paluuvesipese hiekkasuodatin.
2. Tyhjennä allas noudattaen altaan omistajan oppaan ohjeita.
3. Kierrä säiliön pohjassa olevan tyhjennysventtiilin korkki auki ja tyhjennä säiliöstä loput vedet.
4. Irrota molemmat letkut altaasta ja hiekkasuodattimesta.
5. Tyhjennä hiekka täysin säiliöstä ja kuivaa kaikki osat.
6. Säilytä hiekkasuodatinta kuivassa paikassa poissa lasten ulottuvilta.

VIANMÄÄRITYS

Ongelmat	Mahdolliset syyt	Ratkaisut
Hiekkaa valuu altaaseen	<ul style="list-style-type: none">- Hiekka on liian hienoa- Säätöventtiiliä on siirretty vastavirtahuuhtelusta suodatintoihimintoon pysäyttämättä hiekkasuodatinta- Hiekan pinta on liian korkealla- Reikäkauha on rikkoutunut	<ul style="list-style-type: none">- Suosittelemme 0,45-0,85 mm:n #20-kvartsihiekkää- Pysäytä hiekkasuodatin joka kerta, kun säädät säätöventtiiliä- Tarkista, onko hiekan pinta navan "MAX"- ja "MIN"-merkintöjen välissä- Vaihda reikäkauha
Vesi ei virtaa	<ul style="list-style-type: none">- Sulkutulppia ei ole poistettu- Ilmaa ei poistettu- Säätöventtiili on Kiinni-asennossa- Suodatin on tukossa- Hiekkasuodatin rikki	<ul style="list-style-type: none">- Poista sulkutulpat, ja aseta roska-suodattimet paikoilleen.- Poista ilma- Valitse suodatintoihiminto- Puhdista suodatin- Soita huoltoon
Liian suuri paine suodattimessa	<ul style="list-style-type: none">- Likainen suodatin- Kalkkeutunut hiekkakerros- Riittämätön vastavirtahuuhtelu- Painemittari rikki	<ul style="list-style-type: none">- Tee vastavirtahuuhtelu- Tarkista hiekka ja vaihda tarvittaessa- Jatka vastavirtahuuhtelua, kunnes ulos virtaava vesi on kirkasta- Vaihda painemittari
Säätöventtiili vuotaa portista D	<ul style="list-style-type: none">- Säätöventtiili on asetettu kahden toiminnon välille- Tiiviste on rikkoutunut	<ul style="list-style-type: none">- Valitse yksi toiminto- Vaihda tiiviste
Liittimet vuotavat	<ul style="list-style-type: none">- Liitinten tiivistysrengas ei paikallaan- Liitinten tiivistysrengas rikki- Letkuja irrallaan	<ul style="list-style-type: none">- Aseta tiivistysrengas paikalleen- Vaihda tiivistysrengas- Kiristä ne

ZANDFILTER GEBRUIKSAANWIJZINGEN

Bezoek het Bestway YouTube-kanaal 



VEILIGHEIDSINSTRUCTIES

WAARSCHUWING

BELANGRIJKE VEILIGHEIDSINSTRUCTIES LEES ALLE VEILIGHEIDSINSTRUCTIES EN VOLG ZE OP.

Bij het installeren en gebruiken van deze elektrische apparatuur, moeten de basisvoorzorgsmaatregelen voor de veiligheid altijd worden opgevolgd:

- De pomp moet gevoed worden door een scheidingstransformator of via een aardlekschakelaar (RCD) met een aardlekstroom van maximaal 30 mA.
- De stroombron op de wand van het gebouw moet zich op een afstand van meer dan 4 m van het zwembad bevinden
- Het apparaat moet voorzien zijn van een gearde voedingsbron.
- **GEVAAR VOOR ELEKTRISCHE SCHOKKEN** - De pomp kan niet worden gebruikt wanneer er zich mensen in het zwembad bevinden. Laat niemand in het zwembad gaan als het zandfilter beschadigd is.
- **GRAAF HET SNOER NIET IN.** Zorg ervoor dat het snoer niet kan worden beschadigd door grasmaaiers, heggenscharen of andere machines.
- Vervang beschadigde snoeren onmiddellijk, om het gevaar voor elektrische schokken te beperken.
- Als het elektriciteits snoer beschadigd is, dient het te worden vervangen door de fabrikant of diens onderhoudstechnicus of een dergelijk deskundig persoon, om alle gevaar te voorkomen.
- Verlengsnoeren mogen niet worden gebruikt.
- Gevaar voor elektrische schokken. Het gebruik van het zandfilter met een niet-bijpassende stroombron is gevaarlijk en brengt het zandfilter onherstelbare schade toe.
- Verwijder nooit de aarde-pin en verander niets aan de stekker. Gebruik geen verloopstekkers. Raadpleeg een bevoegde elektricien voor al uw vragen met betrekking tot de aarding van de stekker.
- Voorzichtig, het zandfilter is breekbaar. Sleep en draag het zandfilter niet aan het snoer. Trek nooit de stekker aan het snoer uit het stopcontact. Zorg

ervoor dat het snoer niet beschadigt. Het zandfilter mag niet in aanraking komen met scherpe voorwerpen, olie, bewegende delen en hitte.

- Haal altijd de stekker van dit product uit het stopcontact voordat u het product verwijdert, schoonmaakt, repareert of er wijzigingen aan aanbrengt.
 - Steek de stekker nooit in het stopcontact of haal de stekker nooit uit het stopcontact met een natte hand
 - Haal de stekker altijd uit het apparaat:
 - Op regenachtige dagen
 - Voorafgaand aan reiniging of ander onderhoud
 - Indien onbeheerd tijdens vakanties
 - Wanneer het apparaat langdurig niet gebruikt wordt, zoals in de winter, dan moet de zwembadset gedemonteerd worden en binnen worden opgeslagen.
 - **LET OP:** Lees de instructies alvorens het apparaat te gebruiken en voor elke installatie/hermontage.
 - Goed bewaren van de instructies. Iedere keer wanneer u het zwembad opzet, dient u de instructies te raadplegen
 - Als u de instructies kwijt bent, neem dan contact op met Bestway of zoek het op, op website: www.bestwaycorp.com
 - Elektrische installaties moeten de nationale bedradingsregelgevingen volgen. Raadpleeg een gekwalificeerd elektricien indien u vragen hebt.
- LET OP:** Dit zandfilter mag uitsluitend worden gebruikt voor zwembaden die opgeslagen kunnen worden. Gebruik het filter niet voor blijvend geïnstalleerde zwembaden. Een zwembad dat opgeslagen kan worden, is zo gebouwd dat het snel kan worden ontmanteld voor opslag en ook weer snel kan worden opgebouwd. Een blijvend geïnstalleerd zwembad staat zodanig in of op de grond of in een structuur dat het niet snel kan worden ontmanteld voor opslag.
- Dit apparaat kan worden gebruikt door kinderen vanaf 8 jaar en personen met beperkte fysieke, sensorische of mentale capaciteiten, of gebrek aan ervaring en kennis, indien zij onder supervisie staan of instructies hebben gekregen over het gebruik van het apparaat op een veilige manier en de gevaren ervan begrijpen. Kinderen mogen niet met het apparaat spelen. Reinigen en gebruiksonderhoud mag niet door kinderen worden verricht zonder supervisie. (Voor EU-markt)
 - Dit apparaat is niet bedoeld voor gebruik door personen (met inbegrip van kinderen) met verminderde fysieke, zintuiglijke of mentale vermogens, of gebrek aan ervaring en kennis, tenzij zij toezicht hebben of

geïnstreueerd zijn over het gebruik van het apparaat door een persoon die verantwoordelijk is voor hun veiligheid. Er moet toezicht worden gehouden op kinderen, zodat ze niet met het apparaat kunnen spelen.

(Voor markt anders dan EU)

- Reiniging en onderhoud moeten uitgevoerd worden door een volwassene die ouder is dan 18 jaar en die bekend is met het risico van elektrische schokken.

OPMERKING:

- Plaats het zandfilter op een stevige en vlakke ondergrond. Zorg ervoor dat het zandfilter ten minste 2meter van het zwembad af staat. Houd de afstand zo groot mogelijk.
- Zorg ervoor dat het zwembad en het filter zo zijn opgesteld dat er voldoende ventilatie, afvoer en mogelijkheid tot schoonmaken zijn. Plaats het zandfilter nooit op een plek waar zich water kan verzamelen of in een drukke looproute.
- De stekker moet ook toegankelijk blijven nadat het bad is geïnstalleerd. De stekker van het zandfilter moet ten minste 3.50meter van het zwembad verwijderd zijn.
- De weersomstandigheden kunnen de werking en de levensduur van het zandfilter negatief beïnvloeden; neem maatregelen om het zandfilter te beschermen tegen onnodige slijtage die kan optreden tijdens perioden van koud of heet weer en/of blootstelling aan de zon.
- Controleer voor gebruik of alle onderdelen van het zandfilter aanwezig zijn. Meld beschadigingen of missende onderdelen bij aankoop aan de klantenservice van Bestway (de gegevens staan in deze handleiding).
- Alle versleten onderdelen moeten zo snel mogelijk worden vervangen. Gebruik uitsluitend de onderdelen die door de fabrikant zijn goedgekeurd.
- Sta niet toe dat kinderen of volwassenen op het apparaat leunen of zitten.
- Doe geen chemicaliën in het zandfilter.
- Bij het gebruik van chemicaliën voor het schoonmaken van het water in het zwembad, is het aan te raden om een minimale filtertijd aan te houden voor de gezondheid van de zwemmers die afhankelijk is van het voldoen aan de gezondheidsvoorschriften.
- Alleen de bijgeleverde media of deze aangegeven door de fabrikant mogen bij de installatie van het product gebruikt worden.
- Het is essentieel te controleren dat de zuigopeningen niet geblokkeerd zijn.
- Het is raadzaam de filtratie te stoppen tijdens onderhoudswerkzaamheden aan het filtersysteem.

- Controleer regelmatig het verstoppingsniveau van de filter.
- Een wekelijkse controle is aanbevolen voor terugspoelen of reinigen. Een minimum dagelijkse filterbedrijfstijd van 8 uur is aanbevolen om te zorgen voor helder zwembadwater.
- Het is essentieel om elk beschadigd element of set van elementen zo snel mogelijk te vervangen. Gebruik alleen onderdelen goedgekeurd door de persoon verantwoordelijk voor de introductie van het product op de markt.
- Alle filters en filtermedia zullen regelmatig geïnspecteerd worden om ervoor te zorgen dat er geen opeenhoping van vuil is wat een goede filtratie verhindert. Het verwijderen van gebruikte filtermedia moet gebeuren volgens de toepasselijke regelgevingen/wetgeving.
- Volg alle veiligheidseisen en aanbevelingen beschreven in de handleiding. In het geval van twijfel over de pomp of circulatie-apparaten, neem contact op met een bevoegde installateur, of de fabrikant/importeur/distributeur. De watercirculatieinstallatie moet voldoen aan de Europese maar ook aan nationale/lokale regelgevingen, vooral voor wat betreft elektrische kwesties. Elke wijziging van de kleppositie, pompgrootte, roostermaat kan een wijziging van de stroming veroorzaken en de zuigsnelheid kan verhogen.
- Dit product is niet bestemd voor een commercieel gebruik.

Lees de handleiding zorgvuldig en bewaar ze voor toekomstige referentie.

BEWAAR DEZE INSTRUCTIES

AFVOEREN ALS AFVAL



Betekenis van de doorkruiste vuilnisbak op wielen:

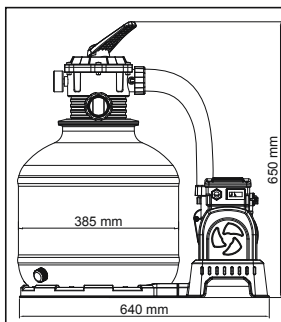
Elektrische apparatuur dient niet afgedankt te worden samen met het gewoon huishoudelijk afval.

Contacteer uw plaatselijke overheid om meer informatie te krijgen over de beschikbare manieren van afvalophaling.

Wanneer elektrische apparatuur gedumpt wordt in de natuur, kunnen gevaarlijke stoffen in het grondwater sijpelen en in de voedselketen terechtkomen, wat schadelijk is voor uw gezondheid en welzijn.

Wanneer u uw oude apparatuur wilt vervangen door nieuwe, is de verkoper wettelijk verplicht uw oude apparatuur gratis terug te nemen voor afdanking.

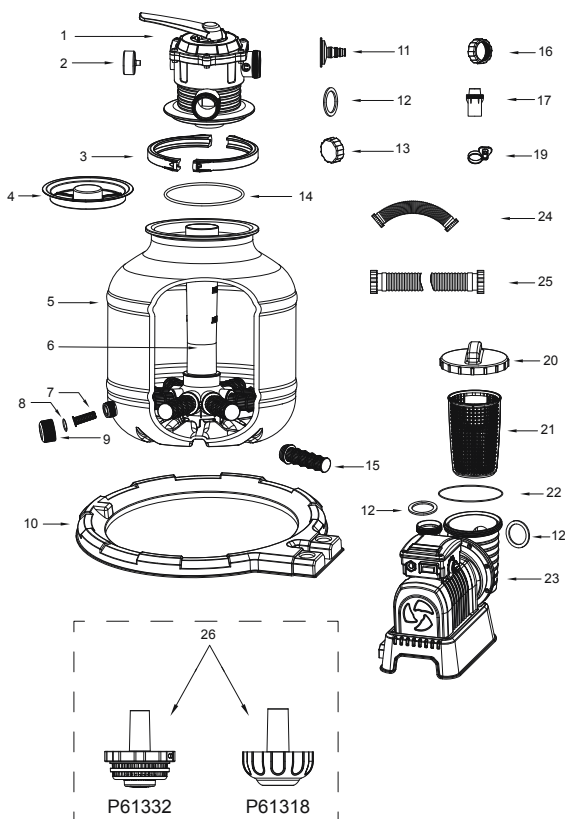
SPECIFICATIES



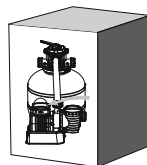
Diameter van het filter:	385 mm
Effectief filtergebied:	0.11 m ² (1.18 ft ²)
Max. bedrijfsdruk:	1.59 Bar (23 PSI)
Zandfilterdruk in bedrijf:	<0.55 Bar (8 PSI)
Max. watertemperatuur:	35°C
Zand:	Niet inbegrepen
Formaat zand:	#20 silicazand, 0.45-0.85 mm
Inhoud zand:	Ongeveer 36 kg

OVERZICHT VAN DE ONDERDELEN

Neem een paar minuten de tijd om alle onderdelen te leren kennen voordat u het zandfilter in elkaar zet.



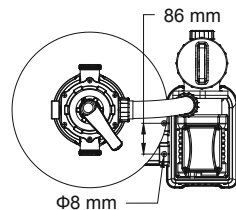
A



REF.NR.	NR. WISSELOND.	A
1	P03831	1
2	P61138ASS16	1
3	P03832	2
4	P61209ASS16	1
5	P03843	1
6	P03844	1
7	P61211ASS16	1
8	P6581ASS16	1
9	P6580ASS16	1
10	P03845	1
11	P6614ASS16	1
12	P6029ASS16	5
13	P03830	1
14	P61214ASS16	1
15	P61210ASS16	8
16	P03829	1
17	P6916ASS16	2
19	P6124ASS16	2
20	P6561ASS16	1
21	P6562ASS16	1
22	P6563ASS16	1
23	P03814(EU)/P03816(GB)	1
24	P03849	1
25	P6518ASS16	2
26	P61322ASS16	1
	P61318ASS16	1

Monteren (U hebt een schroevendraaier nodig.)

1. Verwijder alle onderdelen voorzichtig uit de verpakking en controleer of er niets is beschadigd. Als de apparatuur is beschadigd, meld dat dan onmiddellijk aan de verkoper bij wie u de apparatuur hebt gekocht.
2. Het zandfilter moet op een stevige, vlakke ondergrond worden gezet, bij voorkeur een betonnen plaat. Plaats het zandfilter zodanig dat de poorten en de regelklep toegankelijk zijn voor bediening, onderhoud en klaarmaken voor de winter.
3. De EN60335-2-41 TEST-norm vereist dat de zandfilter vóór gebruik verticaal bevestigd moet worden op de grond of op een voetstuk van hout of beton, zodat hij niet accidenteel kan vallen. De volledig geassembleerde zandfilter weegt meer dan 18kg. De montagegaten moeten een diameter hebben van 8mm en moeten een onderlinge afstand van 86mm hebben. Gebruik twee bouten en moeren met een maximale diameter van 8mm om de zandfilter op het voetstuk te bevestigen.



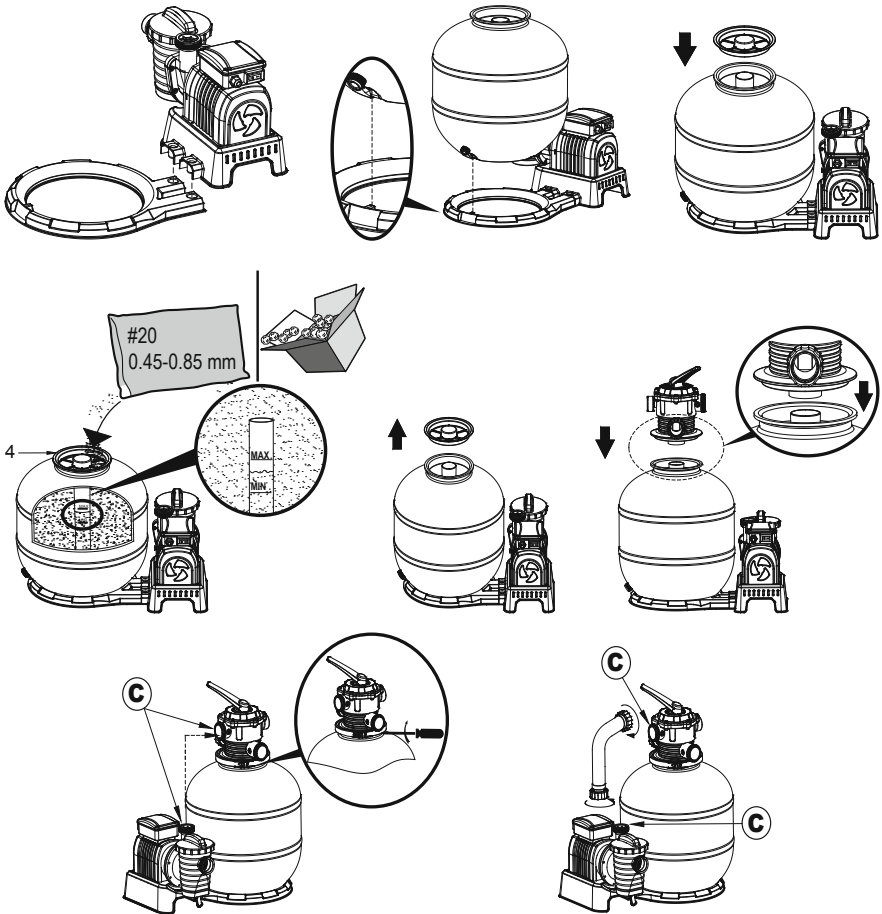
Laad zwembadkwaliteit filterzand/Flowclear™ Polysphere.

OPMERKING: Gebruik alleen speciaal filterzand voor zwembaden, zonder kalk of klei. #20 Silicazand 0.45 - 0.85mm, een zak van 36kg moet ongeveer voldoende zijn. Als u de geadviseerde grootte van het filterzand niet aanhoudt, dan wordt de filterprestatie beperkt en het zandfilter kan beschadigen, waarbij ook de garantie vervalt.

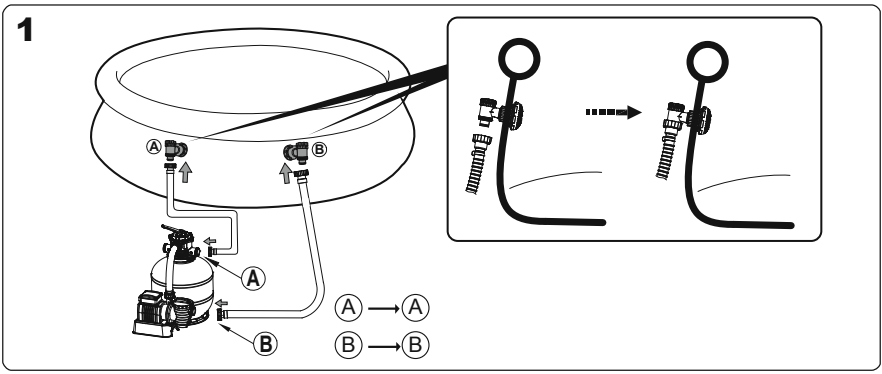
OPMERKING: Om te voorkomen dat de skimmer beschadigt bij het toevoegen van het zand, giet u wat water in de ondertank zodat de skimmer op de verzamelaar onder water staat.

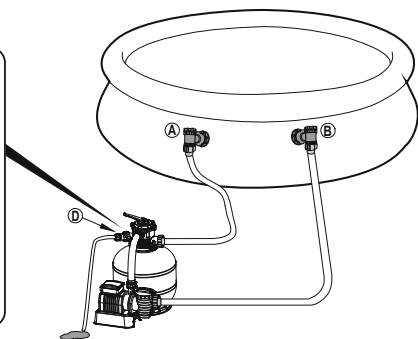
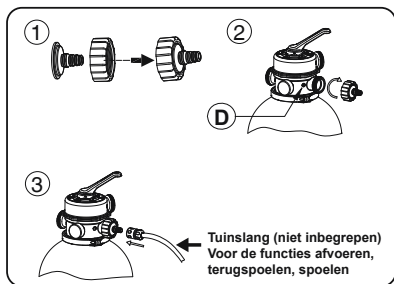
OPMERKING: Zand/Flowclear™ Polysphere niet inbegrepen.

OPMERKING: Gebruik 28 g (0.06 lbs) Flowclear™ Polysphere als vervanging van 1 kg (2.20 lbs) zand.

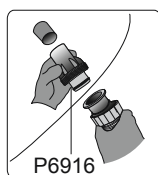


Sluit aan op het zwembad

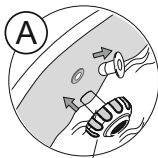


2

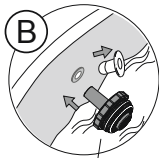
Voor zwembad met ventiel van 32mm (1.25in)



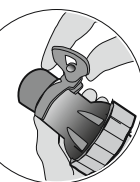
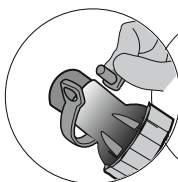
P6916



P61318



P61322

**STOP**

Lees de handleiding zorgvuldig alvorens in te schakelen.

WERKING

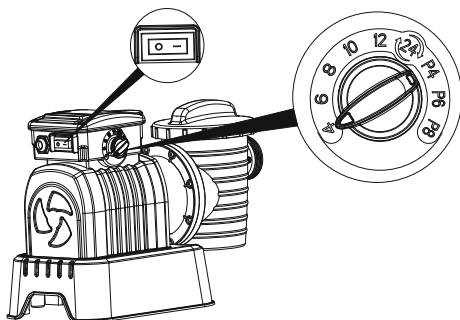
Timer

1. Steek de stekker in het stopcontact en zet de voedingsschakelaar op "AAN" (-). Het zandfilter begint onmiddellijk te werken.
2. Zet de voedingsschakelaar op "UIT" (0). Het zandfilter stopt onmiddellijk met werken.
3. Na het inschakelen kunt u de werktijd, rusttijd en cyclustijd instellen door de knop op de gewenste positie te draaien. Zie de onderstaande tabel voor meer informatie.
4. Wanneer de timerknop op een nieuwe positie wordt gezet, wordt de vorige filtercyclus automatisch

geannuleerd zodat de nieuwe cyclus kan beginnen.

5. Steeds wanneer het filter wordt ingeschakeld of opnieuw wordt gestart, begint er een nieuwe cyclus op basis van de positie van de timerknop.

OPMERKING: Als de knop op de 24-uurspositie wordt gezet (24), werkt het zandfilter doorlopend zonder rustperiodes.



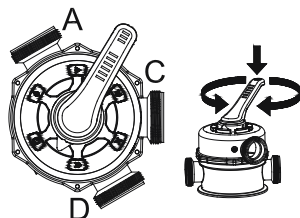
Positie van de knop	Werktijd (u)	Rusttijd (u)	Cyclusperiode (u)
4	4	20	24
6	6	18	24
8	8	16	24
10	10	14	24
12	12	12	24
24	24	0	24
P4	4	4	8
P6	6	6	12
P8	8	8	16

OVERZICHT VAN DE REGELKLEP

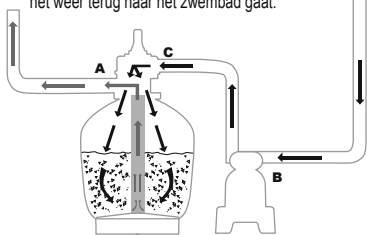
WAARSCHUWING: Haal de stekker van de zandfilterpomp altijd uit het stopcontact voordat u de functie van de regelklep verandert om schade aan de apparatuur en verwondingen te voorkomen. Het wijzigen van de klepposities terwijl de pomp werkt kan de regelklep beschadigen, hetgeen verwondingen aan personen of schade aan voorwerpen kan veroorzaken.

De regelklep gebruiken

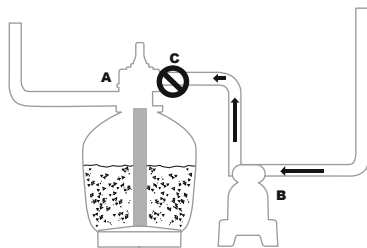
Duw de hendel van de regelklep omlaag en draai de hendel op de gewenste functie.



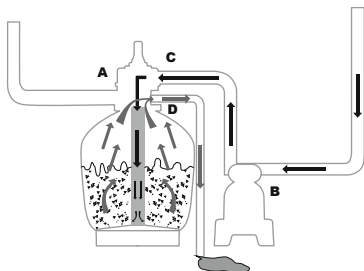
▶ Filteren: Deze functie wordt gebruikt om zwembadwater te filteren; de regelklep moet 99% van de tijd op deze functie staan. Er wordt water door het zandfilter gepompt. In het zandfilter wordt het water schoongemaakt, waarna het weer terug naar het zwembad gaat.



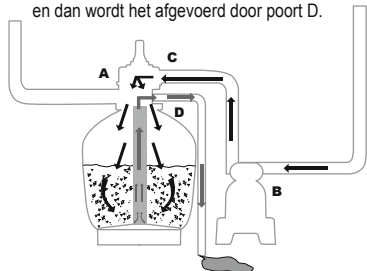
✗ Gesloten: Deze functie zorgt ervoor dat er geen water meer stroomt tussen het zandfilter en het zwembad.



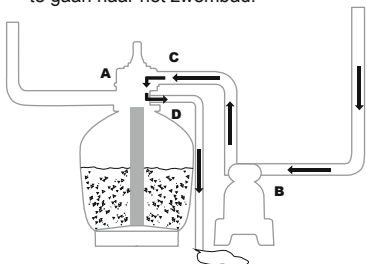
◀ Zand reinigen: Deze functie wordt gebruikt om het zandbed te reinigen; er wordt water omlaag gepompt door de aansluiting, omhoog door het zandbed en afgevoerd door poort D.



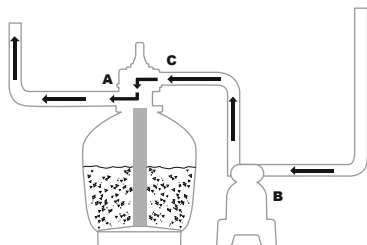
💧 Spoelen: Deze functie is voor de eerste maal dat de pomp wordt gestart, het schoonmaken van het zand en het nivelleren van het zandbed na het reinigen van het zand; er wordt water naar beneden door het zand gepompt, omhoog door de aansluiting en dan wordt het afgevoerd door poort D.



⌵ Afvoeren: Deze functie voert water af uit het zwembad; ook bij deze functie gaat het water niet door het filter: het water wordt door poort D afgevoerd in plaats van terug te gaan naar het zwembad.



↻ Circuleren: Deze functie laat het zwembadwater circuleren zonder het door het zandfilter te laten komen; gebruik deze functie als het filter kapot is om vuil te verzamelen in de vuilopvangschermen.



OPMERKING:

- Zorg ervoor dat alle maatregelen voor het afvoerwater voldoen aan de van toepassing zijnde plaatselijke, regionale of nationale wetten. Voer water niet af op plaatsen waar het overstromingen of schade veroorzaakt.
- Als de regelklep op de positie Zand reinigen, Spoelen of Afvoeren wordt gezet, wordt er water afgevoerd via poort D op de regelklep.
- Steek de stekker van het zandfilter niet in het stopcontact en zet het filter niet

aan terwijl de regelklep op de functie Gesloten staat, anders wordt het zandfilter ernstig beschadigd.

- Zet de regelklep niet tussen twee functies in, anders zal er lekkage optreden.
- Om waterlekkage te vermijden, schroef de Poort D Dop op de Regelklep Poort D vooraleer de filter of circulatiefilter in werking te zetten.

Ontluchting

Druk de regelklephendel naar omlaag en wacht tot het water uit Poort D loopt om de lucht te laten ontsnappen.

OPMERKING: Het is belangrijk om deze bewerking te herhalen telkens als u de pomp start na winterklaar maken, onderhoud en terugspoelen van het zandbed.

INSTRUCTIES BIJ EERSTE GEBRUIK

Terugspoelen en spoelen moeten worden uitgevoerd om de pomp op zijn eerste gebruik voor te bereiden en om het zand te wassen.



LET OP: LAAT DE ZANDFILTER NIET DROOG WERKEN

1. Druk de regelklephendel naar beneden en draai naar de functie Terugspoelen.
2. Sluit aan en laat de zandfilter gedurende 3-5 min werken of tot het water helder is.
3. Schakel de zandfilter uit en zet de regelklep op de spoelfunctie.
4. Schakel de zandfilter in en laat deze 1 min werken. Dit circuleert het water achterwaarts door de zandfilter en voert water af uit poort D.
5. Schakel de zandfilter uit. Stel de regelklep in op de gesloten functie.
6. Voeg zwembadwater toe indien nodig.

BELANGRIJK: Deze procedure verwijdert water uit het zwembad, dat u moet vervangen. Schakel de zandfilter onmiddellijk uit indien de waterniveaus nabij de invoer- en uitvoerventilen van het zwembad zijn.

1. Nu is het zandfilter klaar voor gebruik. Zet de regelklep op de functie Filteren.

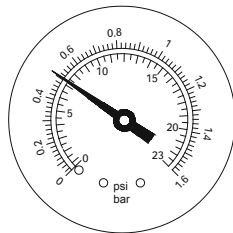
OPMERKING: Maak eerst uzelf en het zandfilter droog om elektrische schokken te voorkomen.

BELANGRIJK: Vóór de werking, zorg ervoor dat de tank stevig op zijn basis staat en correct is aangesloten op de pomp.

2. Schakel de zandfilter in.

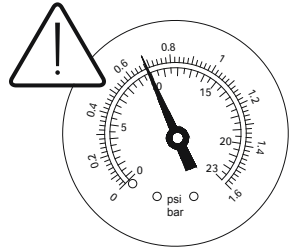
OPMERKING: Het zandfilter is nu begonnen met zijn filtercyclus. Controleer of het water terugloopt in het zwembad en controleer de filterdruk op de drukmeter.

Gewoonlijk is de aanbevolen zandfilterdruk lager dan 0.56Bar (8.0PSI) als het zandfilter loopt.



Onderhoud van het zandfilter

LET OP: U moet ervoor zorgen dat de zandfilter losgekoppeld is van het stopcontact voor u onderhoud uitvoert anders is er een ernstig risico op letsel of overlijden. Naarmate er meer vuil in de zandfilter geraakt, zal de druklezing op de manometer stijgen. Als de druklezing op de manometer 0,62 Bar (9,0 PSI) of hoger is of de waterstroom naar het zwembad te laag is, is het tijd om het zand te reinigen. Om het zandbed te reinigen, volg alle instructies eerder uiteengezet in: **Terugspoelen en spoelen.**



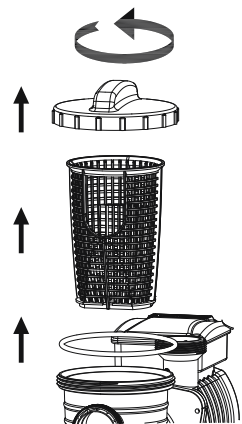
OPMERKING:

1. De manometer dient enkel voor onderhoudsdoeleinden en de waarde van de manometer dient enkel ter referentie, het is geen precisietoestel.
2. We bevelen aan dat u het zandbed eenmaal per maand reinigt of minder vaak afhankelijk van hoe het zwembad gebruikt wordt. Reinig het zand niet te vaak.

De pompkorf reinigen

1. Koppel de zandfilter los en zet de stuurklep in de stand Gesloten.
2. Plaats de afvalschermen met stoppen terug omte voorkomen dat het water wegloopt.
3. Verwijder de afdekking van de pompkorf door die los te schroeven.
4. Verwijder de pompkorf en elimineer eventueel vuil.
5. Plaats de pompkorf terug. Zorg ervoor dat de opening in de pompkorf uitgelijnd is.
6. Zorg ervoor dat de afdichtingsring op zijn plaats zit. Schroef de afdekking van de pompkorf weer op zijn plaats.
7. Verwijder de stoppen en plaats de afvalschermen.

OPMERKING: De pompkorf moet periodiek geleidigd en gereinigd worden. Een vuile of vastgeslibde pompkorf zal de prestaties van de zandfilter verminderen.



Zwembadwater doen zakken of afvoeren

1. Schakel de zandfilter uit en zet de regelklep op de afvoerfunctie.
2. Haal de slang van Poort A van het zwembad en Poort A van de zandfilter en bevestig aan Poort D
3. Schakel de zandfilter in om de filter te laten werken en het zwembadwater te verwijderen.

WAARSCHUWING: LAAT DE ZANDFILTER NIET DROOG WERKEN Klaarmaken voor de winter en langdurige opberging

In gebieden met vriestemperaturen in de winter, moet de apparatuur klaar gemaakt worden voor te winter om te beschermen tegen schade. Het water laten bevriezen zal de zandfilter beschadigen en de garantie ongeldig maken.

1. Laat de zandfilter terugspoelen.
2. Laat het bad leeglopen volgens de instructies in de relatieve handleiding.
3. Draai de afvoerlepdop los op de onderkant van de tank en laat het resterende water weglopen.
4. Koppel de twee slangen los van het zwembad en de zandfilter.
5. Haal alle zand uit de tank en droog de onderdelen af.
6. Bewaar de zandfilter op een droge plaats, buiten het bereik van kinderen.

PROBLEEM OPLOSSEN

Problemen	Mogelijke Oorzaken	Oplossingen
Er loopt zand uit het zwembad	<ul style="list-style-type: none">- Zand is te fijn- Verplaatst het regelventiel van de spoel- naar de filterfunctie zonder het zandfilter te stoppen- Het zandniveau is te hoog- De skimmer is gebroken	<ul style="list-style-type: none">- 0.45mm tot 0.85mm #20 silicaat zand wordt aangeraden- Stop het zandfilter elke keer als het regelventiel wordt ingesteld- Controleer of het zandniveau tussen de aangegeven "MAX" en "MIN" op de opslaghub zit- Vervang de skimmer
Geen watertoevoer	<ul style="list-style-type: none">- De stoppen zijn niet verwijderd- Er kwam geen lucht vrij- Het regelventiel is ingesteld op Dicht- De zeef zit verstopt- Het zandfilter is kapot	<ul style="list-style-type: none">- Verwijder de stoppen en monteer het puinscherm- Laat lucht vrij- Stel in op de filterfunctie- Maak de zeef schoon- Bel voor hulp
Te hoge filterdruk	<ul style="list-style-type: none">- Vuil filter- Verkalkte zandbodem- Onvoldoende spoeling- Het drukventiel is kapot	<ul style="list-style-type: none">- Spoelen- Controleer het zand en vervang zo nodig- Spoelen tot de uitstroom goed loopt- Vervang het drukventiel
Het Regelventiel lekt vanuit ingang D	<ul style="list-style-type: none">- Het Regelventiel is ingesteld tussen twee functies in- De afdichting is kapot	<ul style="list-style-type: none">- Stel in op één functie- Vervang de afdichting
De aansluitingen lekken	<ul style="list-style-type: none">- De borgring van de aansluitingen zit niet op de juiste plaats- De borgring van de aansluitingen is kapot- Losse Slangen	<ul style="list-style-type: none">- Zet de borgring op de juiste plaats- Vervang de borgring- Draai ze aan

FILTRO A SABBIA MANUALE D'USO

Visita il canale Bestway su YouTube 



ISTRUZIONI DI SICUREZZA

AVVERTENZA

ISTRUZIONI DI SICUREZZA IMPORTANTI LEGGERE

ATTENTAMENTE E SEGUIRE TUTTE LE ISTRUZIONI DI SICUREZZA

Durante l'installazione e l'utilizzo di questa apparecchiatura elettrica, è fondamentale rispettare le precauzioni di sicurezza basilari, tra cui:

- la pompa deve essere alimentata da un trasformatore di isolamento o tramite un interruttore differenziale con corrente residua nominale non superiore a 30 mA.
- La fonte di alimentazione a parete deve trovarsi a una distanza di almeno 4 m dalla piscina.
- L'apparecchio deve essere alimentato da un alimentatore provvisto di messa a terra
- **RISCHIO DI SCOSSA ELETTRICA** - Non adoperare la pompa quando le persone si trovano nella piscina. Vietare l'accesso alla piscine in caso di danni al filtro per sabbia.
- **NON SOTTERRARE I CAVI.** I cavi devono essere posizionati in luoghi dove non sia poi necessario utilizzare tagliaerba, tagliasiepi o altre attrezzature.
- Per ridurre il rischio di scossa elettrica, sostituire immediatamente i cavi danneggiati.
- Per evitare il verificarsi di situazioni pericolose, se il cavo di alimentazione è danneggiato, deve essere sostituito dal produttore, dal tecnico della manutenzione o da una persona qualificata.
- Non è possibile utilizzare prolunghe.
- Rischio di scossa elettrica. L'utilizzo del filtro a sabbia con un'alimentazione elettrica non adeguata è pericoloso e può danneggiare in modo permanente il filtro stesso.
- Non rimuovere la presa di messa a terra o modificare in alcun modo la spina. Non utilizzare adattatori di corrente. Rivolgersi ad un elettricista qualificato per informazioni sulla validità della proprie prese o della messa a terra.

- Maneggiare con cura il filtro a sabbia. Non trascinare o spostare il filtro a sabbia utilizzando il cavo di alimentazione. Estrarre la spina dalla presa senza tirare bruscamente il cavo di alimentazione. Evitare la formazione di abrasioni sul cavo di alimentazione. Tenere il filtro a sabbia lontano da oggetti appuntiti, olio combustibile, parti mobili o fonti di calore.
- Scollegare sempre il prodotto dalla presa di corrente prima di rimuovere, pulire, eseguire la manutenzione o regolare il prodotto.
- Non collegare o scollegare l'apparecchio con le mani bagnate
- Scollegare sempre l'apparecchio:
 - Nei giorni di pioggia
 - Prima di eseguire operazioni di pulizia o manutenzione
 - Se lasciata incustodita durante le vacanze
- Se il prodotto non viene utilizzato per lunghi periodi, ad esempio in inverno, la piscina deve essere smontata e conservata al chiuso.
- **ATTENZIONE:** leggere sempre le istruzioni prima di utilizzare l'apparecchiatura e prima di procedere con l'installazione e le operazioni di montaggio/smontaggio.
- Custodire le istruzioni. Per riassemblare il set piscina, consultare le istruzioni.
- Se le istruzioni sono andate perse, contattare Bestway o consultare il sito Internet: www.bestwaycorp.com
- Gli impianti elettrici devono rispettare le norme nazionali di cablaggio. Per informazioni rivolgersi a un elettricista qualificato.

ATTENZIONE: Questo filtro a sabbia può essere utilizzato solo con piscine smontabili. Non utilizzare con piscine installate in modo permanente. Una piscina smontabile è costruita in modo tale da essere rapidamente smontata per la conservazione e riassembleata nuovamente, mantenendo l'integrità iniziale. Essendo interrata o montata in superficie, una piscina installata in modo permanente non consente il rapido smontaggio per la conservazione.

- Questa apparecchiatura non è destinata all'uso da parte di persone (bambini di età inferiore a 8 anni inclusi) con capacità fisiche, mentali e sensoriali ridotte o mancanza di esperienza e conoscenze adeguate, a meno che non siano supervisionate e istruite ad un uso sicuro dell'apparecchio e se sono stati compresi i rischi connessi. I bambini devono sempre essere controllati per evitare che giochino con il prodotto. La pulizia e la manutenzione non devono essere eseguite dai bambini senza la supervisione di un adulto. (Per il mercato UE)
- Questa apparecchiatura non è progettata per essere utilizzata da persone (bambini inclusi) con ridotte funzionalità fisiche, sensoriali o

mentali o da persone inesperte, a meno che non vengano controllate o che una persona responsabile della loro sicurezza non abbia spiegato loro il funzionamento dell'apparecchiatura. I bambini devono essere controllati per evitare che giochino con l'apparecchiatura. (Per un mercato diverso da UE)

- La pulizia e manutenzione devono essere eseguite da un adulto maggiorenne e totalmente consapevole del pericolo di scosse elettriche.

NOTA:

- Posizionare il filtro a sabbia su una superficie piana e uniforme. Assicurarsi che sia posizionato ad almeno 2 metri di distanza dalla piscina. Mantenere la massima distanza possibile.
- Nel posizionare la piscina e il filtro a sabbia, assicurarsi sempre che ci sia una ventilazione adeguata, nonché possibilità di scolo e accesso per la manutenzione. Non posizionare mai il filtro a sabbia in aree che favoriscono l'accumulo dell'acqua o nei punti di passaggio.
- Dopo l'installazione della piscina, è necessario che nelle vicinanze sia presente una presa. La presa del filtro a sabbia deve essere situata ad almeno 3,5 m di distanza dalla piscina
- Le condizioni atmosferiche possono incidere sulle prestazioni e sulla durata del filtro a sabbia; cercare quindi di proteggere il filtro a sabbia da freddo, calore o esposizione al sole eccessivi che possono causare il deterioramento del prodotto.
- Verificare la presenza di tutti i componenti del filtro a sabbia prima dell'utilizzo. Contattare Bestway all'indirizzo del servizio clienti riportato nel presente manuale per comunicare la mancanza di componenti o la presenza di parti danneggiate al momento dell'acquisto.
- È importante e necessario sostituire al più presto tutte le parti deteriorate. Utilizzare solo parti approvate dal costruttore.
- Non consentire a bambini e adulti di appoggiarsi o sedersi sul dispositivo.
- Non aggiungere prodotti chimici al filtro a sabbia.
- In caso di utilizzo di prodotti chimici per la pulizia dell'acqua della piscina, si raccomanda di aspettare che sia trascorso del tempo per l'esecuzione del filtraggio per salvaguardare la salute dei nuotatori che dipende al rispetto delle norme in materia di salute.
- Solo il supporto fornito o specificato dal produttore deve essere utilizzato con l'installazione del prodotto.
- È obbligatorio accertarsi che le aperture per l'aspirazione non siano ostruite.
- È consigliabile interrompere il filtraggio durante le operazioni di manutenzione sul sistema di filtraggio.

- Monitorare regolarmente il livello di ostruzione del filtro.
- Si raccomanda un controllo settimanale per il lavaggio in controcorrente o la pulizia. Per garantire la pulizia dell'acqua della piscina si consiglia un tempo minimo giornaliero di funzionamento del sistema di filtraggio di 8 ore.
- È fondamentale sostituire i componenti danneggiati il prima possibile. Utilizzare esclusivamente componenti approvati dal responsabile dell'immissione del prodotto sul mercato.
- Tutti i filtri e dispositivi di filtraggio devono essere ispezionati regolarmente per evitare che un accumulo di detriti impedisca un buon filtraggio. Lo smaltimento dei dispositivi di filtraggio deve avvenire nel rispetto delle normative vigenti.
- Prestare attenzione ai requisiti di sicurezza e alle raccomandazioni descritte nel manuale. In caso di dubbio sulla pompa o su qualsiasi dispositivo di circolazione, contattare un installatore qualificato, o il produttore/importatore/distributore. L'impianto di circolazione dell'acqua deve essere conforme alle normative europee, nazionali e locali, soprattutto per quanto concerne i problemi elettrici. Qualsiasi cambiamento nella posizione della valvola, nelle dimensioni della pompa o nelle dimensioni della griglia può causare una variazione del flusso e la velocità di aspirazione può essere aumentata.
- Questo prodotto non è destinato all'uso commerciale.

Leggere attentamente il manuale di istruzioni e conservarlo per futuri riferimenti.

CONSERVARE QUESTE ISTRUZIONI

SMALTIMENTO



Significato del bidone a rotelle con una croce sopra:

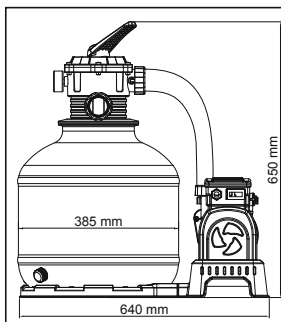
■ Non smaltire le apparecchiature elettriche con i normali rifiuti solidi urbani, ma raccogliarli separatamente.

Per informazioni sui sistemi di raccolta disponibili, contattare le autorità locali.

In caso di smaltimento delle apparecchiature elettriche in discariche, eventuali perdite di sostanze pericolose potrebbero inquinare la falda acquifera ed entrare nella catena alimentare, danneggiando così la salute e il benessere delle persone.

Come previsto dalla legge, in caso di sostituzione delle apparecchiature il venditore è obbligato a ritirare il vecchio dispositivo per il suo smaltimento gratuito.

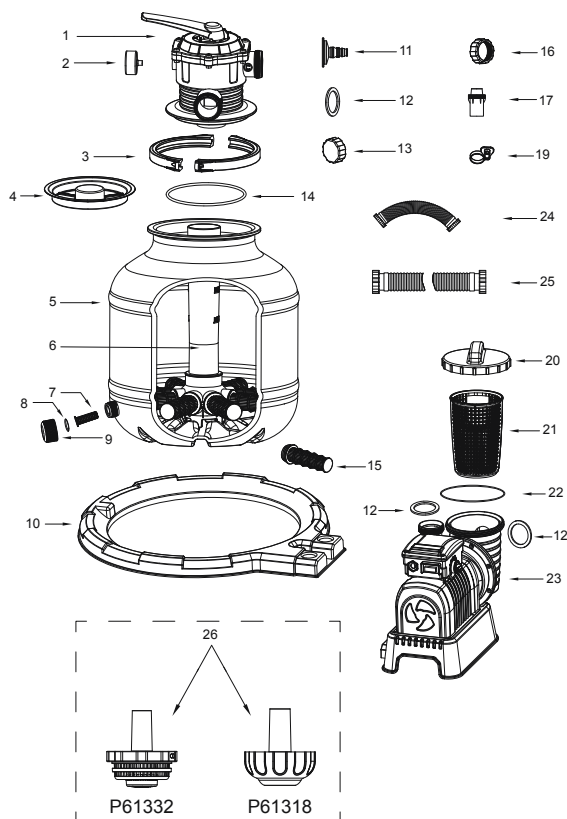
CARATTERISTICHE TECNICHE



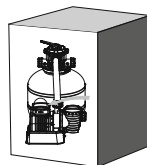
Diametro del filtro:	385 mm
Area del filtro effettiva:	0.11 m ² (1.18 ft ²)
Pressione d'esercizio max:	1.59 Bar (23 PSI)
Pressione di funzionamento del filtro a sabbia:	<0.55 Bar (8 PSI)
Temperatura max. dell'acqua:	35°C
Sabbia:	Non inclusa
Dimensione sabbia:	Sabbia di silice n. 20, 0,45-0,85 mm
Capacità di sabbia:	Circa 36 kg

VISTA D'INSIEME DEI COMPONENTI

Comprendere l'utilizzo di tutti i componenti prima di procedere al montaggio del filtro a sabbia.



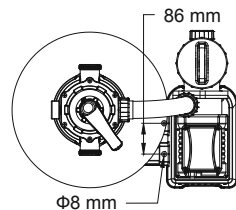
A



N. RIF.	N. PARTE DI RICAMBIO	A
1	P03831	1
2	P61138ASS16	1
3	P03832	2
4	P61209ASS16	1
5	P03843	1
6	P03844	1
7	P61211ASS16	1
8	P6581ASS16	1
9	P6580ASS16	1
10	P03845	1
11	P6614ASS16	1
12	P6029ASS16	5
13	P03830	1
14	P61214ASS16	1
15	P61210ASS16	8
16	P03829	1
17	P6916ASS16	2
19	P6124ASS16	2
20	P6561ASS16	1
21	P6562ASS16	1
22	P6563ASS16	1
23	P03814(EU)/P03816(GB)	1
24	P03849	1
25	P6518ASS16	2
26	P61322ASS16	1
	P61318ASS16	1

Montaggio (Occorre un cacciavite.)

1. Rimuovere con cura tutti i componenti dalla confezione e verificare che non ci sia nulla di danneggiato. Se il dispositivo presenta dei danni, rivolgersi immediatamente al rivenditore presso il quale è stato effettuato l'acquisto.
2. Il filtro a sabbia deve essere posizionato su una superficie piana e uniforme, preferibilmente in cemento. Posizionare il filtro a sabbia in modo da rendere possibile l'azionamento, la manutenzione e la conservazione delle porte e della valvola di controllo.
3. In base allo standard EN60335-2-41 TEST, il filtro a sabbia deve essere fissato verticalmente a terra o ad un basamento in legno o cemento prima dell'utilizzo al fine di impedire eventuali cadute accidentali. Il peso del filtro a sabbia montato supera i 18kg. I fori di montaggio devono avere un diametro di 8 mm ed essere distanziati tra loro di 86mm. Utilizzare due bulloni e dadi con un diametro di massimo 8 mm per fissare il filtro a sabbia al basamento.



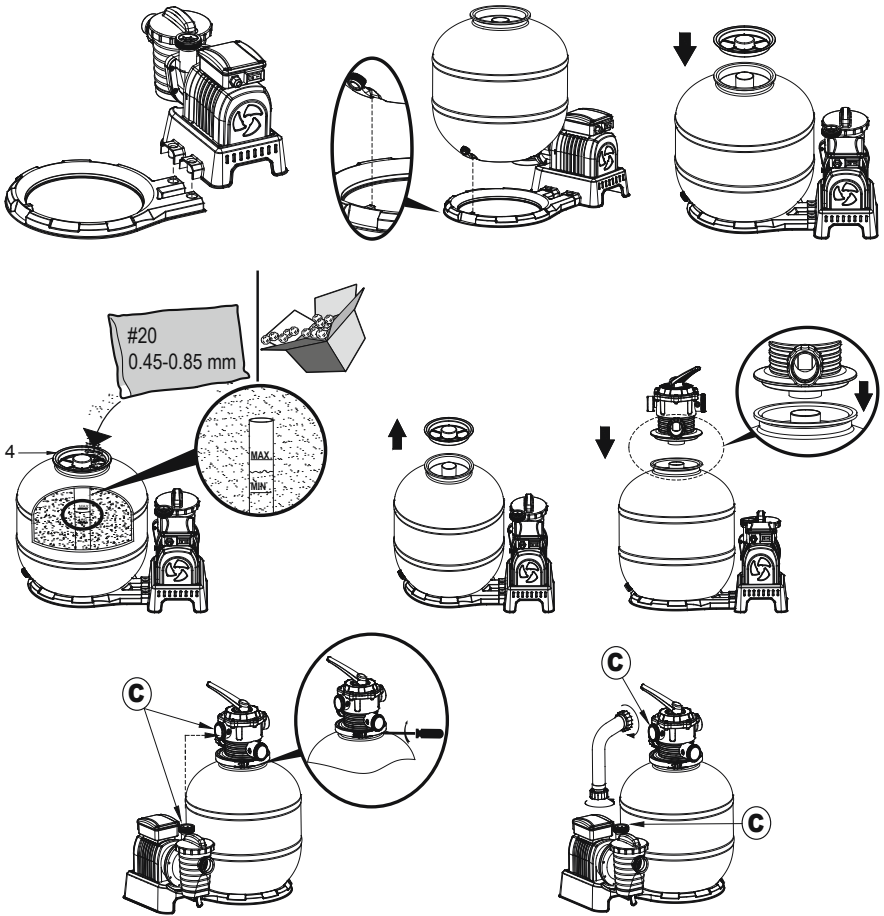
Caricare la sabbia per filtri piscine\Sfere in fibra di polietilene Flowclear™

NOTA: Utilizzare solo sabbia per filtri adatta a piscine, priva di calcare o argilla. Dovrebbe essere sufficiente una confezione da 36kg di sabbia di silice n. 20 da 0,45-0,85mm. L'uso di un sabbia non adeguata può compromettere il risultato dell'operazione di filtraggio e danneggiare il filtro a sabbia, rendendo nulla la garanzia.

NOTA: Per non danneggiare lo skimmer quando si aggiunge la sabbia, versare dell'acqua nel serbatoio inferiore in modo da sommergere lo skimmer sulla bussola del collettore.

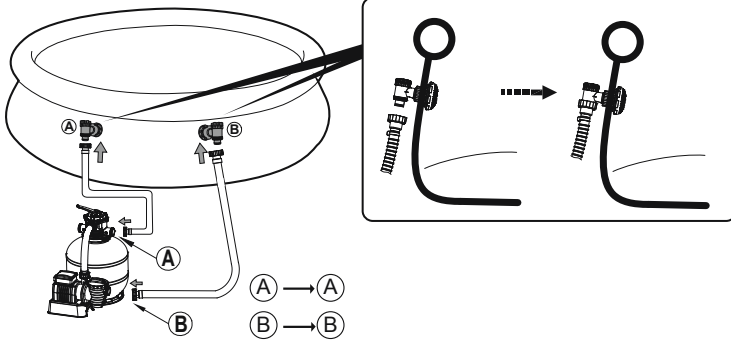
NOTA: Sabbia\Sfere Flowclear™ non incluse.

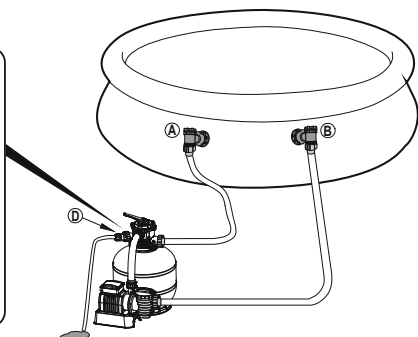
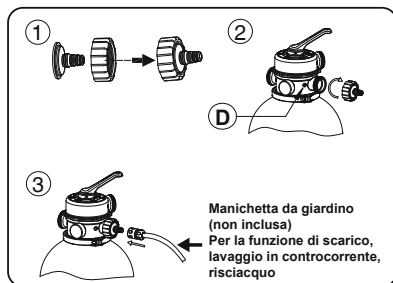
NOTA: Utilizzare 28 g (0,06 lbs) di sfere in fibra di polietilene Flowclear™ sostituiscono un 1 kg (2,20 lbs) di sabbia.



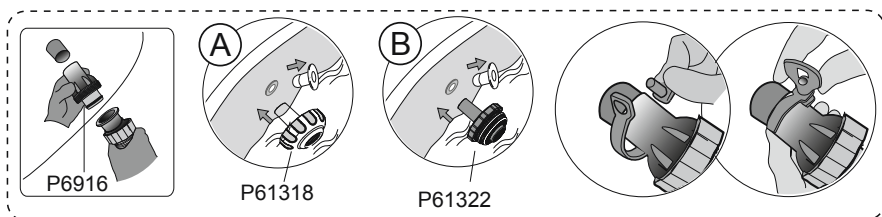
Collegare alla piscina

1



2

Per piscine con valvola da 32 mm



STOP

Prima dell'accensione, consultare attentamente il manuale.

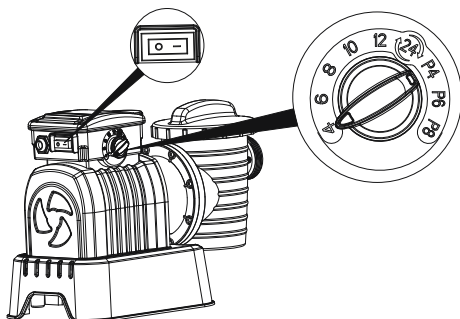
USO

Timer

1. Collegare alla presa di corrente, quindi impostare l'interruttore di alimentazione su ON (-). Il filtro a sabbia entra in funzione immediatamente.
2. Impostare l'interruttore di alimentazione su OFF (0). Il filtro a sabbia si arresta immediatamente.
3. Una volta acceso, è possibile regolare tempo di funzionamento, tempo di stop e durata del ciclo, ruotando il selettore sulla posizione desiderata. Consultare la seguente tabella per ulteriori dettagli.
4. Impostare il selettore su una nuova posizione annulla il ciclo precedente e avvia quello prescelto.

5. Ogni volta che il filtro viene collegato all'alimentazione o rimesso in funzione, si avvia un nuovo ciclo in base alla posizione del selettore.

NOTA: Se il selettore è impostato sulla posizione 24-ore (24), il filtro a sabbia rimarrà in funzione continuamente senza intervallo di pausa.



Posizione del selettore	Tempo di funzionamento (H)	Tempo di stop (H)	Durata del ciclo (H)
4	4	20	24
6	6	18	24
8	8	16	24
10	10	14	24
12	12	12	24
24	24	0	24
P4	4	4	8
P6	6	6	12
P8	8	8	16

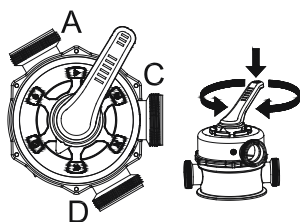
PANORAMICA SULLA VALVOLA DI CONTROLLO

AVVERTENZA: Per evitare danni al dispositivo o possibili lesioni, scollegare sempre la pompa con filtro a sabbia prima di cambiare la funzione della valvola di controllo.

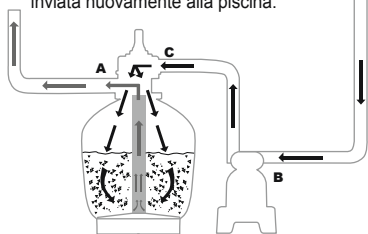
La modifica delle posizioni della valvola di controllo mentre la pompa è in uso può causare lesioni alle persone o danni al prodotto.

Come utilizzare la valvola di controllo

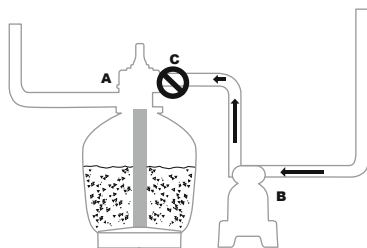
Spingere verso il basso la maniglia della valvola di controllo e ruotare sulla funzione desiderata.



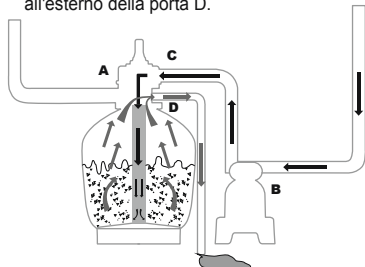
Filtraggio: Questa funzione è utilizzata per il filtraggio dell'acqua della piscina; è la posizione maggiormente utilizzata. L'acqua viene pompata attraverso il filtro a sabbia, dove viene pulita e inviata nuovamente alla piscina.



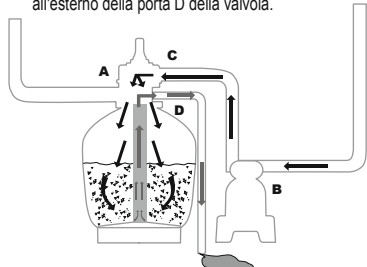
Chiusura: Questa funzione interrompe il flusso dell'acqua tra il filtro a sabbia e la piscina.



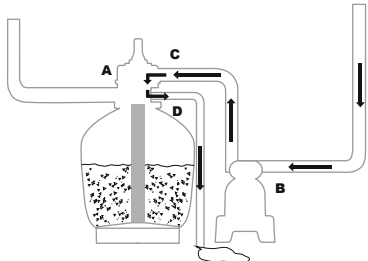
Lavaggio a controcorrente: Questa funzione è utilizzata per pulire il letto di sabbia; l'acqua viene pompata verso il basso attraverso la bussola del connettore, spinta verso l'alto attraverso il letto di sabbia e, infine, depositata all'esterno della porta D.



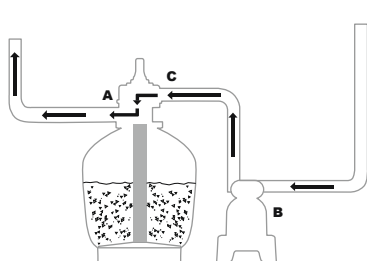
Risciacquo: Questa funzione è utilizzata per l'avvio iniziale, la pulizia e il livellamento del letto di sabbia dopo il lavaggio a controcorrente; l'acqua viene pompata verso il basso attraverso il letto di sabbia, spinta verso l'alto attraverso la bussola del connettore e depositata all'esterno della porta D della valvola.



Scolo: Questa funzione consente il deflusso dell'acqua dalla piscina senza l'impiego del filtro; l'acqua viene infatti pompata e depositata all'esterno della porta D anziché inviata nuovamente alla piscina.



Circolazione: Questa funzione consente la circolazione dell'acqua della piscina senza l'impiego del filtro a sabbia; può essere utilizzata quando il filtro è rotto per raccogliere i rifiuti negli appositi schermi.



NOTA:

- Assicurarsi che tutte le modalità di smaltimento delle acque di scarto soddisfino le normative locali, regionali o statali. Non scaricare l'acqua nei punti in cui può causare inondazioni o danni.
- Quando la valvola di controllo è impostata sulle posizioni di lavaggio a controcorrente, risciacquo o scolo, l'acqua viene scaricata dalla porta D sulla valvola stessa.

- Non collegare o azionare il filtro a sabbia quando la valvola di controllo è impostata sulla funzione di chiusura o altrimenti la pompa si danneggerà in modo irreparabile.
- Non impostare mai la valvola di controllo tra due funzioni in quanto potrebbero verificarsi delle perdite.
- Per evitare perdite d'acqua, avvitare il tappo sul foro D della valvola di controllo prima di azionare il filtro o la funzione di circolazione.

Rilascio dell'aria

Premere verso il basso la manopola della valvola di controllo e attendere il flusso d'acqua dal foro D per rilasciare l'aria.

NOTA: è importante ripetere questa operazione ogni volta che si avvia la pompa dopo la stagione invernale, la manutenzione e il lavaggio in controflusso del letto di sabbia.

ISTRUZIONI PER IL PRIMO UTILIZZO

Eseguire il lavaggio in controflusso e il risciacquo per preparare la pompa al primo utilizzo, quindi lavare la sabbia.



ATTENZIONE: IL FILTRO A SABBIA NON DEVE FUNZIONARE A SECCO

1. Premere verso il basso la maniglia della valvola di controllo e ruotare sulla funzione di lavaggio in controflusso.
2. Applicare e azionare il filtro a sabbia per 3-5 minuti o fino a quando l'acqua scorre pulita.
3. Spegnerne il filtro a sabbia e collocare la valvola di controllo in posizione di risciacquo.
4. Accendere il filtro a sabbia e azionarlo per 1 minuto in modo che l'acqua circoli a ritroso nel filtro a sabbia e venga scaricata dal foro D.
5. Spegnerne il filtro a sabbia. Collocare la valvola di controllo in posizione di chiusura.
6. Eseguire un rabbocco d'acqua, se necessario.

IMPORTANTE: con questa procedura si rimuove l'acqua dalla piscina e sarà necessario cambiare l'acqua.

Se il livello dell'acqua è prossimo alle valvole di ingresso e di uscita della piscina, spegnere immediatamente il filtro a sabbia.

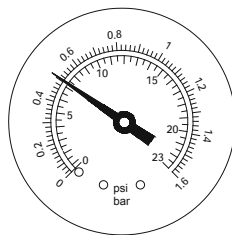
1. Ora il filtro a sabbia è pronto per essere utilizzato. Impostare la valvola di controllo sulla funzione di filtraggio.

NOTA: Per evitare il rischio di scossa elettrica, asciugarsi con cura ed eliminare l'acqua in eccesso dal filtro a sabbia.

IMPORTANTE: Prima di procedere, assicurarsi che il serbatoio sia posizionato in modo stabile sulla sua base e correttamente collegato alla pompa.

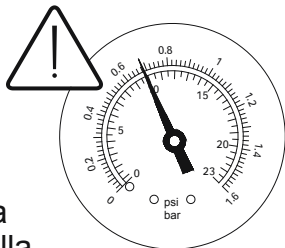
2. Per azionare il filtro a sabbia, accenderlo.

NOTA: A questo punto il filtro a sabbia inizia il suo ciclo di filtraggio. Verificare che l'acqua ritorni alla piscina e prendere nota della pressione del filtro indicata sul manometro. In genere la pressione del filtro a sabbia consigliata è inferiore a 0.56Bar (8.0PSI) durante il funzionamento.



Manutenzione del filtro a sabbia

ATTENZIONE: per evitare il rischio di subire lesioni anche fatali, accertarsi che il filtro a sabbia sia spento e scollegato prima di avviare le operazioni di manutenzione. Man mano che la sporcizia si accumula nel filtro a sabbia, il valore della pressione sul manometro aumenterà. Quando il manometro segna un valore uguale o superiore a 0,62 Bar (9,0 PSI) o il flusso dell'acqua verso la piscina è troppo debole, è necessario pulire la sabbia. Per pulire il letto di sabbia, seguire le istruzioni precedentemente descritte in: **Lavaggio in controcorrente e risciacquo.**



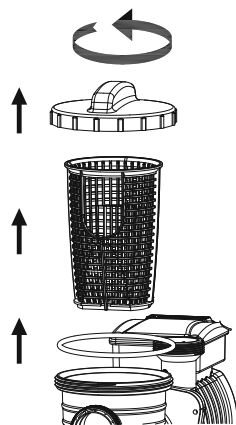
NOTA:

1. il manometro serve solo a scopo di manutenzione e il valore indicato è solo di riferimento, per cui il manometro non essere utilizzato come strumento di precisione.
2. si raccomanda di pulire il letto di sabbia una volta al mese o con una frequenza minore, a seconda di quanto viene utilizzata la piscina. Non pulire la sabbia con una frequenza eccessiva.

Pulizia del filtro

1. Scollegare il filtro a sabbia e impostare la valvola di controllo sulla funzione di chiusura.
2. Sostituire gli schermi per detriti con spinotti di arrestoper impedire all'ac qua di fuoriuscire.
3. Svitare il coperchio del filtro per rimuoverlo.
4. Estrarre e pulire il filtro.
5. Riposizionare il filtro, assicurandosi che i fori siano allineati.
6. Verificare che l'anello di tenuta sia in posizione. Riavvitare il coperchio del filtro.
7. Rimuovere gli spinotti di arresto e inserire i filtri per detriti

NOTA: Il filtro deve essere svuotato e pulito regolarmente. Un filtro sporco o bloccato riduce notevolmente le prestazioni del filtro a sabbia.



Riduzione o scarico dell'acqua della piscina

1. Spegnerne il filtro a sabbia e collocare la valvola di controllo in posizione di scarico.
2. Staccare il tubo dal foro A della piscina e dal foro A del filtro a sabbia e collegarlo al foro D.

3. Accendere il filtro a sabbia e azionarlo per rimuovere l'acqua della piscina.

AVVERTENZA:IL FILTRO A SABBIA NON DEVE FUNZIONARE A SECCO.

Preparazione per l'inverno e stoccaggio a lungo termine

Nelle zone con temperature invernali gelide, l'attrezzatura della piscina deve essere preparata per l'inverno per proteggerla dai danni.


Il congelamento dell'acqua, infatti, danneggerebbe il filtro a sabbia e invaliderebbe la garanzia.

1. Lavare in controflusso il letto di sabbia.
2. Far defluire l'acqua dalla piscina rispettando le istruzioni riportate nel manuale d'uso.
3. Svitare il tappo della valvola di scarico sul fondo del serbatoio e rilasciare l'acqua rimanente.
4. Scollegare i due tubi flessibili dalla piscina e dal filtro a sabbia.
5. Svuotare completamente il serbatoio dalla sabbia e asciugare tutti i componenti.
6. Conservare il filtro a sabbia in un luogo asciutto e lontano dalla portata dei bambini.

RISOLUZIONE DEI PROBLEMI

Problemi	Cause probabili	Soluzioni
Entra sabbia nella piscina	<ul style="list-style-type: none">- La sabbia è troppo sottile- Passare la valvola di controllo dalla funzione riflusso alla funzione filtro senza arrestare il filtro a sabbia- Il livello della sabbia è eccessivo- Lo skimmer è rotto	<ul style="list-style-type: none">- Si consiglia di utilizzare sabbia di silice n. 20 (0,45-0,85 mm)- Arrestare il filtro a sabbia ogni volta che si imposta la valvola di controllo- Controllare che il livello della sabbia sia compreso tra le indicazioni "MAX" e "MIN" riportate sul mozzo- Sostituire lo skimmer
Assenza di flusso d'acqua	<ul style="list-style-type: none">- Gli spinotti di arresto non sono stati rimossi- L'aria non è stata rilasciata- La valvola di controllo è in posizione di chiusura- Il filtro è bloccato- Il filtro a sabbia è rotto	<ul style="list-style-type: none">- Rimuovere gli spinotti di arresto e inserire i filtri per detriti- Rilasciare l'aria- Impostare la funzione filtro- Pulire il filtro- Rivolgersi all'assistenza
Eccessiva pressione del filtro	<ul style="list-style-type: none">- Il filtro è sporco- Il letto di sabbia si è calcificato- Il riflusso non è sufficiente- Il manometro è rotto	<ul style="list-style-type: none">- Lavare in controflusso- Esaminare la sabbia e sostituirla, se necessario- Lavare in controflusso fino a quando l'acqua di scarico esce pulita- Sostituire il manometro
La valvola di controllo perde dall'apertura D	<ul style="list-style-type: none">- La valvola di controllo è stata impostata tra le due funzioni- La guarnizione è rotta	<ul style="list-style-type: none">- Impostare una sola funzione- Sostituire la guarnizione
I connettori perdono	<ul style="list-style-type: none">- La guarnizione dei connettori è fuori posto- La guarnizione dei connettori è rotta- I manicotti sono allentati	<ul style="list-style-type: none">- Ricollocare la guarnizione nella giusta posizione- Sostituire la guarnizione- Stringere i connettori

FILTRE À SABLE MANUEL DE L'UTILISATEUR

Visitez la chaîne YouTube de Bestway 



CONSIGNES DE SÉCURITÉ

ATTENTION

IMPORTANTES CONSIGNES DE SÉCURITÉ LISEZ ET RESPECTEZ TOUTES CES INSTRUCTIONS DE SECURITE. À LIRE ATTENTIVEMENT ET À CONSERVER POUR UNE CONSULTATION ULTÉRIEURE.

Vous devez toujours respecter les précautions de sécurité de base concernant l'installation et l'utilisation de cet équipement électrique qui comprennent :

- La pompe doit être munie d'un transformateur de séparation ou d'un dispositif à courant résiduel (RCD) qui répond avec une intensité de courant ne dépassant pas 30 mA.
- La source de courant sur le mur du bâtiment doit être à plus de 4 m de la piscine.
- L'appareil doit être alimenté par une source électrique mise à la terre.
- **RISQUE D'ÉLECTROCUTION** - Il est interdit d'utiliser la pompe quand des gens se trouvent à l'intérieur de la piscine. Interdire l'accès au bassin en cas de détérioration du ou des système(s) de filtration.
- **NE PAS ENTERRER LE CORDON.** Placer le cordon de manière à minimiser les risques encourus par le passage de tondeuses, tronçonneuses et autres équipements.
- Pour réduire les risques d'électrocution, remplacer immédiatement tout cordon endommagé.
- Si le câble d'alimentation est endommagé, il doit être remplacé par le fabricant, son service après vente ou des personnes de qualification similaire afin d'éviter un danger.
- Il est impossible d'utiliser des rallonges.
- Risque d'électrocution. L'utilisation du filtre à sable avec une alimentation électrique non correspondante est dangereuse et peut endommager de manière permanente le filtre à sable.
- N'enlevez pas la broche de mise à terre et ne modifiez d'aucune manière la fiche. N'utilisez pas de fiches d'adaptation. Consultez un électricien qualifié pour toutes les questions concernant la validité de vos fiches ou de la mise à terre.

- Manipulez le filtre à sable avec soin. Ne tirez pas ou ne transportez pas le filtre à sable par son cordon d'alimentation. Ne débranchez jamais une fiche de la prise en tirant sur le cordon d'alimentation. Le cordon doit être sans abrasions. N'exposez jamais le filtre à sable à des objets pointus, de l'huile, des pièces en mouvement et de la chaleur.
- Débranchez toujours l'appareil de la prise électrique avant d'enlever, de nettoyer, de réparer toute pièce et d'effectuer tout réglage sur l'appareil.
- Ne pas brancher ou débrancher l'appareil avec les mains humides.
- Toujours débrancher l'appareil.
 - Les jours de pluie
 - Avant le nettoyage ou une autre opération de maintenance
 - Si vous partez en vacances
- Si l'appareil ne doit pas être utilisé pendant une période prolongée comme en hiver, le kit de piscine doit être démonté et stocké à l'intérieur.
- **ATTENTION** : Lire les instructions avant chaque utilisation et installation/assemblage de l'appareil.
- Conservez les instructions. Pour la reconstruction de la piscine, à tout moment, consultez également les instructions.
- Si les instructions sont manquantes, contactez Bestway ou recherchez sur le site web: www.bestwaycorp.com
- Les installations électriques doivent suivre les règles nationales de câblage. Consultez un électricien qualifié pour toutes les questions.

ATTENTION : Ce filtre à sable doit être utilisé uniquement dans des piscines démontables. Il ne doit pas être utilisé dans des piscines fixes. Une piscine démontable est conçue pour pouvoir être facilement démontée pour son stockage et remontée dans son intégrité d'origine. Une piscine fixe est construite sur ou dans le sol ou dans un bâtiment et elle ne peut pas être facilement démontée pour le stockage.

- Cet appareil peut être utilisé par des enfants à partir de 8 ans et plus et par des personnes avec des capacités physiques, sensorielles ou mentales réduites ou un manque d'expérience et de connaissances s'ils sont surveillés ou ont reçu des instructions concernant l'utilisation de l'appareil d'une manière sûre et s'ils comprennent les risques impliqués. Les enfants ne doivent pas jouer avec l'appareil. Le nettoyage et la maintenance ne doivent pas être effectués par un enfant sans surveillance. (Pour le marché européen)
- Cet appareil n'est pas conçu pour être utilisé par des personnes à capacités physiques, sensorielles ou intellectuelles réduites ou sans expérience et connaissances, s'ils sont sous surveillance ou bien s'ils ont été informés quant à l'utilisation de l'appareil par une personne responsable de leur

sécurité. Surveiller les enfants pour s'assurer qu'ils ne jouent pas avec l'appareil (pour le marché hors Union Européenne).

- Le nettoyage et la maintenance doivent être effectués par un personnel adulte de plus de 18 ans qui est consciente du risque de choc électrique.

REMARQUE :

- Placez le filtre à sable sur un sol solide et à niveau. Assurez-vous que le filtre à sable soit à au moins 2 mètres du bord de la piscine. La distance doit être la plus grande possible.
- Faites attention de placer la piscine et le filtre à sable de manière telle qu'une bonne ventilation, un bon écoulement et l'accès pour l'entretien soient disponibles. Ne placez jamais le filtre à sable dans une zone où de l'eau pourrait s'accumuler ou bien sur un sentier où beaucoup de personnes passent.
- La prise doit être accessible une fois la piscine installée. La prise du filtre à sable devra être à au moins 3,5 mètres de la piscine.
- Les conditions atmosphériques peuvent affecter les performances et la durée de vie du filtre à sable ; prenez les précautions appropriées pour protéger le filtre à sable contre une usure non nécessaire qui pourrait se produire pendant des périodes de temps chaud ou froid et/ou après l'exposition au soleil.
- Contrôlez et vérifiez SVP que tous les composants du filtre à sable sont présents avant l'utilisation. Informez Bestway à l'adresse du service clientèle répertoriée dans ce manuel en cas de dommage ou de pièces manquantes au moment de l'achat.
- Il est impératif de changer dans les délais les plus brefs tout élément ou ensemble d'éléments détériorés. N'utiliser que des pièces agréées par le responsable de la mise sur le marché.
- Ne permettez pas à des enfants ou à des adultes de s'appuyer ou de s'asseoir sur l'appareil.
- N'ajoutez pas de produits chimiques dans le filtre à sable.
- Lorsque des produits chimiques ont été utilisés pour traiter l'eau du bassin, il est recommandé de respecter un temps minimum de filtration pour préserver la santé des baigneurs qui dépend du respect des règles sanitaires.
- Seuls les agents fournis ou spécifiés par le fabricant doivent être utilisés avec l'installation du produit.
- Il est essentiel de contrôler que les ouvertures d'aspiration ne sont pas obstruées.
- Il est conseillé d'interrompre la filtration durant les opérations d'entretien sur le système de filtration.
- Supervisez régulièrement le niveau d'obstruction du filtre.

- Il est recommandé de contrôler une fois par semaine le lavage à contre-courant ou le nettoyage. Le temps de fonctionnement minimal de la filtration quotidienne de 8 heures est recommandé pour garantir une eau de piscine limpide.
- Il est essentiel de modifier tout élément ou groupe d'éléments endommagé dès que possible. N'utilisez que des pièces agréées par la personne responsable de la mise sur le marché du produit.
- Tous les filtres et les agents de filtration doivent être inspectés régulièrement pour garantir que les débris ne s'accumulent pas car cela empêcherait une bonne filtration. L'élimination de tout agent de filtration utilisé doit être effectuée conformément aux règlements/lois applicables.
- Respectez toutes les recommandations et consignes de sécurité figurant dans la notice. En cas de doute sur la pompe ou tout dispositif de circulation, veuillez contacter un installateur qualifié ou bien le fabricant/l'importateur/le distributeur. L'installation de la circulation de l'eau doit être conforme aux directives européennes ainsi qu'aux règlements nationaux/locaux, en particulier en ce qui concerne les problèmes électriques. Tout changement de position d'une vanne, taille de pompe, taille de grille peut provoquer un changement de débit et la vitesse d'aspiration peut donc augmenter.
- Ce produit n'est pas destiné pour utilisation commerciale.

Veuillez lire attentivement la notice d'instructions et conservez-la pour pouvoir la consulter en cas de besoin.

CONSERVEZ CES INSTRUCTIONS

MISE AU REBUT



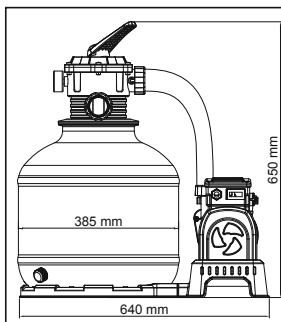
Signification du symbole d'un caisson d'ordures barré :

■ Ne pas éliminer les appareils électriques comme un déchet habituel, utiliser les systèmes de collecte séparés. Contactez votre collectivité locale pour les informations concernant les systèmes de collecte disponibles.

Si les appareils électriques sont éliminés dans une décharge publique, des substances dangereuses peuvent s'écouler dans la nappe phréatique et entrer dans la chaîne alimentaire et porter atteinte à votre santé et à votre bien-être.

Quand vous remplacez un ancien appareil par un nouveau, le détaillant a l'obligation légale de reprendre votre ancien appareil pour son élimination sans aucune dépense de votre part.

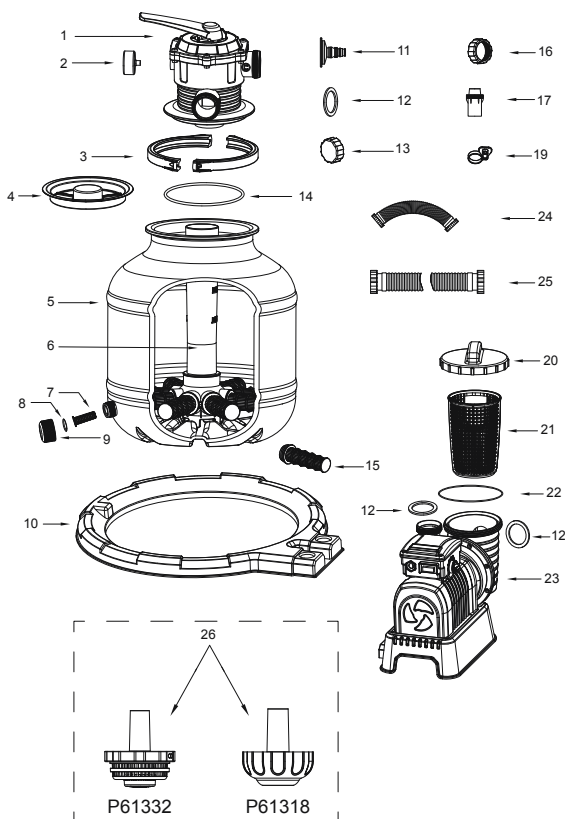
SPÉCIFICATIONS



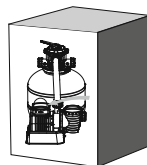
Diamètre du filtre :	385 mm
Surface réelle de filtration :	0.11 m ² (1.18 ft ²)
Pression maximale de fonctionnement :	1.59 Bar (23 PSI)
Pression de fonctionnement du filtre à sable :	<0.55 Bar (8 PSI)
Température maximale de l'eau :	35°C
Sable :	Non compris
Dimensions du sable :	#20 sable siliceux, 0.45-0.85 mm
Capacité de sable :	Approximativement 36 kg

VUE D'ENSEMBLE DES PIÈCES

Avant de monter le filtre à sable, prenez quelques minutes pour vous familiariser avec toutes ses pièces.



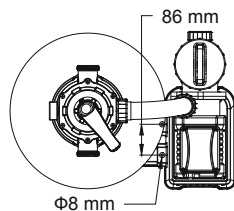
A



RÉF.N°	PIÈCE DE RECHANGE N°.	A
1	P03831	1
2	P61138ASS16	1
3	P03832	2
4	P61209ASS16	1
5	P03843	1
6	P03844	1
7	P61211ASS16	1
8	P6581ASS16	1
9	P6580ASS16	1
10	P03845	1
11	P6614ASS16	1
12	P6029ASS16	5
13	P03830	1
14	P61214ASS16	1
15	P61210ASS16	8
16	P03829	1
17	P6916ASS16	2
19	P6124ASS16	2
20	P6561ASS16	1
21	P6562ASS16	1
22	P6563ASS16	1
23	P03814(EU)/P03816(GB)	1
24	P03849	1
25	P6518ASS16	2
26	P61322ASS16	1
	P61318ASS16	1

Montage (Vous aurez besoin d'un tournevis.)

1. Enlevez tous les composants de l'emballage et contrôlez que rien ne soit endommagé. Si l'appareil est endommagé, avertissez immédiatement le revendeur chez lequel vous avez acheté l'appareil.
2. Le filtre à sable doit être placé sur un sol solide et à niveau, de préférence une dalle en béton. Placez le filtre à sable pour que les orifices et la soupape de réglage soient accessibles pour le fonctionnement, l'entretien et l'hivernage.
3. Le standard TEST EN60335-2-41 demande que le filtre à sable soit fixé en verticale sur le sol ou sur un support en bois ou en béton avant de l'utiliser, afin d'éviter qu'il ne tombe accidentellement. Le filtre à sable complètement monté dépasse les 18 kg. Les trous de montage doivent avoir 8 mm de diamètre et être espacés de 86 mm. Utilisez deux écrous avec un diamètre maximal de 8 mm pour fixer le filtre à sable sur le support.



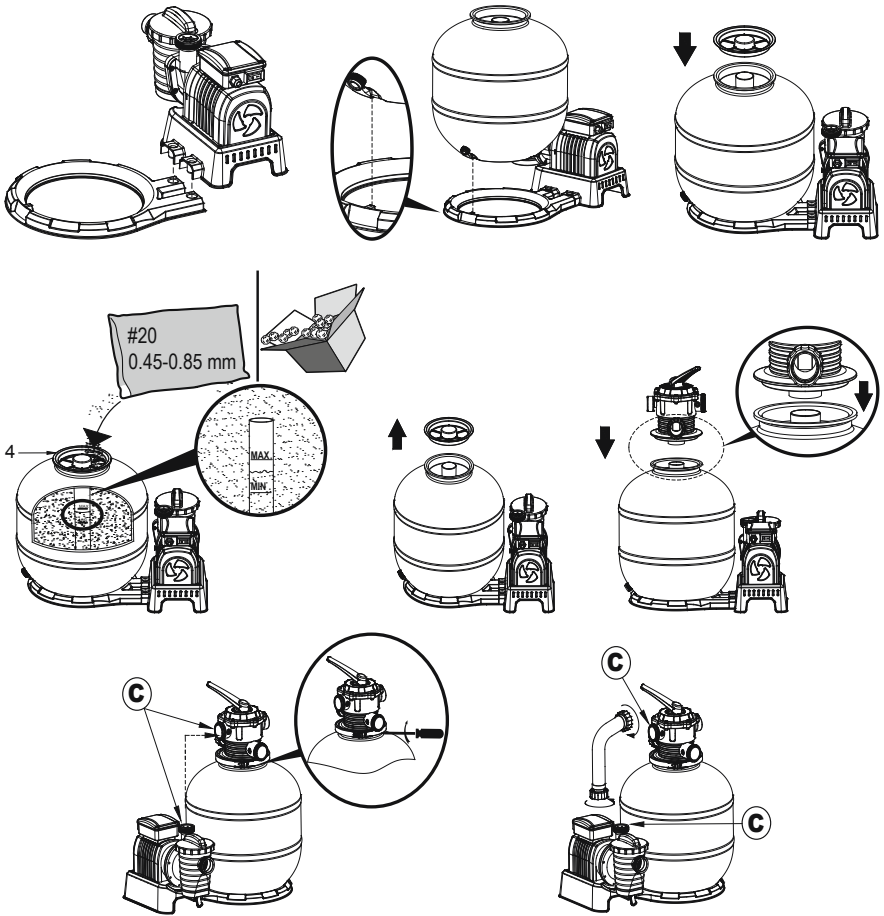
Remplissez de sable de filtration de qualité pour piscine/polysphères Flowclear™.

REMARQUE : Utilisez uniquement du sable pour filtre de piscine, sans calcaire ou argile : #20 sable siliceux 0,45-0,85 mm, un sachet de 36 kg environ devrait suffire. Si vous n'utilisez pas la taille recommandée de sable de filtration, les performances de filtration seront réduites et le filtre à sable peut être endommagé, annulant ainsi la garantie.

REMARQUE : Pour éviter d'endommager le dépollueur quand on ajoute le sable, versez un peu d'eau dans le réservoir pour immerger le dépollueur dans le collet de raccord.

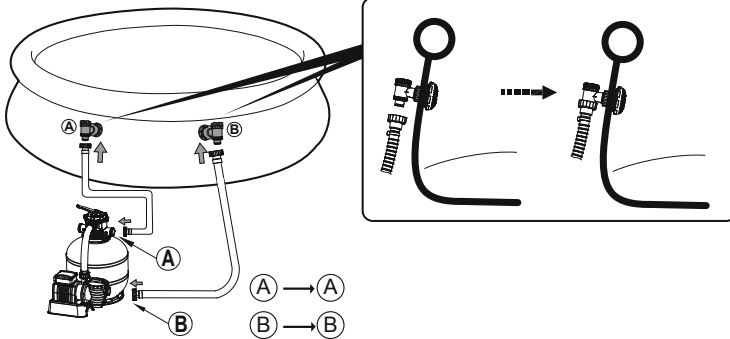
REMARQUE : le sable/les polysphères Flowclear™ ne sont pas inclus.

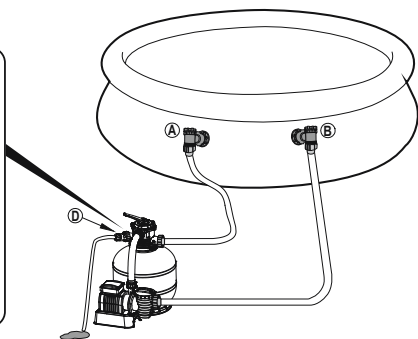
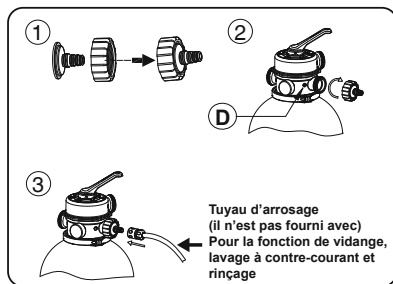
REMARQUE : utilisez 28 g (0,06 lbs) de polysphères Flowclear™ pour remplacer 1 kg (2,20 lbs) de sable.



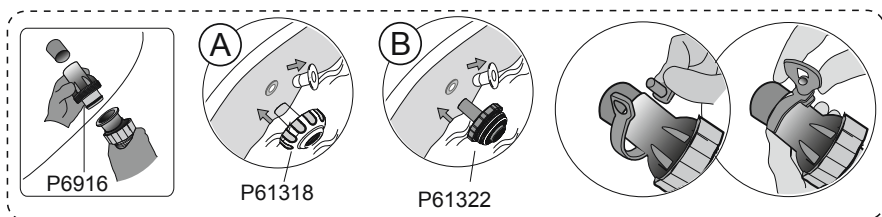
Raccordez à la piscine

1



2

Pour piscine avec vanne de 32 mm (1,25 po).


STOP

Avant d'allumer, veuillez lire attentivement la notice.

FONCTIONNEMENT

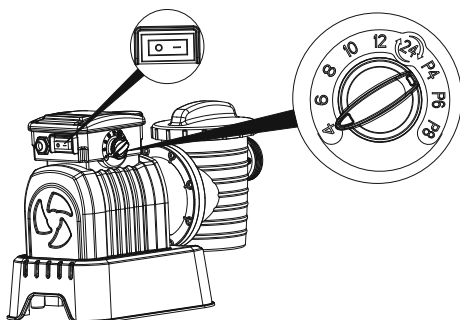
Minuterie

1. Branchez sur la source de courant, réglez l'interrupteur sur la position "ON" (-). Le filtre à sable commence à fonctionner immédiatement.
2. Réglez l'interrupteur sur la position "OFF" (0). Le filtre à sable cesse de fonctionner immédiatement.
3. Après l'avoir allumé, vous pouvez régler la durée de fonctionnement, le temps de repos et la durée du cycle en tournant le bouton sur la position souhaitée. Consultez le tableau ci-dessous pour de plus amples détails.
4. Quand le bouton de la minuterie bascule sur une nouvelle position, le cycle précédent du filtre s'efface

automatiquement afin que le nouveau cycle puisse commencer.

5. Chaque fois qu'on allume ou redémarre le filtre, un nouveau cycle basé sur la position du bouton commence.

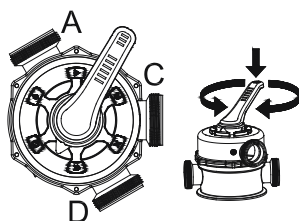
REMARQUE : si le bouton est réglé sur la position 24 heures (24), le filtre à sable fonctionnera continuellement sans aucune période de repos.



Position du bouton	Durée de fonctionnement (H)	Temps de repos (H)	Durée du cycle (H)
4	4	20	24
6	6	18	24
8	8	16	24
10	10	14	24
12	12	12	24
24	24	0	24
P4	4	4	8
P6	6	6	12
P8	8	8	16

VUE D'ENSEMBLE DE LA SOUPAPE DE RÉGLAGE

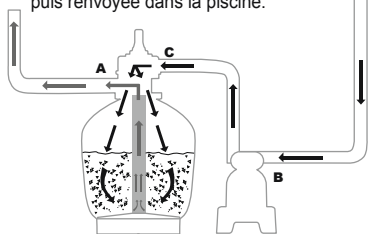
ATTENTION : Pour éviter des dommages à l'appareil et de possibles blessures, débranchez chaque fois la pompe du filtre à sable avant de changer la fonction de la soupape de réglage. Le changement de position de la soupape quand la pompe est en marche peut endommager la soupape de réglage, ce qui peut provoquer des blessures ou des dommages à l'appareil.



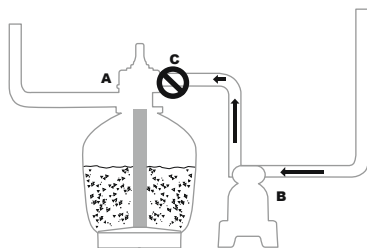
Comment utiliser la soupape de réglage

Appuyez sur la poignée de la soupape de réglage et tournez-la sur la fonction souhaitée.

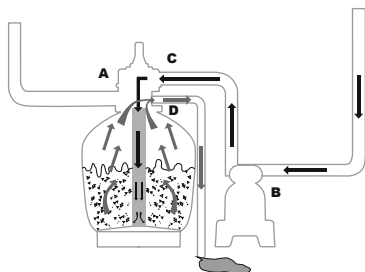
▶ **Filtration :** Cette fonction est utilisée pour filtrer l'eau de la piscine et la soupape est sur ce réglage 99% des fois. L'eau est pompée à travers le filtre à sable où elle est nettoyée et puis renvoyée dans la piscine.



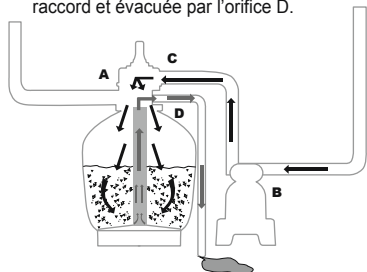
✕ **Fermeture :** Cette fonction arrête le passage de l'eau entre le filtre à sable et la piscine.



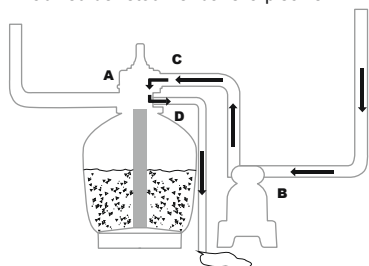
◀◀ **Lavage à contre-courant :** Cette fonction est utilisée pour nettoyer la couche de sable ; l'eau est aspirée à travers le collet de raccord, pompée à travers la couche de sable et évacuée par l'orifice D.



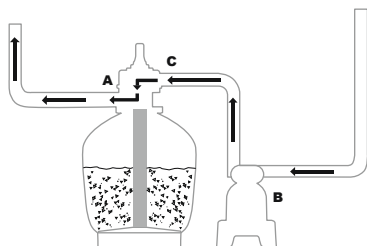
💧 **Rinçage :** Cette fonction est utilisée pour la mise en marche initiale, le nettoyage et la mise à niveau de la couche de sable après le lavage à contre-courant ; l'eau est aspirée à travers la couche de sable, pompée à travers le collet de raccord et évacuée par l'orifice D.



☹ **Drainage :** Cette fonction draine l'eau provenant de la piscine ; c'est un autre réglage de by-pass du filtre, l'eau est pompée et déposée en dehors de l'orifice D, au lieu de retourner dans la piscine.



↻ **Circulation :** Cette fonction fait circuler l'eau de la piscine en by-passant le filtre à sable ; utilisez cette fonction si le filtre est cassé pour recueillir les débris dans la grille de protection.



REMARQUE :

- Contrôlez que toutes les dispositions d'évacuation des eaux usées suivent les réglementations locales ou nationales. N'éliminez pas l'eau là où elle pourrait provoquer une inondation ou des dégâts.
- Quand la soupape de réglage est réglée sur la position Lavage à contre-courant, Rinçage ou Drainage, l'eau est évacuée par l'orifice D de la soupape de réglage.

- Ne branchez pas ou ne faites pas fonctionner le filtre à sable avec la soupape de réglage en position Fermeture car cela pourrait endommager le filtre à sable.
- Ne réglez pas la soupape de réglage entre deux fonctions car elle commencera à fuir.
- Pour éviter les fuites d'eau, vissez le capuchon de l'orifice D sur l'orifice D de la vanne de commande avant de faire fonctionner le filtre ou d'utiliser la fonction de circulation.

Évacuation de l'air

Appuyez sur la poignée de la vanne de commande et attendez que l'eau s'écoule par l'orifice D pour évacuer l'air.

REMARQUE : il est fondamental de répéter cette opération à chaque fois que vous démarrez la pompe après l'hivernage, l'entretien et le lavage à contre-courant du lit de sable.

INSTRUCTIONS POUR LA PREMIÈRE UTILISATION

Il faut effectuer le lavage à contre-courant et le rinçage pour préparer la pompe à sa première utilisation et pour laver le sable.

ATTENTION : NE FAITES PAS FONCTIONNER LE FILTRE À SABLE À SEC



1. Appuyez sur la poignée de la vanne de commande et tournez-la jusqu'à la fonction de lavage à contre-courant.
2. Branchez et faites fonctionner le filtre à sable pendant 3 à 5 minutes ou jusqu'à ce que l'eau soit claire.
3. Éteignez le filtre à sable et réglez la vanne de commande sur la fonction de rinçage.
4. Allumez le filtre à sable et faites-le fonctionner pendant 1 min. Cela fait repasser l'eau à travers le filtre à sable et vidange l'eau par l'orifice D.
5. Éteignez le filtre à sable. Réglez la vanne de commande sur la fonction Fermé.
6. Ajoutez de l'eau dans la piscine si cela s'avère nécessaire.

IMPORTANT : cette procédure enlève l'eau de la piscine, il faut donc que vous la remplaciez. Éteignez le filtre à sable immédiatement si le niveau de l'eau descend près des vannes d'entrée et de sortie de la piscine.

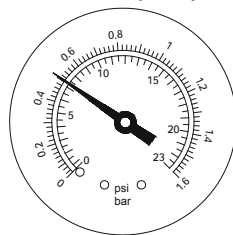
1. Le filtre à sable est prêt pour l'utilisation. Réglez la soupape de réglage sur la fonction Filtration.

REMARQUE : Pour éviter les risques d'électrocution, séchez l'eau sur vous-même et sur le filtre à sable.

IMPORTANT : Avant l'utilisation, assurez-vous que le réservoir est placé debout sur sa base et qu'il est branché correctement sur la pompe.

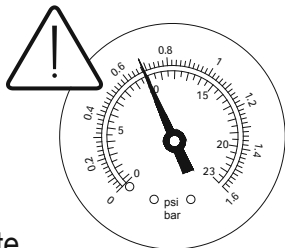
2. Allumez le filtre à sable pour le faire fonctionner.

REMARQUE : Le filtre à sable commence son cycle de filtration. Contrôlez que l'eau retourne dans la piscine et prenez note de la pression sur le manomètre. Généralement, la pression recommandée du filtre à sable est inférieure à 0.56 Bar (8.0 PSI) pendant le fonctionnement.



Entretien du filtre à sable

ATTENTION : vous devez vérifier que le filtre à sable est coupé et débranché avant de commencer l'entretien car il existe un risque de blessure grave voire mortelle. Au fur et à mesure que la saleté s'accumule à l'intérieur du filtre à sable, la pression augmente sur le manomètre. Quand le manomètre indique 0,62 Bar (9,0 PSI) ou plus, ou que le débit d'eau s'écoulant dans la piscine est trop faible, il est temps de nettoyer le sable. Pour nettoyer le lit de sable, suivez toutes les instructions indiquées précédemment dans le chapitre: **Contre-courant et Rinçage.**



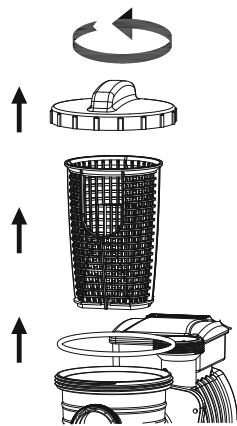
REMARQUE :

1. Le manomètre n'est prévu que pour la maintenance et la valeur du manomètre sert uniquement de référence, il ne faut pas l'utiliser comme instrument de précision.
2. Nous vous conseillons de nettoyer le lit de sable une fois par mois ou moins souvent en fonction de la fréquence d'utilisation de la piscine. Ne nettoyez pas trop souvent le sable.

Nettoyage du tamis

1. Débranchez le filtre à sable et réglez la soupape de réglage sur la fonction Fermée.
2. Remplacez les grilles par des bouchons d'obturation pour éviter que l'eau s'échappe.
3. Enlevez le couvercle du tamis en le dévissant.
4. Retirez le tamis et éliminez tous les déchets.
5. Remettez le tamis en place. Assurez-vous que le tamis soit aligné.
6. Assurez-vous que la bague d'étanchéité soit en place. Vissez le couvercle du tamis.
7. Enlevez les bouchons d'obturation et insérez les grilles.

REMARQUE : Le tamis doit être vidé et nettoyé périodiquement. Un tamis sale ou obstrué réduit les performances du filtre à sable.



Diminution ou vidange de l'eau de la piscine

1. Éteignez le filtre à sable et réglez la vanne de commande sur la fonction de vidange.
2. Détachez le tuyau de l'orifice A de la piscine et de l'orifice A du filtre à sable et fixez-le à l'orifice D.
3. Allumez le filtre à sable pour faire fonctionner le filtre et évacuer l'eau de la piscine.

ATTENTION : NE FAITES PAS FONCTIONNER LE FILTRE À SABLE À SEC. Remisage et rangement de longue durée

Dans les régions où les températures hivernales sont glaciales, il faut ranger l'équipement de piscine pendant l'hiver pour éviter de l'endommager.

Si vous laissez l'eau geler cela endommagera le filtre à sable et rendra la garantie caduque.

1. Lavez à contre-courant le filtre à sable.
2. Videz la piscine en suivant le manuel de la piscine.
3. Dévissez le capuchon de la vanne de vidange en bas du réservoir et laissez sortir l'eau restante.
4. Débranchez les deux tuyaux de la piscine et du filtre à sable.
5. Retirez complètement le sable du réservoir et séchez tous les composants.
6. Conservez le filtre à sable dans un emplacement sec et hors de portée des enfants.

DÉPANNAGE		
Problèmes	Éventuelles causes	Solutions
Le sable s'écoule dans la piscine	<ul style="list-style-type: none"> - Le sable est trop petit - Déplacez la vanne de commande de la fonction contre-courant à celle de filtration sans arrêter le filtre à sable - Le niveau du sable est trop élevé - Le skimmer était cassé 	<ul style="list-style-type: none"> - Sable de silice n° 20 de 0,45 à 0,85 mm recommandé - Arrêtez le filtre à sable chaque fois que vous réglez la vanne de commande - Vérifiez si le niveau du sable se trouve entre les indications "MAX" et "MIN" sur l'emboîtement - Remplacez le skimmer
L'eau ne s'écoule pas	<ul style="list-style-type: none"> - Les bouchons d'obturation n'ont pas été enlevés - L'air n'a pas été libéré - La vanne de commande a été réglée sur Fermée - La crépine était bloquée - Le filtre à sable est cassé 	<ul style="list-style-type: none"> - Enlevez les bouchons d'obturation et insérez les grilles - Libérez l'air - Réglez sur la fonction de filtration - Nettoyez la crépine - Appelez le service d'assistance
Pression excessive du filtre	<ul style="list-style-type: none"> - Filtre sale - Lit de sable calcifié - Contre-courant insuffisant - Le manomètre était cassé 	<ul style="list-style-type: none"> - Contre-courant - Inspectez le sable et changez-le si cela s'avère nécessaire - Contre-courant jusqu'à ce que l'effluent soit propre - Remplacez le manomètre
La vanne de commande fuit au niveau de l'orifice D	<ul style="list-style-type: none"> - La vanne de commande a été réglée entre deux fonctions - Le joint était cassé 	<ul style="list-style-type: none"> - Réglez sur une fonction - Remplacez le joint
Fuites au niveau des raccords	<ul style="list-style-type: none"> - La rondelle des raccords n'est pas à sa place - La rondelle des raccords est cassée - Tuyaux desserrés 	<ul style="list-style-type: none"> - Repositionnez la rondelle - Remplacez la rondelle - Serrez-les



ENSEMBLE
RÉDUISONS L'IMPACT
ENVIRONNEMENTAL
DES EMBALLAGES


ÉLÉMENTS
PLASTIQUES
À JETER

ÉLÉMENTS
PAPIER – CARTON
À RECYCLER



ΦΙΛΤΡΟ ΑΜΜΟΥ

ΕΓΧΕΙΡΙΔΙΟ ΙΔΙΟΚΤΗΤΗ

ΕΠΙΣΚΕΦΤΕΙΤΕ ΤΟ ΚΑΝΑΛΙ ΤΗΣ Bestway ΣΤΟ YouTube 

ΟΔΗΓΙΕΣ ΑΣΦΑΛΕΙΣ

ΠΡΟΕΙΔΟΠΟΙΗΣΗ

ΣΗΜΑΝΤΙΚΕΣ ΟΔΗΓΙΕΣ ΑΣΦΑΛΕΙΑΣ ΔΙΑΒΑΣΤΕ ΚΑΙ ΤΗΡΗΣΤΕ ΟΛΕΣ ΤΙΣ ΟΔΗΓΙΕΣ ΑΣΦΑΛΕΙΑΣ.

- ΚΑΤΑ ΤΗΝ ΕΓΚΑΤΑΣΤΑΣΗ ΚΑΙ ΧΡΗΣΗ ΑΥΤΟΥ ΤΟΥ ΗΛΕΚΤΡΙΚΟΥ ΕΞΟΠΛΙΣΜΟΥ ΘΑ ΠΡΕΠΕΙ ΠΑΝΤΑ ΝΑ ΤΗΡΟΥΝΤΑΙ ΒΑΣΙΚΕΣ ΠΡΟΦΥΛΑΞΕΙΣ, ΣΥΜΠΕΡΙΛΑΜΒΑΝΟΜΕΝΩΝ ΤΩΝ ΑΚΟΛΟΥΘΩΝ:
- Η ΑΝΤΛΙΑ ΠΡΕΠΕΙ ΝΑ ΤΡΟΦΟΔΟΤΕΙΤΑΙ ΑΠΟ ΕΝΑ ΜΕΤΑΣΧΗΜΑΤΙΣΤΗ ΑΠΟΜΟΝΩΣΗΣ Η ΝΑ ΤΡΟΦΟΔΟΤΕΙΤΑΙ ΜΕΣΩ ΕΝΟΣ ΑΥΤΟΜΑΤΟΥ ΔΙΑΚΟΠΤΗ ΔΙΑΡΡΟΗΣ (RCD) ΜΕ ΟΝΟΜΑΣΤΙΚΟ ΡΕΥΜΑ ΔΙΑΡΡΟΗΣ ΠΟΥ ΔΕΝ ΥΠΕΡΒΑΙΝΕΙ ΤΑ 30 ma.
 - Η ΠΗΓΗ ΠΑΡΟΧΗΣ ΡΕΥΜΑΤΟΣ ΣΤΟΝ ΤΟΙΧΟ ΤΟΥ ΚΤΙΡΙΟΥ ΘΑ ΠΡΕΠΕΙ ΝΑ ΒΡΙΣΚΕΤΑΙ ΣΕ ΑΠΟΣΤΑΣΗ ΜΕΓΑΛΥΤΕΡΗ ΤΩΝ 4 ΜΕΤΡΩΝ ΑΠΟ ΤΗΝ ΠΙΣΙΝΑ.
 - Η ΣΥΣΚΕΥΗ ΠΡΕΠΕΙ ΝΑ ΤΡΟΦΟΔΟΤΕΙΤΑΙ ΑΠΟ ΜΙΑ ΓΕΙΩΜΕΝΗ ΠΗΓΗ ΤΡΟΦΟΔΟΣΙΑΣ
 - **ΠΡΟΣΟΧΗ - ΚΙΝΔΥΝΟΣ ΗΛΕΚΤΡΟΠΛΗΞΙΑΣ** - Η ΑΝΤΛΙΑ ΔΕΝ ΜΠΟΡΕΙ ΝΑ ΧΡΗΣΙΜΟΠΟΙΗΘΕΙ, ΕΝΩ ΥΠΑΡΧΟΥΝ ΑΝΘΡΩΠΟΙ ΜΕΣΑ ΣΤΗΝ ΠΙΣΙΝΑ. ΜΗΝ ΕΠΙΤΡΕΠΕΤΕ ΠΡΟΣΒΑΣΗ ΣΤΗΝ ΠΙΣΙΝΑ ΣΕ ΠΕΡΙΠΤΩΣΗ ΒΛΑΒΗΣ ΤΟΥ ΦΙΛΤΡΟΥ ΑΜΜΟΥ.
 - **ΜΗΝ ΚΡΥΒΕΤΕ ΤΟ ΚΑΛΩΔΙΟ.** ΤΟΠΟΘΕΤΗΣΤΕ ΤΟ ΚΑΛΩΔΙΟ ΕΤΣΙ ΠΟΥ ΝΑ ΕΛΑΧΙΣΤΟΠΟΙΕΙΤΑΙ ΤΥΧΟΝ ΒΛΑΒΗ ΑΠΟ ΜΗΧΑΝΗ ΚΟΥΡΕΜΑΤΟΣ ΓΚΑΖΟΝ, ΠΕΡΙΚΟΠΗ ΦΡΑΧΤΗ ΚΑΙ ΑΛΛΟ ΕΞΟΠΛΙΣΜΟ.
 - ΓΙΑ ΤΗΝ ΜΕΙΩΣΗ ΤΟΥ ΚΙΝΔΥΝΟΥ ΗΛΕΚΤΡΟΠΛΗΞΙΑΣ, ΑΝΤΙΚΑΤΑΣΤΗΣΤΕ ΑΜΕΣΩΣ ΤΟ ΚΑΛΩΔΙΟ ΑΝ ΥΠΟΣΤΕΙ ΖΗΜΙΑ.
 - ΕΑΝ ΕΧΕΙ ΒΛΑΒΗ ΤΟ ΚΑΛΩΔΙΟ ΡΕΥΜΑΤΟΔΟΤΗΣΗΣ, Ο ΚΑΤΑΣΚΕΥΑΣΤΗΣ Η Ο ΑΝΤΙΠΡΟΣΩΠΟΣ Η ΕΝΑ ΟΜΟΙΩΣ ΕΜΠΕΙΡΟ ΑΤΟΜΟ ΘΑ ΠΡΕΠΕΙ ΝΑ ΑΝΤΙΚΑΤΑΣΤΗΣΕΙ ΤΟ ΚΑΛΩΔΙΟ ΓΙΑ ΤΗΝ ΑΠΟΦΥΓΗ ΚΙΝΔΥΝΩΝ.
 - ΔΕΝ ΕΠΙΤΡΕΠΕΤΑΙ Η ΧΡΗΣΗ ΚΑΛΩΔΙΩΝ ΕΠΕΚΤΑΣΗΣ.
 - ΚΙΝΔΥΝΟΣ ΗΛΕΚΤΡΟΠΛΗΞΙΑΣ Η ΧΡΗΣΗ ΤΟΥ ΦΙΛΤΡΟΥ ΑΜΜΟΥ ΜΕ ΜΗ ΑΝΤΙΣΤΟΙΧΗ ΤΡΟΦΟΔΟΣΙΑ ΡΕΥΜΑΤΟΣ ΕΙΝΑΙ ΕΠΙΚΙΝΔΥΝΗ ΚΑΙ ΘΑ ΠΡΟΚΑΛΕΣΕΙ ΜΟΝΙΜΗ ΒΛΑΒΗ ΣΤΟ ΦΙΛΤΡΟ ΑΜΜΟΥ.
 - ΜΗΝ ΑΦΑΙΡΕΙΤΕ ΤΗ ΓΕΙΩΣΗ Η ΤΡΟΠΟΠΟΙΕΙΤΕ ΤΟ ΒΥΣΜΑ ΚΑΤΑ ΟΠΟΙΟΝΔΗΠΟΤΕ ΤΡΟΠΟ. ΜΗΝ ΧΡΗΣΙΜΟΠΟΙΕΙΤΕ ΒΥΣΜΑΤΑ ΠΡΟΣΑΡΜΟΓΕΑ. ΣΥΜΒΟΥΛΕΥΤΕΙΤΕ ΕΝΑΝ ΕΜΠΕΙΡΟ ΗΛΕΚΤΡΟΛΟΓΟ ΓΙΑ ΟΠΟΙΑΔΗΠΟΤΕ ΕΡΩΤΗΣΗ ΣΧΕΤΙΚΑ ΜΕ ΤΗΝ ΕΓΚΥΡΟΤΗΤΑ ΤΩΝ ΒΥΣΜΑΤΩΝ Ω ΤΗΣ ΓΕΙΩΣΗΣ ΣΑΣ.
 - ΧΕΙΡΙΣΤΕΙΤΕ ΤΟ ΦΙΛΤΡΟ ΑΜΜΟΥ ΜΕ ΠΡΟΣΟΧΗ. ΜΗΝ ΤΡΑΒΑΤΕ Η ΜΕΤΑΦΕΡΕΤΕ ΤΟ ΦΙΛΤΡΟ ΑΜΜΟΥ ΑΠΟ ΤΟ ΚΑΛΩΔΙΟ ΤΟΥ ΡΕΥΜΑΤΟΣ. ΜΗΝ ΤΡΑΒΑΤΕ ΠΟΤΕ ΕΝΑ ΒΥΣΜΑ ΑΠΟ ΤΗΝ



ΠΡΙΖΑ ΚΡΑΤΩΝΤΑΣ ΤΟ ΚΑΛΩΔΙΟ ΤΟΥ ΡΕΥΜΑΤΟΣ. ΑΠΟΦΥΓΕΤΕ ΤΙΣ ΑΜΥΧΕΣ ΣΤΟ ΚΑΛΩΔΙΟ. ΤΟ ΦΙΛΤΡΟ ΑΜΜΟΥ ΔΕΝ ΠΡΕΠΕΙ ΠΟΤΕ ΝΑ ΕΚΤΙΘΕΤΑΙ ΣΕ ΑΙΧΜΗΡΑ ΑΝΤΙΚΕΙΜΕΝΑ, ΛΑΔΙ, ΚΙΝΗΤΑ ΜΕΡΗ ΚΑΙ ΘΕΡΜΑΝΣΗ.

- ΑΠΟΣΥΝΔΕΕΤΕ ΠΑΝΤΟΤΕ ΑΥΤΟ ΤΟ ΠΡΟΪΟΝ ΑΠΟ ΤΗΝ ΗΛΕΚΤΡΙΚΗ ΠΡΙΖΑ ΠΡΙΝ ΑΠΟ ΤΗΝ ΑΦΑΙΡΕΣΗ, ΤΟΝ ΚΑΘΑΡΙΣΜΟ, ΤΗ ΣΥΝΤΗΡΗΣΗ Η ΟΡΟΙΑΔΗΡΟΤΕ ΡΥΘΜΙΣΗ ΩΤΟΥ ΠΡΟΪΟΝΤΟΣ.
- ΜΗ ΣΥΝΔΕΕΤΕ Ή ΑΠΟΣΥΝΔΕΑΤΕ ΤΗ ΣΥΣΚΕΥΗ ΜΕ ΒΡΕΓΜΕΝΑ ΧΕΡΙΑ
- ΠΑΝΤΟΤΕ ΑΠΟΣΥΝΔΕΕΤΕ ΤΗ ΣΥΣΚΕΥΗ:
 - ΣΕ ΒΡΟΧΕΡΕΣ ΗΜΕΡΕΣ
 - ΠΡΙΝ ΤΟΝ ΚΑΘΑΡΙΣΜΟ Ή ΑΠΟ ΆΛΛΗ ΣΥΝΤΗΡΗΣΗ
 - ΕΑΝ ΤΗΝ ΑΦΗΣΤΕ ΧΩΡΙΣ ΕΠΙΒΛΕΨΗ ΚΑΤΑ ΤΗ ΔΙΑΡΚΕΙΑ ΤΩΝ ΔΙΑΚΟΠΩΝ
- ΟΤΑΝ Η ΣΥΣΚΕΥΗ ΔΕΝ ΠΡΟΚΕΙΤΑΙ ΝΑ ΧΡΗΣΙΜΟΠΟΙΗΘΕΙ ΓΙΑ ΜΕΓΑΛΟ ΧΡΟΝΙΚΟ ΔΙΑΣΤΗΜΑ, ΟΠΩΣ ΤΟΝ ΧΕΙΜΩΝΑ, ΤΟ ΣΕΤ ΠΙΣΙΝΑΣ ΘΑ ΠΡΕΠΕΙ ΝΑ ΑΠΟΣΥΝΑΡΜΟΛΟΓΗΘΕΙ ΚΑΙ ΝΑ ΑΠΟΘΗΚΕΥΤΕΙ ΣΕ ΕΣΩΤΕΡΙΚΟ ΧΩΡΟ.
- **ΠΡΟΣΟΧΗ:** ΔΙΑΒΑΣΤΕ ΤΙΣ ΟΔΗΓΙΕΣ ΠΡΙΝ ΧΡΗΣΙΜΟΠΟΙΗΣΕΤΕ ΤΗ ΣΥΣΚΕΥΗ ΚΑΙ ΚΑΘΕ ΦΟΡΑ ΠΡΙΝ ΤΗΝ ΕΓΚΑΤΑΣΤΑΣΗ / ΕΠΑΝΑΣΥΝΑΡΜΟΛΟΓΗΣΗ.
- ΑΣΦΑΛΗΣ ΦΥΛΑΞΗ ΤΩΝ ΟΔΗΓΙΩΝ. ΓΙΑ ΤΗΝ ΑΝΑΚΑΤΑΣΚΕΥΗ ΤΟΥ ΣΕΤ ΤΗΣ ΠΙΣΙΝΑΣ ΚΑΘΕ ΦΟΡΑ, ΠΑΡΑΚΑΛΟΥΜΕ ΝΑ ΑΝΑΤΡΕΧΕΤΕ ΠΑΝΤΟΤΕ ΣΤΙΣ ΟΔΗΓΙΕΣ.
- ΕΑΝ ΧΑΣΕΤΕ ΤΙΣ ΟΔΗΓΙΕΣ, ΠΑΡΑΚΑΛΟΥΜΕ ΕΠΙΚΟΙΝΩΝΗΣΤΕ ΜΕ ΤΗΝ BESTWAY Ή ΑΝΑΖΗΤΗΣΤΕ ΤΙΣ ΣΤΗΝ ΙΣΤΟΣΕΛΙΔΑ: WWW.BESTWAYCORP.COM
- ΟΙ ΗΛΕΚΤΡΙΚΕΣ ΕΓΚΑΤΑΣΤΑΣΕΙΣ ΘΑ ΠΡΕΠΕΙ ΝΑ ΑΚΟΛΟΥΘΟΥΝ ΤΟΥΣ ΚΑΝΟΝΙΣΜΟΥΣ ΚΑΛΩΔΙΩΣΗΣ. ΣΥΜΒΟΥΛΕΥΤΕΙΤΕ ΕΝΑΝ ΕΜΠΕΙΡΟ ΗΛΕΚΤΡΟΛΟΓΟ ΓΙΑ ΟΠΟΙΕΣΔΗΠΟΤΕ ΕΡΩΤΗΣΕΙΣ.

ΠΡΟΣΟΧΗ: ΑΥΤΟ ΤΟ ΦΙΛΤΡΟ ΑΜΜΟΥ ΠΡΕΠΕΙ ΝΑ ΧΡΗΣΙΜΟΠΟΙΕΙΤΑΙ ΜΟΝΟ ΜΕ ΑΠΟΘΗΚΕΥΣΙΜΕΣ ΠΙΣΙΝΕΣ. ΜΗΝ ΧΡΗΣΙΜΟΠΟΙΕΙΤΕ ΜΕ ΜΟΝΙΜΑ ΕΓΚΑΤΕΣΤΗΜΕΝΕΣ ΠΙΣΙΝΕΣ. ΜΙΑ ΑΠΟΘΗΚΕΥΣΙΜΗ ΠΙΣΙΝΑ ΕΙΝΑΙ ΚΑΤΑΣΚΕΥΑΣΜΕΝΗ ΕΤΣΙ ΠΟΥ ΝΑ ΜΠΟΡΕΙ ΕΥΚΟΛΑ ΝΑ ΑΠΟΣΥΝΑΡΜΟΛΟΓΗΘΕΙ ΓΙΑ ΑΠΟΘΗΚΕΥΣΗ ΚΑΙ ΝΑ ΕΠΑΝΑΣΥΝΑΡΜΟΛΟΓΗΘΕΙ ΣΤΗΝ ΑΡΧΙΚΗ ΤΗΣ ΚΑΤΑΣΤΑΣΗ. ΜΙΑ ΜΟΝΙΜΑ ΕΓΚΑΤΕΣΤΗΜΕΝΗ ΠΙΣΙΝΑ ΕΙΝΑΙ ΚΑΤΑΣΚΕΥΑΣΜΕΝΗ ΜΕΣΑ Η ΠΑΝΩ ΣΤΟ ΕΔΑΦΟΣ Ω ΣΕ ΕΝΑ ΚΤΙΡΙΟ ΕΤΣΙ ΠΟΥ ΝΑ ΜΗΝ ΜΠΟΡΕΙ ΕΥΚΟΛΑ ΝΑ ΑΠΟΣΥΝΑΡΜΟΛΟΓΗΘΕΙ ΓΙΑ ΦΥΛΑΞΗ.

- Η ΣΥΣΚΕΥΗ ΑΥΤΗ ΜΠΟΡΕΙ ΝΑ ΧΡΗΣΙΜΟΠΟΙΗΘΕΙ ΑΠΟ ΠΑΙΔΙΑ ΗΛΙΚΙΑΣ 8 ΕΤΩΝ ΚΑΙ ΑΝΩ ΚΑΙ ΑΠΟ ΑΤΟΜΑ ΜΕ ΜΕΙΩΜΕΝΕΣ ΣΩΜΑΤΙΚΕΣ, ΑΙΣΘΗΤΙΚΕΣ Η ΝΟΗΤΙΚΕΣ ΙΚΑΝΟΤΗΤΕΣ Η ΕΛΛΕΙΨΗ ΕΜΠΕΙΡΙΑΣ ΚΑΙ ΓΝΩΣΗΣ ΕΑΝ ΤΟΥΣ ΕΧΕΙ ΠΑΡΑΣΧΕΘΕΙ ΕΠΙΤΗΡΗΣΗ Η ΚΑΘΟΔΗΓΗΣΗ ΣΧΕΤΙΚΑ ΜΕ ΤΗ ΧΡΗΣΗ ΤΗΣ ΣΥΣΚΕΥΗΣ ΜΕ ΑΣΦΑΛΗ ΤΡΟΠΟ ΩΣΤΕ ΝΑ ΚΑΤΑΝΟΟΥΝ ΤΟΥΣ ΚΙΝΔΥΝΟΥΣ ΠΟΥ ΥΠΑΡΧΟΥΝ. ΤΑ ΠΑΙΔΙΑ ΔΕΝ ΠΡΕΠΕΙ ΝΑ ΠΑΙΖΟΥΝ ΜΕ ΤΗ ΣΥΣΚΕΥΗ. Ο ΚΑΘΑΡΙΣΜΟΣ ΚΑΙ Η ΣΥΝΤΗΡΗΣΗ ΔΕΝ ΠΡΕΠΕΙ ΝΑ ΠΡΑΓΜΑΤΟΠΟΙΕΙΤΑΙ ΑΠΟ ΠΑΙΔΙΑ ΧΩΡΙΣ ΕΠΙΤΗΡΗΣΗ. (ΓΙΑ ΤΗΝ ΑΓΟΡΑ ΤΗΣ ΕΕ)
- Η ΣΥΣΚΕΥΗ ΑΥΤΗ ΔΕΝ ΠΡΟΟΡΙΖΕΤΑΙ ΓΙΑ ΧΡΗΣΗ ΑΠΟ ΑΤΟΜΑ (ΣΥΜΠΕΡΙΛΑΜΒΑΝΟΜΕΝΩΝ ΚΑΙ ΠΑΙΔΙΩΝ) ΜΕ ΜΕΙΩΜΕΝΕΣ ΣΩΜΑΤΙΚΕΣ, ΑΙΣΘΗΤΙΚΕΣ Η ΝΟΗΤΙΚΕΣ ΙΚΑΝΟΤΗΤΕΣ Η ΕΛΛΕΙΨΗ ΕΜΠΕΙΡΙΑΣ ΚΑΙ ΓΝΩΣΗΣ ΕΑΝ ΤΟΥΣ ΕΧΕΙ ΠΑΡΑΣΧΕΘΕΙ ΕΠΙΤΗΡΗΣΗ Η

ΚΑΘΟΔΗΓΗΣΗ ΣΧΕΤΙΚΑ ΜΕ ΤΗ ΧΡΗΣΗ ΤΗΣ ΣΥΣΚΕΥΗΣ ΑΠΟ ΑΤΟΜΟ ΥΠΕΥΘΥΝΟ ΓΙΑ ΤΗΝ ΑΣΦΑΛΕΙΑ ΤΟΥΣ. ΤΑ ΠΑΙΔΙΑ ΘΑ ΠΡΕΠΕΙ ΝΑ ΕΠΙΤΗΡΟΥΝΤΑΙ ΩΣΤΕ ΝΑ ΕΞΑΣΦΑΛΙΣΤΕΙ ΟΤΙ ΔΕΝ ΠΑΙΖΟΥΝ ΜΕ ΑΥΤΗ ΤΗ ΣΥΣΚΕΥΗ. (ΓΙΑ ΤΗΝ ΑΓΟΡΑ ΕΚΤΟΣ ΤΗΣ ΕΕ)

- Ο ΚΑΘΑΡΙΣΜΟΣ ΚΑΙ Η ΣΥΝΤΗΡΗΣΗ ΠΡΕΠΕΙ ΝΑ ΓΙΝΕΤΑΙ ΑΠΟ ΕΝΑΝ ΕΝΗΛΙΚΑ ΗΛΙΚΙΑΣ ΑΝΩ ΤΩΝ 18 ΕΤΩΝ, Ο ΟΠΟΙΟΣ ΓΝΩΡΙΖΕΙ ΤΟΝ ΚΙΝΔΥΝΟ ΤΗΣ ΗΛΕΚΤΡΟΠΛΗΞΙΑΣ

ΣΗΜΕΙΩΣΗ:

- ΤΟΠΟΘΕΤΗΣΤΕ ΤΟ ΦΙΛΤΡΟ ΑΜΜΟΥ ΣΕ ΣΤΕΡΕΟ, ΕΠΙΠΕΔΟ ΕΔΑΦΟΣ. ΔΙΑΣΦΑΛΙΣΤΕ ΟΤΙ ΤΟ ΦΙΛΤΡΟ ΑΜΜΟΥ ΒΡΙΣΚΕΤΑΙ ΣΕ ΤΟΥΛΑΧΙΣΤΟΝ 2 ΜΕΤΡΟ ΑΠΟΣΤΑΣΗ ΑΠΟ ΤΗΝ ΑΚΡΗ ΤΗΣ ΠΙΣΙΝΑΣ. ΔΙΑΤΗΡΗΣΤΕ ΟΣΟ ΜΕΓΑΛΥΤΕΡΗ ΑΠΟΣΤΑΣΗ ΓΙΝΕΤΑΙ.
- ΦΡΟΝΤΙΣΤΕ ΝΑ ΤΟΠΟΘΕΤΗΣΕΤΕ ΤΗΝ ΠΙΣΙΝΑ ΚΑΙ ΤΟ ΦΙΛΤΡΟ ΑΜΜΟΥ ΕΤΣΙ ΠΟΥ ΝΑ ΥΠΑΡΧΕΙ ΔΙΑΘΕΣΙΜΟΣ ΑΕΡΙΣΜΟΣ, ΠΑΡΟΧΕΤΕΥΣΗ ΚΑΙ ΠΡΟΣΒΑΣΗ ΓΙΑ ΣΥΝΤΗΡΗΣΗ. ΜΗΝ ΕΓΚΑΤΑΣΤΗΣΕΤΕ ΠΟΤΕ ΤΟ ΦΙΛΤΡΟ ΑΜΜΟΥ ΣΕ ΜΙΑ ΠΕΡΙΟΧΗ ΟΠΟΥ ΕΝΔΕΧΕΤΑΙ ΝΑ ΥΠΑΡΞΕΙ ΣΥΣΣΩΡΕΥΣΗ ΝΕΡΟΥ Η ΣΕ ΕΝΑ ΠΟΛΥΣΥΧΝΑΣΤΟ ΧΩΡΟ ΔΙΑΒΑΣΗΣ.
- ΕΙΝΑΙ ΑΠΑΡΑΙΤΗΤΟ ΝΑ ΥΠΑΡΧΕΙ ΠΡΟΣΒΑΣΗ ΣΤΟ ΒΥΣΜΑ ΜΕΤΑ ΤΗΝ ΕΓΚΑΤΑΣΤΑΣΗ ΤΗΣ ΠΙΣΙΝΑΣ. ΤΟ ΒΥΣΜΑ ΤΟΥ ΦΙΛΤΡΟΥ ΑΜΜΟΥ ΠΡΕΠΕΙ ΝΑ ΒΡΙΣΚΕΤΑΙ ΣΕ ΤΟΥΛΑΧΙΣΤΟΝ 3,5μ. ΜΕΤΡΑ ΑΠΟΣΤΑΣΗ ΑΠΟ ΤΗΝ ΠΙΣΙΝΑ.
- ΟΙ ΑΤΜΟΣΦΑΙΡΙΚΕΣ ΣΥΝΘΗΚΕΣ ΕΝΔΕΧΕΤΑΙ ΝΑ ΕΠΗΡΕΑΣΟΥΝ ΤΗΝ ΑΠΟΔΟΣΗ ΚΑΙ ΤΗ ΔΙΑΡΚΕΙΑ ΖΩΗΣ ΤΟΥ ΦΙΛΤΡΟΥ ΑΜΜΟΥ. ΛΑΒΕΤΕ ΚΑΤΑΛΛΗΛΕΣ ΠΡΟΦΥΛΑΞΕΙΣ ΓΙΑ ΝΑ ΠΡΟΣΤΑΤΕΥΣΕΤΕ ΤΟ ΦΙΛΤΡΟ ΑΜΜΟΥ ΑΠΟ ΦΘΟΡΑ ΠΟΥ ΜΠΟΡΕΙ ΝΑ ΣΥΜΒΕΙ ΣΕ ΠΕΡΙΟΔΟΥΣ ΨΥΧΡΟΥ Η ΖΕΣΤΟΥ ΚΑΙΡΟΥ Ω/ΚΑΙ ΕΚΘΕΣΗ ΣΤΟΝ ΗΛΙΟ.
- ΠΑΡΑΚΑΛΟΥΜΕ ΕΞΕΤΑΣΤΕ ΚΑΙ ΕΠΑΛΗΘΕΥΣΤΕ ΟΤΙ ΥΠΑΡΧΟΥΝ ΟΛΑ ΤΑ ΜΕΡΗ ΤΟΥ ΦΙΛΤΡΟΥ ΑΜΜΟΥ ΠΡΙΝ ΤΗ ΧΡΗΣΗ. ΕΙΔΟΠΟΙΗΣΤΕ ΤΗΝ Bestway ΣΤΗΝ ΔΙΕΥΘΥΝΣΗ ΥΠΗΡΕΣΙΑΣ ΠΕΛΑΤΩΝ ΠΟΥ ΑΝΑΓΡΑΦΕΤΑΙ ΣΕ ΑΥΤΟ ΤΟ ΕΓΧΕΙΡΙΔΙΟ ΓΙΑ ΤΥΧΟΝ ΜΕΡΗ ΠΟΥ ΕΧΟΥΝ ΥΠΟΣΤΕΙ ΖΗΜΙΑ Η ΠΟΥ ΛΕΙΠΟΥΝ ΚΑΤΑ ΤΗΝ ΣΤΙΓΜΗ ΤΗΣ ΑΓΟΡΑΣ.
- ΕΙΝΑΙ ΕΠΙΤΑΚΤΙΚΗ ΑΝΑΓΚΗ ΝΑ ΑΛΛΑΞΕΤΕ ΟΣΟ ΤΟ ΔΥΝΑΤΟ ΣΥΝΤΟΜΟΤΕΡΑ ΟΛΑ ΤΑ ΤΜΗΜΑΤΑ ΠΟΥ ΈΧΟΥΝ ΠΑΘΕΙ ΒΛΑΒΗ. ΝΑ ΧΡΗΣΙΜΟΠΟΙΕΙΤΕ ΜΟΝΟ ΕΞΑΡΤΗΜΑΤΑ ΤΑ ΟΠΟΙΑ ΕΙΝΑΙ ΕΓΚΕΚΡΙΜΕΝΑ ΑΠΟ ΤΟΝ ΚΑΤΑΣΚΕΥΑΣΤΗ.
- ΜΗΝ ΕΠΙΤΡΕΠΕΤΕ ΣΕ ΠΑΙΔΙΑ Η ΕΝΗΛΙΚΕΣ ΝΑ ΣΤΗΡΙΖΟΝΤΑΙ Η ΝΑ ΚΑΘΟΝΤΑΙ ΣΤΗ ΣΥΣΚΕΥΗ.
- ΜΗΝ ΠΡΟΣΘΕΤΕΤΕ ΧΗΜΙΚΑ ΣΤΟ ΦΙΛΤΡΟ ΑΜΜΟΥ.
- ΟΤΑΝ ΓΙΑ ΤΟΝ ΚΑΘΑΡΙΣΜΟ ΤΟΥ ΝΕΡΟΥ ΤΗΣ ΠΙΣΙΝΑΣ ΧΡΗΣΙΜΟΠΟΙΟΥΝΤΑΙ ΧΗΜΙΚΑ, ΣΥΝΙΣΤΑΤΑΙ ΝΑ ΤΗΡΕΙΤΕ ΤΟΝ ΕΛΑΧΙΣΤΟ ΧΡΟΝΟ ΦΙΛΤΡΑΡΙΣΜΑΤΟΣ ΓΙΑ ΝΑ ΠΡΟΣΤΑΤΕΥΣΕΤΕ ΤΗΝ ΥΓΕΙΑ ΤΩΝ ΚΟΛΥΜΒΗΤΩΝ Η ΟΠΟΙΑ ΕΞΑΡΤΑΤΑΙ ΑΠΟ ΤΗΝ ΤΗΡΗΣΗ ΤΩΝ ΥΓΕΙΟΝΟΜΙΚΩΝ ΚΑΝΟΝΙΣΜΩΝ.
- ΜΟΝΟ ΤΑ ΜΕΣΑ ΠΟΥ ΠΑΡΕΧΟΝΤΑΙ Η ΠΟΥ ΚΑΘΟΡΙΖΟΝΤΑΙ ΑΠΟ ΤΟΝ ΚΑΤΑΣΚΕΥΑΣΤΗ ΠΡΕΠΕΙ ΝΑ ΧΡΗΣΙΜΟΠΟΙΟΥΝΤΑΙ ΜΕ ΤΗΝ ΕΓΚΑΤΑΣΤΑΣΗ ΤΟΥ ΠΡΟΪΟΝΤΟΣ.
- ΕΙΝΑΙ ΑΠΑΡΑΙΤΗΤΟ ΝΑ ΕΛΕΓΞΕΤΕ ΟΤΙ ΤΑ ΑΝΟΙΓΜΑΤΑ ΑΝΑΡΡΟΦΗΣΗΣ ΔΕΝ ΠΑΡΕΜΠΟΔΙΖΟΝΤΑΙ.
- ΣΥΝΙΣΤΑΤΑΙ ΝΑ ΔΙΑΚΟΠΤΕΤΕ ΤΟ ΦΙΛΤΡΑΡΙΣΜΑ ΚΑΤΑ ΤΗ ΔΙΑΡΚΕΙΑ ΕΡΓΑΣΙΩΝ ΣΥΝΤΗΡΗΣΗΣ ΣΤΟ ΣΥΣΤΗΜΑ ΦΙΛΤΡΑΡΙΣΜΑΤΟΣ.
- ΕΠΙΘΕΩΡΕΙΤΕ ΤΑΚΤΙΚΑ ΤΗ ΣΤΑΘΜΗ ΑΠΟΦΡΑΞΗΣ ΤΟΥ ΦΙΛΤΡΟΥ.

- ΣΥΝΙΣΤΑΤΑΙ ΕΝΑΣ ΕΒΔΟΜΑΔΙΑΙΟΣ ΕΛΕΓΧΟΣ ΓΙΑ ΕΚΠΛΥΣΗ Η ΚΑΘΑΡΙΣΜΟ. ΣΥΝΙΣΤΑΤΑΙ ΕΛΑΧΙΣΤΟΣ ΗΜΕΡΗΣΙΟΣ ΧΡΟΝΟΣ ΛΕΙΤΟΥΡΓΙΑΣ ΦΙΛΤΡΑΡΙΣΜΑΤΟΣ 8 ΩΡΩΝ ΓΙΑ ΝΑ ΕΞΑΣΦΑΛΙΖΕΤΑΙ ΚΑΘΑΡΟ ΝΕΡΟ ΣΤΗΝ ΠΙΣΙΝΑ.
- ΕΙΝΑΙ ΑΠΑΡΑΙΤΗΤΟ ΝΑ ΑΛΛΑΖΕΤΕ ΟΠΟΙΟΔΗΠΟΤΕ ΚΑΤΕΣΤΡΑΜΜΕΝΟ ΣΤΟΙΧΕΙΟ Η ΣΥΝΟΛΟ ΣΤΟΙΧΕΙΩΝ ΤΟ ΣΥΝΤΟΜΟΤΕΡΟ ΔΥΝΑΤΟ. ΧΡΗΣΙΜΟΠΟΙΕΙΤΕ ΜΟΝΟ ΑΝΤΑΛΛΑΚΤΙΚΑ ΕΓΚΕΚΡΙΜΕΝΑ ΑΠΟ ΤΟΝ ΥΠΕΥΘΥΝΟ ΓΙΑ ΤΗ ΔΙΑΘΕΣΗ ΤΟΥ ΠΡΟΪΟΝΤΟΣ ΣΤΗΝ ΑΓΟΡΑ.
- ΌΛΑ ΤΑ ΦΙΛΤΡΑ ΚΑΙ ΜΕΣΑ ΦΙΛΤΡΑΡΙΣΜΑΤΟΣ ΠΡΕΠΕΙ ΝΑ ΕΠΙΘΕΩΡΟΥΝΤΑΙ ΤΑΚΤΙΚΑ ΓΙΑ ΝΑ ΕΞΑΣΦΑΛΙΖΕΤΑΙ ΟΤΙ ΔΕΝ ΥΠΑΡΧΕΙ ΣΥΣΣΩΡΕΥΣΗ ΥΠΟΛΕΙΜΜΑΤΩΝ ΕΜΠΟΔΙΖΟΝΤΑΣ ΕΤΣΙ ΤΟ ΚΑΛΟ ΦΙΛΤΡΑΡΙΣΜΑ. Η ΑΠΟΡΡΙΨΗ ΟΠΟΙΩΝΔΗΠΟΤΕ ΜΕΤΑΧΕΙΡΙΣΜΕΝΩΝ ΜΕΣΩΝ ΦΙΛΤΡΑΡΙΣΜΑΤΟΣ ΘΑ ΠΡΕΠΕΙ ΕΠΙΣΗΣ ΝΑ ΕΙΝΑΙ ΣΥΜΦΩΝΗ ΜΕ ΤΟΥΣ ΙΣΧΥΟΝΤΕΣ ΚΑΝΟΝΙΣΜΟΥΣ/ΝΟΜΟΘΕΣΙΑ.
- ΤΗΡΗΣΤΕ ΟΛΕΣ ΤΙΣ ΑΠΑΙΤΗΣΕΙΣ ΑΣΦΑΛΕΙΑΣ ΚΑΙ ΤΙΣ ΣΥΣΤΑΣΕΙΣ ΠΟΥ ΠΕΡΙΓΡΑΦΟΝΤΑΙ ΣΤΟ ΕΓΧΕΙΡΙΔΙΟ. ΣΕ ΠΕΡΙΠΤΩΣΗ ΑΜΦΙΒΟΛΙΑΣ ΣΧΕΤΙΚΑ ΜΕ ΤΗΝ ΑΝΤΛΙΑ Η ΟΠΟΙΕΣΔΗΠΟΤΕ ΑΛΛΕΣ ΣΥΣΚΕΥΕΣ ΚΥΚΛΟΦΟΡΙΑΣ, ΕΠΙΚΟΙΝΩΝΗΣΤΕ ΜΕ ΕΝΑΝ ΕΞΕΙΔΙΚΕΥΜΕΝΟ ΕΓΚΑΤΑΣΤΑΤΗ, Η ΜΕ ΤΟΝ ΚΑΤΑΣΚΕΥΑΣΤΗ / ΕΙΣΑΓΩΓΕΑ / ΑΝΤΙΠΡΟΣΩΠΟ. Η ΕΓΚΑΤΑΣΤΑΣΗ ΚΥΚΛΟΦΟΡΙΑΣ ΤΟΥ ΝΕΡΟΥ ΠΡΕΠΕΙ ΝΑ ΣΥΜΜΟΡΦΩΝΕΤΑΙ ΤΟΣΟ ΜΕ ΤΟΥΣ ΕΥΡΩΠΑΪΚΟΥΣ ΟΣΟ ΚΑΙ ΜΕ ΤΟΥΣ ΕΘΝΙΚΟΥΣ/ΤΟΠΙΚΟΥΣ ΚΑΝΟΝΙΣΜΟΥΣ, ΕΙΔΙΚΑ ΣΕ ΟΤΙ ΑΦΟΡΑ ΗΛΕΚΤΡΟΛΟΓΙΚΑ ΖΗΤΗΜΑΤΑ. ΟΠΟΙΑΔΗΠΟΤΕ ΑΛΛΑΓΗ ΣΤΗ ΘΕΣΗ ΤΗΣ ΒΑΛΒΙΔΑΣ, ΣΤΟ ΜΕΓΕΘΟΣ ΤΗΣ ΑΝΤΛΙΑΣ, ΣΤΟ ΜΕΓΕΘΟΣ ΤΗΣ ΣΧΑΡΑΣ ΜΠΟΡΕΙ ΝΑ ΠΡΟΚΑΛΕΣΕΙ ΜΙΑ ΑΛΛΑΓΗ ΤΗΣ ΠΑΡΟΧΗΣ ΚΑΙ Η ΤΑΧΥΤΗΤΑ ΑΝΑΡΡΟΦΗΣΗΣ ΜΠΟΡΕΙ ΝΑ ΑΥΞΗΘΕΙ.
- ΑΥΤΟ ΤΟ ΠΡΟΪΟΝ ΔΕΝ ΠΡΟΟΡΙΖΕΤΑΙ ΓΙΑ ΕΜΠΟΡΙΚΗ ΧΡΗΣΗ.

ΠΑΡΑΚΑΛΟΥΜΕ ΔΙΑΒΑΣΤΕ ΠΡΟΣΕΚΤΙΚΑ ΤΟ ΕΓΧΕΙΡΙΔΙΟ ΟΔΗΓΙΩΝ ΚΑΙ ΦΥΛΑΞΤΕ ΤΟ ΓΙΑ ΜΕΛΛΟΝΤΙΚΗ ΑΝΑΦΟΡΑ. ΦΥΛΑΞΤΕ ΑΥΤΕΣ ΤΙΣ ΟΔΗΓΙΕΣ

ΑΠΟΡΡΙΨΗ



ΣΗΜΑΣΙΑ ΤΟΥ ΔΙΑΓΡΑΜΜΕΝΟΥ ΤΡΟΧΟΦΟΡΟΥ ΚΑΔΟΥ ΑΠΟΡΡΙΜΜΑΤΩΝ:

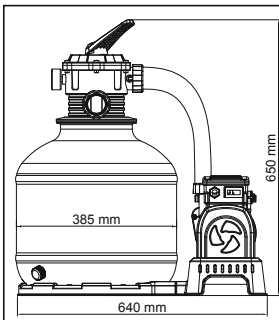
ΜΗΝ ΑΠΟΡΡΙΠΤΕΤΕ ΤΙΣ ΗΛΕΚΤΡΙΚΕΣ ΣΥΣΚΕΥΕΣ ΩΣ ΜΗ ΤΑΞΙΝΟΜΗΜΕΝΑ ΔΗΜΟΤΙΚΑ ΑΠΟΡΡΙΜΜΑΤΑ. ΧΡΗΣΙΜΟΠΟΙΗΣΤΕ ΕΓΚΑΤΑΣΤΑΣΕΙΣ ΞΕΧΩΡΙΣΤΗΣ ΣΥΛΛΟΓΗΣ.

ΕΠΙΚΟΙΝΩΝΗΣΤΕ ΜΕ ΤΗΝ ΤΟΠΙΚΗ ΚΥΒΕΡΝΗΣΗ ΓΙΑ ΠΛΗΡΟΦΟΡΙΕΣ ΣΧΕΤΙΚΑ ΜΕ ΤΑ ΔΙΑΘΕΣΙΜΑ ΣΥΣΤΗΜΑΤΑ ΣΥΛΛΟΓΗΣ.

ΕΑΝ ΟΙ ΗΛΕΚΤΡΙΚΕΣ ΣΥΣΚΕΥΕΣ ΑΠΟΡΡΙΠΤΟΝΤΑΙ ΣΕ ΧΩΡΟΥΣ ΤΑΦΗΣ ΑΠΟΒΛΗΤΩΝ Ή ΧΩΜΑΤΕΡΕΣ, ΕΠΙΚΙΝΔΥΝΕΣ ΟΥΣΙΕΣ ΜΠΟΡΕΙ ΝΑ ΔΙΑΡΕΥΣΟΥΝ ΣΤΑ ΥΠΟΓΕΙΑ ΥΔΑΤΑ ΚΑΙ ΝΑ ΕΙΣΑΧΘΟΥΝ ΣΤΗ ΔΙΑΤΡΟΦΙΚΗ ΑΛΥΣΙΔΑ ΠΡΟΚΑΛΩΝΤΑΣ ΒΛΑΒΗ ΣΤΗΝ ΥΓΕΙΑ ΚΑΙ ΤΗΝ ΕΥΕΞΙΑ ΣΑΣ.

ΟΤΑΝ ΑΝΤΙΚΑΘΙΣΤΑΤΕ ΠΑΛΙΕΣ ΣΥΣΚΕΥΕΣ ΜΕ ΚΑΙΝΟΥΡΙΕΣ, Ο ΕΜΠΟΡΟΣ ΕΙΝΑΙ ΝΟΜΙΚΑ ΥΠΟΧΡΕΩΜΕΝΟΣ ΝΑ ΠΑΡΕΙ ΠΙΣΩ ΤΙΣ ΠΑΛΙΕΣ ΣΥΣΚΕΥΕΣ ΣΑΣ ΓΙΑ ΑΠΟΡΡΙΨΗ ΤΟΥΛΑΧΙΣΤΟΝ ΔΩΡΕΑΝ.

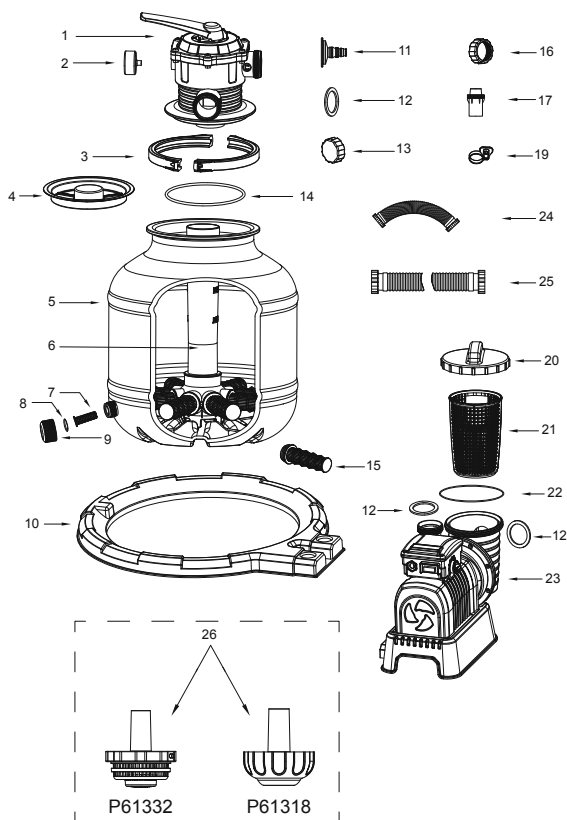
ΠΡΟΔΙΑΓΡΑΦΕΣ



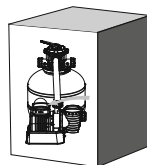
ΔΙΑΜΕΤΡΟΣ ΦΙΛΤΡΟΥ:	385 mm
ΕΝΕΡΓΗ ΠΕΡΙΟΧΗ ΦΙΛΤΡΟΥ:	0.11 m ² (1.18 ft ²)
Max. ΠΙΕΣΗ ΛΕΙΤΟΥΡΓΙΑΣ:	1.59 Bar (23 PSI)
ΠΙΕΣΗ ΕΡΓΑΣΙΑΣ ΦΙΛΤΡΟΥ ΑΜΜΟΥ:	<0.55 Bar (8 PSI)
Max. ΘΕΡΜΟΚΡΑΣΙΑ ΝΕΡΟΥ:	35°C
ΑΜΜΟΣ:	ΔΕΝ ΣΥΜΠΕΡΙΛΑΜΒΑΝΕΤΑΙ.
ΜΕΓΕΘΟΣ ΑΜΜΟΥ:	ΠΥΡΙΤΙΚΗ ΑΜΜΟΣ ΑΡ. 20, 0,45-0,85 mm
ΧΩΡΗΤΙΚΟΤΗΤΑ ΑΜΜΟΥ:	ΠΕΡΙΠΟΥ 36 kg

ΑΝΑΣΚΟΠΗΣΗ ΑΝΑΦΟΡΑΣ ΜΕΡΩΝ

ΠΡΙΝ ΤΗ ΣΥΝΑΡΜΟΛΟΓΗΣΗ ΤΟΥ ΦΙΛΤΡΟΥ ΑΜΜΟΥ, ΑΦΙΕΡΩΣΤΕ ΛΙΓΑ ΛΕΠΤΑ ΓΙΑ ΝΑ ΕΞΟΙΚΕΙΩΘΕΙΤΕ ΜΕ ΟΛΑ ΤΑ ΜΕΡΗ ΑΥΤΟΥ.



A

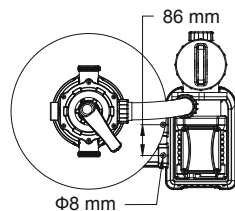


ΑΡ. ΑΝΑΦ.	ΚΩΔ. ΕΙΔΟΥΣ ΑΝΤΑΜΑΚΤΙΚΟΥ	A
1	P03831	1
2	P61138ASS16	1
3	P03832	2
4	P61209ASS16	1
5	P03843	1
6	P03844	1
7	P61211ASS16	1
8	P6581ASS16	1
9	P6580ASS16	1
10	P03845	1
11	P6614ASS16	1
12	P6029ASS16	5
13	P03830	1
14	P61214ASS16	1
15	P61210ASS16	8
16	P03829	1
17	P6916ASS16	2
19	P6124ASS16	2
20	P6561ASS16	1
21	P6562ASS16	1
22	P6563ASS16	1
23	P03814(EU)/P03816(GB)	1
24	P03849	1
25	P6518ASS16	2
26	P61322ASS16	1
	P61318ASS16	1

ΣΥΝΑΡΜΟΛΟΓΗΣΗ (ΘΑ ΧΡΕΙΑΣΤΕΙΤΕ ΕΝΑ ΚΑΤΣΑΒΙΔΙ.)



1. ΑΦΑΙΡΕΣΤΕ ΠΡΟΣΕΚΤΙΚΑ ΟΛΑ ΤΑ ΕΞΑΡΤΗΜΑΤΑ ΑΠΟ ΤΗ ΣΥΣΚΕΥΑΣΙΑ ΚΑΙ ΕΛΕΓΞΤΕ ΓΙΑ ΝΑ ΒΕΒΑΙΩΘΕΙΤΕ ΟΤΙ ΔΕΝ ΥΠΑΡΧΕΙ ΠΟΥΘΕΝΑ ΒΛΑΒΗ. ΑΝ Ο ΕΞΟΠΛΙΣΜΟΣ ΠΑΡΟΥΣΙΑΖΕΙ ΒΛΑΒΗ, ΕΙΔΟΠΟΙΗΣΤΕ ΑΜΕΣΩΣ ΤΟΝ ΜΕΤΑΠΩΛΗΤΗ ΑΠ'ΟΠΟΥ ΑΓΟΡΑΣΤΗΚΕ.



2. ΤΟ ΦΙΛΤΡΟ ΑΜΜΟΥ ΠΡΕΠΕΙ ΝΑ ΤΟΠΟΘΕΤΕΙΤΑΙ ΣΕ ΣΤΕΡΕΟ, ΕΠΙΠΕΔΟ ΕΔΑΦΟΣ, ΠΡΟΤΙΜΟΤΕΡΑ ΣΕ ΒΑΘΡΟ ΣΚΥΡΟΔΕΜΑΤΟΣ. ΤΟΠΟΘΕΤΗΣΤΕ ΤΟ ΦΙΛΤΡΟ ΑΜΜΟΥ ΕΤΣΙ ΠΟΥ ΟΙ ΘΥΡΕΣ ΚΑΙ ΟΙ ΒΑΛΒΙΔΕΣ ΕΛΕΓΧΟΥ ΝΑ ΕΙΝΑΙ ΠΡΟΣΠΕΛΑΣΙΜΕΣ ΓΙΑ ΛΕΙΤΟΥΡΓΙΑ, ΣΥΝΤΗΡΗΣΗ ΚΑΙ ΑΠΟΘΗΚΕΥΣΗ ΓΙΑ ΤΟΝ ΧΕΙΜΩΝΑ.
3. ΚΑΤΑ ΤΙΣ ΑΠΑΙΤΗΣΕΙΣ ΔΟΚΙΜΩΝ ΠΟΥ ΠΡΟΔΙΑΓΡΑΦΟΝΤΑΙ ΑΠΟ ΤΟ ΠΡΟΤΥΠΟ EN60335-2-41, ΤΟ ΦΙΛΤΡΟ ΑΜΜΟΥ ΠΡΕΠΕΙ ΝΑ ΣΤΕΡΕΩΝΕΤΑΙ ΚΑΤΑΚΟΡΥΦΑ ΣΤΟ ΕΔΑΦΟΣ Η ΝΑ ΚΑΤΑΣΚΕΥΑΖΕΤΑΙ ΕΝΑ ΒΑΘΡΟ ΑΠΟ ΞΥΛΟ Η ΣΚΥΡΟΔΕΜΑ ΠΡΙΝ ΑΠΟ ΤΗ ΧΡΗΣΗ ΓΙΑ ΤΗΝ ΠΡΟΛΗΨΗ ΑΚΟΥΣΙΑΣ ΠΤΩΣΗΣ ΤΟΥ ΦΙΛΤΡΟΥ ΑΜΜΟΥ. ΤΟ ΠΛΗΡΩΣ ΣΥΝΑΡΜΟΛΟΓΗΜΕΝΟ ΦΙΛΤΡΟ ΑΜΜΟΥ ΘΑ ΥΠΕΡΒΑΙΝΕΙ ΤΑ 18kg. ΟΙ ΟΠΕΣ ΤΟΠΟΘΕΤΗΣΗΣ ΠΡΕΠΕΙ ΝΑ ΕΧΟΥΝ ΔΙΑΜΕΤΡΟ 8mm ΚΑΙ ΝΑ ΑΠΕΧΟΥΝ 86mm. ΧΡΗΣΙΜΟΠΟΙΗΣΤΕ ΔΥΟ ΚΟΧΛΙΕΣ ΚΑΙ ΠΑΞΙΜΑΔΙΑ ΜΕ ΜΕΓΙΣΤΗ ΔΙΑΜΕΤΡΟ 8mm ΓΙΑ ΝΑ ΣΤΕΡΕΩΣΕΤΕ ΤΟ ΦΙΛΤΡΟ ΑΜΜΟΥ ΣΤΟ ΒΑΘΡΟ.

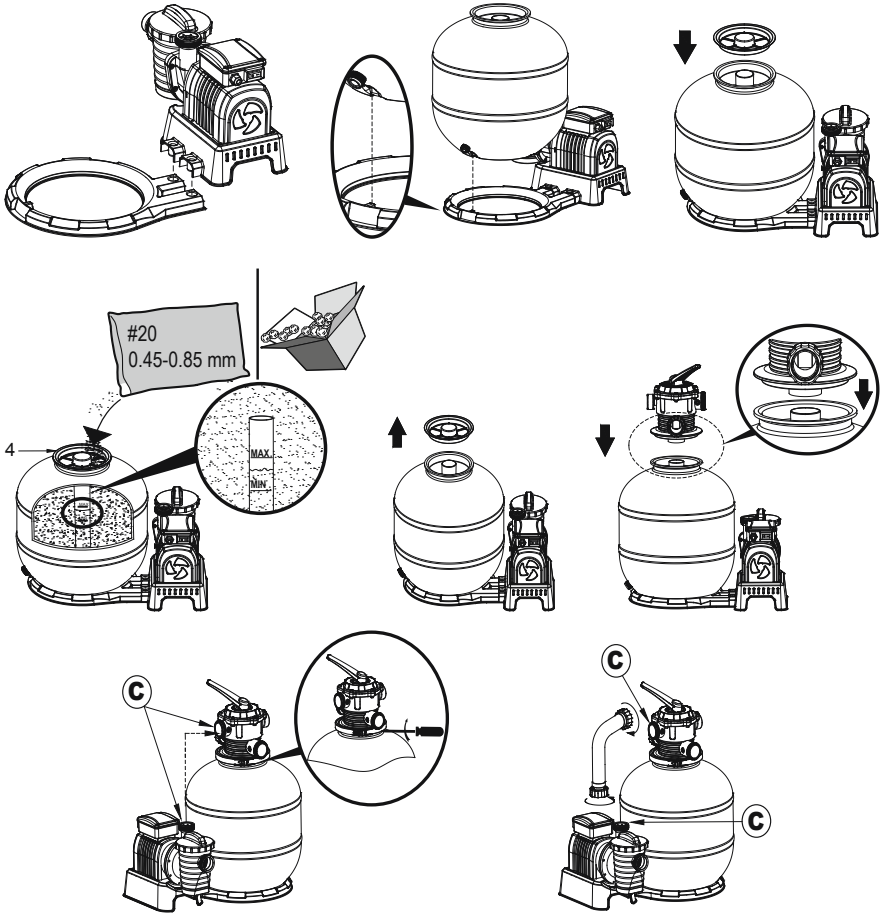
ΤΟΠΟΘΕΤΗΣΤΕ ΩΣ ΦΙΛΤΡΟ ΤΗΝ ΕΙΔΙΚΗ ΔΙΑΤΟΜΙΚΗ ΑΜΜΟ ΒΑΘΙΑΣ ΕΚΤΑΣΗΣ/Flowclear™ Polysphere.

ΣΗΜΕΙΩΣΗ: ΧΡΗΣΙΜΟΠΟΙΗΣΤΕ ΜΟΝΟ ΕΙΔΙΚΗ ΑΜΜΟ ΦΙΛΤΡΟΥ ΠΟΙΟΤΗΤΑΣ ΠΙΣΙΝΑΣ, ΧΩΡΙΣ ΑΣΒΕΣΤΟΛΙΘΟ Η ΠΗΛΟ. ΠΥΡΙΤΙΚΗ ΑΜΜΟΣ ΑΡ. 20, 0,45-0,85mm, ΠΕΡΙΠΟΥ ΕΝΑΣ ΣΑΚΟΣ 36kg ΘΑ ΠΡΕΠΕΙ ΝΑ ΕΠΑΡΚΕΙ. ΕΑΝ ΔΕΝ ΧΡΗΣΙΜΟΠΟΙΪΗΣΤΕ ΤΟ ΣΥΝΙΣΤΩΜΕΝΟ ΜΕΓΕΘΟΣ ΑΜΜΟΥ ΦΙΛΤΡΟΥ, Η ΑΠΟΔΟΣΗ ΤΟΥ ΦΙΛΤΡΑΡΙΣΜΑΤΟΣ ΘΑ ΜΕΙΩΘΕΙ ΚΑΙ ΤΟ ΦΙΛΤΡΟΥ ΑΜΜΟΥ ΜΠΟΡΕΪ ΝΑ ΥΠΟΣΤΕΪ ΖΗΜΙΑ, ΑΚΥΡΩΝΟΝΤΑΣ ΈΤΣΙ ΤΗΝ ΕΓΓΥΗΣΗ.

ΣΗΜΕΙΩΣΗ: ΓΙΑ ΝΑ ΑΠΟΦΕΥΧΘΕΙ ΒΛΑΒΗ ΣΤΟ ΞΑΦΡΙΣΤΗΡΙ ΚΑΤΑ ΤΗΝ ΠΡΟΣΘΗΚΗ ΑΜΜΟΥ, ΧΥΣΤΕ ΛΙΓΟ ΝΕΡΟ ΣΤΟ ΚΑΤΩ ΔΟΧΕΙΟ ΓΙΑ ΝΑ ΒΥΘΙΣΕΤΕ ΤΟ ΞΑΦΡΙΣΤΗΡΙ ΣΤΟΝ ΟΜΦΑΛΟ ΣΥΛΛΕΚΤΗ.

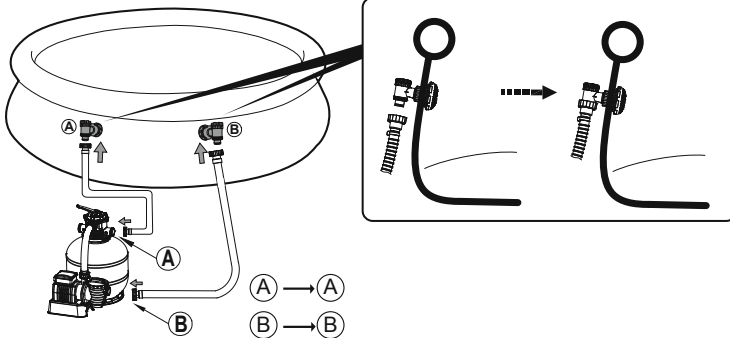
ΣΗΜΕΙΩΣΗ: Η ΑΜΜΟΣ/Flowclear™ Polysphere ΔΕΝ ΠΕΡΙΛΑΜΒΑΝΕΤΑΙ.

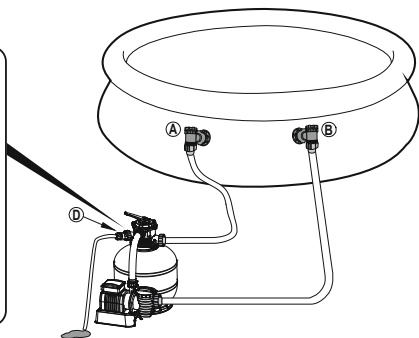
ΣΗΜΕΙΩΣΗ: ΧΡΗΣΙΜΟΠΟΙΗΣΤΕ 28 ΓΡΑΜΜΑΡΙΑ (0,06 ΛΙΒΡΕΣ) Flowclear™ Polysphere ΓΙΑ ΝΑ ΑΝΤΙΚΑΤΑΣΤΗΣΕΤΕ 1 ΚΙΛΟ (2,20 ΛΙΒΡΕΣ) ΑΜΜΟ.



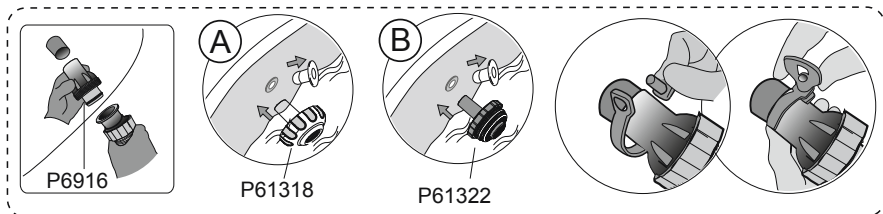
ΣΥΝΔΕΣΤΕ ΣΤΗΝ ΠΙΣΙΝΑ

1



2

ΓΙΑ ΠΙΣΙΝΑ ΜΕ ΒΑΛΒΙΔΑ 32mm (1,25in)



STOP ΠΑΡΑΚΑΛΟΥΜΕ ΔΙΑΒΑΣΤΕ ΠΡΟΣΕΚΤΙΚΑ ΤΟ ΕΓΧΕΙΡΙΔΙΟ ΠΡΙΝ ΤΗΝ ΕΝΕΡΓΟΠΟΙΗΣΗ.

ΛΕΙΤΟΥΡΓΙΑ

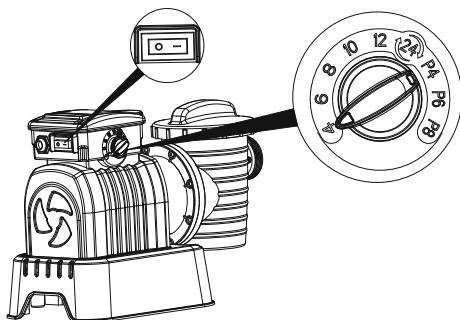
ΧΡΟΝΟΔΙΑΚΟΠΤΗΣ

1. ΣΥΝΔΕΣΤΕ ΣΕ ΜΙΑ ΠΡΙΖΑ ΡΕΥΜΑΤΟΣ, ΚΑΙ ΡΥΘΜΙΣΤΕ ΤΟΝ ΔΙΑΚΟΠΤΗ ΤΡΟΦΟΔΟΣΙΑΣ ΣΤΗ ΘΕΣΗ "ON" (-). ΤΟ ΦΙΛΤΡΟ ΑΜΜΟΥ ΘΑ ΑΡΧΙΣΕΙ ΝΑ ΛΕΙΤΟΥΡΓΕΙ ΑΜΕΣΩΣ.
2. ΓΥΡΙΣΤΕ ΤΟΝ ΔΙΑΚΟΠΤΗ ΤΡΟΦΟΔΟΣΙΑΣ ΣΤΗ ΘΕΣΗ "OFF" (0). ΤΟ ΦΙΛΤΡΟ ΑΜΜΟΥ ΘΑ ΣΤΑΜΑΤΗΣΕΙ ΝΑ ΛΕΙΤΟΥΡΓΕΙ ΑΜΕΣΩΣ.
3. ΜΕΤΑ ΤΗΝ ΕΝΕΡΓΟΠΟΙΗΣΗ, ΜΠΟΡΕΙΤΕ ΝΑ ΡΥΘΜΙΣΤΕ ΤΟΝ ΧΡΟΝΟ ΕΡΓΑΣΙΑΣ, ΤΟΝ ΧΡΟΝΟ ΑΝΑΠΑΥΣΗΣ ΚΑΙ ΤΟΝ ΧΡΟΝΟ ΚΥΚΛΟΥ ΛΕΙΤΟΥΡΓΙΑΣ ΓΥΡΙΖΟΝΤΑΣ ΤΟΝ ΔΙΑΚΟΠΤΗ ΣΤΗΝ ΕΠΙΘΥΜΗΤΗ ΘΕΣΗ. ΔΕΙΤΕ ΤΟΝ ΠΑΡΑΚΑΤΩ ΠΙΝΑΚΑ ΓΙΑ ΠΕΡΙΣΣΟΤΕΡΕΣ ΛΕΠΤΟΜΕΡΕΙΕΣ.
4. ΟΤΑΝ Ο ΧΡΟΝΟΔΙΑΚΟΠΤΗΣ ΜΕΤΑΚΙΝΗΘΕΙ ΣΕ ΜΙΑ ΝΕΑ ΘΕΣΗ, Ο ΠΡΟΗΓΟΥΜΕΝΟΣ ΚΥΚΛΟΣ ΛΕΙΤΟΥΡΓΙΑΣ ΤΟΥ

ΦΙΛΤΡΟΥ ΑΚΥΡΩΝΕΤΑΙ ΑΥΤΟΜΑΤΑ, ΩΣΤΕ ΝΑ ΜΠΟΡΕΙ ΝΑ ΞΕΚΙΝΗΣΕΙ ΕΝΑΣ ΝΕΟΣ ΚΥΚΛΟΣ.

5. ΚΑΘΕ ΦΟΡΑ ΠΟΥ ΕΝΕΡΓΟΠΟΙΕΙΤΑΙ Ή ΕΠΑΝΕΚΚΙΝΕΙΤΑΙ ΤΟ ΦΙΛΤΡΟ, ΘΑ ΞΕΚΙΝΗΣΕΙ ΕΝΑΣ ΝΕΟΣ ΚΥΚΛΟΣ ΛΕΙΤΟΥΡΓΙΑΣ ΜΕ ΒΑΣΗ ΤΗΝ ΘΕΣΗ ΤΟΥ ΧΡΟΝΟΔΙΑΚΟΠΤΗ.

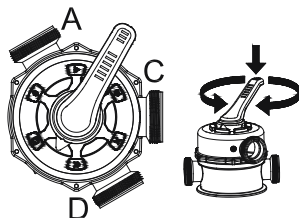
ΣΗΜΕΙΩΣΗ: ΕΑΝ ΤΟ ΠΛΗΚΤΡΟ ΕΙΝΑΙ ΡΥΘΜΙΣΜΕΝΟ ΣΤΗΝ 24-ΩΡΩΝ ΘΕΣΗ (24), ΤΟ ΦΙΛΤΡΟ ΑΜΜΟΥ ΘΑ ΛΕΙΤΟΥΡΓΕΙ ΣΥΝΕΧΩΣ ΧΩΡΙΣ ΠΕΡΙΟΔΟ ΑΝΑΠΑΥΣΗΣ.



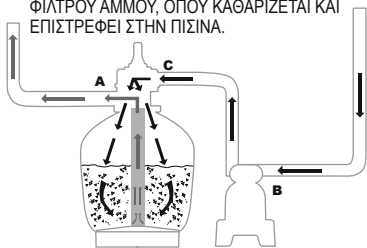
ΘΕΣΗ ΠΛΗΚΤΡΟΥ	ΧΡΟΝΟΣ ΕΡΓΑΣΙΑΣ (Ω)	ΧΡΟΝΟΣ ΑΝΑΠΑΥΣΗΣ (Ω)	ΠΕΡΙΟΔΟΣ ΚΥΚΛΟΥ (Ω)
4	4	20	24
6	6	18	24
8	8	16	24
10	10	14	24
12	12	12	24
24	24	0	24
P4	4	4	8
P6	6	6	12
P8	8	8	16

ΑΝΑΣΚΟΠΗΣΗ ΒΑΛΒΙΔΑΣ ΕΛΕΓΧΟΥ

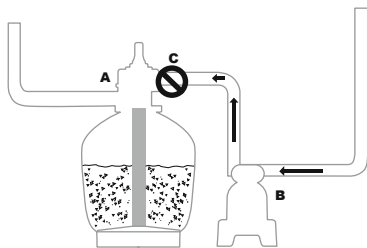
ΠΡΟΕΙΔΟΠΟΙΗΣΗ: ΓΙΑ ΤΗΝ ΠΡΟΛΗΨΗ ΒΛΑΒΗΣ ΤΟΥ ΕΞΟΠΛΙΣΜΟΥ ΚΑΙ ΠΙΘΑΝΟΥ ΤΡΑΥΜΑΤΙΣΜΟΥ, ΑΠΟΣΥΝΔΕΣΤΕ ΤΗΝ ΑΝΤΛΙΑ ΦΙΛΤΡΟΥ ΑΜΜΟΥ ΠΡΙΝ ΑΛΛΑΞΕΤΕ ΤΗ ΛΕΙΤΟΥΡΓΙΑ ΒΑΛΒΙΔΑΣ ΕΛΕΓΧΟΥ ΚΑΘΕ ΦΟΡΑ. ΑΛΛΑΓΗ ΤΩΝ ΘΕΣΕΩΝ ΒΑΛΒΙΔΑΣ ΕΝΩ Η ΑΝΤΛΙΑ ΛΕΙΤΟΥΡΓΕΙ ΜΠΟΡΕΙ ΝΑ ΠΡΟΚΑΛΕΣΕΙ ΒΛΑΒΗ ΣΤΗΝ ΒΑΛΒΙΔΑ ΕΛΕΓΧΟΥ, Η ΟΠΟΙΑ ΜΠΟΡΕΙ ΝΑ ΟΔΗΓΗΣΕΙ ΣΕ ΠΡΟΣΩΠΙΚΟ ΤΡΑΥΜΑΤΙΣΜΟ Η ΥΛΙΚΕΣ ΒΛΑΒΕΣ. ΠΩΣ ΝΑ ΧΡΗΣΙΜΟΠΟΙΗΣΕΤΕ ΤΗΝ ΒΑΛΒΙΔΑ ΕΛΕΓΧΟΥ ΠΙΕΣΤΕ ΠΡΟΣ ΤΑ ΚΑΤΩ ΤΗ ΛΑΒΗ ΤΗΣ ΒΑΛΒΙΔΑΣ ΕΛΕΓΧΟΥ ΚΑΙ ΠΕΡΙΣΤΡΕΨΤΕ ΣΤΗΝ ΕΠΙΘΥΜΗΤΗ ΛΕΙΤΟΥΡΓΙΑ.



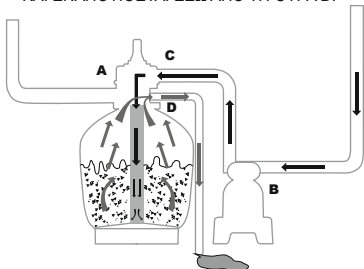
▶ ΦΙΛΤΡΟ: ΑΥΤΗ Η ΛΕΙΤΟΥΡΓΙΑ ΧΡΗΣΙΜΟΠΟΙΕΙΤΑΙ ΓΙΑ ΤΟ ΦΙΛΤΡΑΡΙΣΜΑ ΤΟΥ ΝΕΡΟΥ ΠΙΣΙΝΑΣ ΚΑΙ ΠΡΕΠΕΙ ΝΑ ΤΟΠΟΘΕΤΕΙΤΑΙ ΕΔΩ 99% ΤΟΥ ΧΡΟΝΟΥ. ΤΟ ΝΕΡΟ ΑΝΤΛΕΙΑΙ ΜΕΣΩ ΤΟΥ ΦΙΛΤΡΟΥ ΑΜΜΟΥ, ΟΠΟΥ ΚΑΘΑΡΙΖΕΤΑΙ ΚΑΙ ΕΠΙΣΤΡΕΦΕΙ ΣΤΗΝ ΠΙΣΙΝΑ.



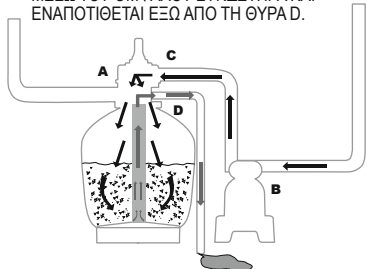
✗ ΚΛΕΙΣΙΜΟ: ΑΥΤΗ Η ΛΕΙΤΟΥΡΓΙΑ ΣΤΑΜΑΤΑ ΤΗ ΡΟΗ ΤΟΥ ΝΕΡΟΥ ΜΕΤΑΞΥ ΦΙΛΤΡΟΥ ΑΜΜΟΥ ΚΑΙ ΠΙΣΙΝΑΣ.



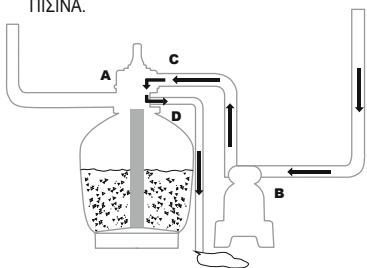
◀◀ ΑΝΑΣΤΡΟΦΗ ΠΛΥΣΗ: ΑΥΤΗ Η ΛΕΙΤΟΥΡΓΙΑ ΧΡΗΣΙΜΟΠΟΙΕΙΤΑΙ ΓΙΑ ΤΟΝ ΚΑΘΑΡΙΣΜΟ ΤΗΣ ΚΟΙΤΗΣ ΤΗΣ ΑΜΜΟΥ, ΤΟ ΝΕΡΟ ΑΝΤΛΕΙΑΙ ΠΡΟΣ ΤΑ ΚΑΤΩ ΜΕΣΩ ΤΟΥ ΟΜΦΑΛΟΥ ΣΥΝΔΕΤΗΡΑ, ΠΡΟΣ ΤΑ ΠΑΝΩ ΜΕΣΩ ΤΗΣ ΚΟΙΤΗΣ ΤΗΣ ΑΜΜΟΥ ΚΑΙ ΕΝΑΠΟΤΙΘΕΤΑΙ ΕΞΩ ΑΠΟ ΤΗ ΘΥΡΑ D.



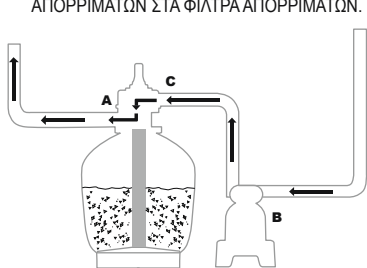
▶ Εκπλύση: ΑΥΤΗ Η ΛΕΙΤΟΥΡΓΙΑ ΕΙΝΑΙ ΓΙΑ ΑΡΧΙΚΗ ΕΚΚΙΝΗΣΗ, ΚΑΘΑΡΙΣΜΟ ΚΑΙ ΕΠΙΠΕΔΩΣΗ ΤΗΣ ΚΟΙΤΗΣ ΤΗΣ ΑΜΜΟΥ ΜΕΤΑ ΤΗΝ ΑΝΑΣΤΡΟΦΗ ΠΛΥΣΗ. ΤΟ ΝΕΡΟ ΑΝΤΛΕΙΑΙ ΠΡΟΣ ΤΑ ΚΑΤΩ ΜΕΣΩ ΤΗΣ ΚΟΙΤΗΣ ΤΗΣ ΑΜΜΟΥ, ΠΡΟΣ ΤΑ ΠΑΝΩ ΜΕΣΩ ΤΟΥ ΟΜΦΑΛΟΥ ΣΥΝΔΕΤΗΡΑ ΚΑΙ ΕΝΑΠΟΤΙΘΕΤΑΙ ΕΞΩ ΑΠΟ ΤΗ ΘΥΡΑ D.



☹ ΠΑΡΟΧΕΤΕΥΣΗ: ΑΥΤΗ Η ΛΕΙΤΟΥΡΓΙΑ ΠΑΡΟΧΕΤΕΥΕΙ ΝΕΡΟ ΑΠΟ ΤΗΝ ΠΙΣΙΝΑ. ΜΙΑ ΑΛΛΗ ΡΥΘΜΙΣΗ ΠΑΡΑΚΑΜΨΗΣ ΦΙΛΤΡΟΥ, ΤΟ ΝΕΡΟ ΑΝΤΛΕΙΑΙ ΚΑΙ ΕΝΑΠΟΤΙΘΕΤΑΙ ΕΞΩ ΑΠΟ ΤΗΝ ΘΥΡΑ D, ΑΝΤΙ ΝΑ ΕΠΙΣΤΡΕΦΕΙ ΣΤΗΝ ΠΙΣΙΝΑ.



↻ ΚΥΚΛΟΦΟΡΙΑ: ΑΥΤΗ Η ΛΕΙΤΟΥΡΓΙΑ ΚΥΚΛΟΦΕΡΙ ΤΟ ΝΕΡΟ ΠΙΣΙΝΑΣ ΠΑΡΑΚΑΜΠΤΟΝΤΑΣ ΤΟ ΦΙΛΤΡΟ ΑΜΜΟΥ. ΧΡΗΣΙΜΟΠΟΙΗΣΤΕ ΑΥΤΗ ΤΗ ΛΕΙΤΟΥΡΓΙΑ ΑΝ ΤΟ ΦΙΛΤΡΟ ΕΧΕΙ ΣΠΑΣΕΙ ΓΙΑ ΤΗ ΣΥΛΛΟΓΗ ΑΠΟΡΡΙΜΑΤΩΝ ΣΤΑ ΦΙΛΤΡΑ ΑΠΟΡΡΙΜΑΤΩΝ.



ΣΗΜΕΙΩΣΗ:

- ΒΕΒΑΙΩΘΕΙΤΕ ΟΤΙ ΟΛΕΣ ΟΙ ΡΥΘΜΙΣΕΙΣ ΓΙΑ ΤΗΝ ΑΠΟΡΡΙΨΗ ΤΟΥ ΝΕΡΟΥ ΑΠΟΒΛΗΤΩΝ ΠΛΗΡΟΥΝ ΤΟΥΣ ΙΣΧΥΟΝΤΕΣ ΤΟΠΙΚΟΥΣ, ΠΟΛΙΤΕΙΑΚΟΥΣ Η ΕΘΝΙΚΟΥΣ ΚΑΝΟΝΙΣΜΟΥΣ. ΜΗΝ ΑΠΟΡΡΙΠΤΕΤΕ ΝΕΡΟ ΟΠΟΥ ΜΠΟΡΕΙ ΝΑ ΠΡΟΚΑΛΕΣΕΙ ΥΠΕΡΧΕΙΛΙΣΗ Η ΒΛΑΒΗ.
- ΟΤΑΝ Η ΒΑΛΒΙΔΑ ΕΛΕΓΧΟΥ ΤΙΘΕΤΑΙ ΣΤΗ ΘΕΣΗ ΑΝΑΣΤΡΟΦΗ ΠΛΥΣΗ, ΕΚΠΛΥΣΗ Η ΠΑΡΟΧΕΤΕΥΣΗ, ΤΟ ΝΕΡΟ ΑΠΟΒΑΛΛΕΤΑΙ ΑΠΟ ΤΗ ΘΥΡΑ D ΣΤΗ ΒΑΛΒΙΔΑ ΕΛΕΓΧΟΥ.
- ΜΗΝ ΣΥΝΔΕΕΤΕ Η ΘΕΤΕΤΕ ΣΕ ΛΕΙΤΟΥΡΓΙΑ ΤΟ ΦΙΛΤΡΟ ΑΜΜΟΥ ΜΕ ΤΗ ΒΑΛΒΙΔΑ

ΕΛΕΓΧΟΥ ΣΤΗ ΛΕΙΤΟΥΡΓΙΑ ΚΛΕΙΣΙΜΟ ΓΙΑΤΙ ΜΠΟΡΕΙ ΝΑ ΠΡΟΚΛΗΘΕΙ ΣΟΒΑΡΗ ΒΛΑΒΗ ΤΟΥ ΦΙΛΤΡΟΥ ΑΜΜΟΥ.

- ΜΗΝ ΘΕΤΕΤΕ ΤΗ ΒΑΛΒΙΔΑ ΕΛΕΓΧΟΥ ΜΕΤΑΞΥ ΔΥΟ ΛΕΙΤΟΥΡΓΙΩΝ ΓΙΑΤΙ ΑΥΤΟ ΜΠΟΡΕΙ ΝΑ ΟΔΗΓΗΣΕΙ ΣΕ ΔΙΑΡΡΟΗ.
- ΓΙΑ ΑΠΟΦΥΓΗ ΔΙΑΡΡΟΗΣ ΝΕΡΟΥ, ΒΙΔΩΣΤΕ ΤΟ ΚΑΠΑΚΙ ΘΥΡΑΣ D ΣΤΗ ΘΥΡΑ ΒΑΛΒΙΔΑΣ ΕΛΕΓΧΟΥ D ΠΡΙΝ ΤΗ ΛΕΙΤΟΥΡΓΙΑ ΤΟΥ ΦΙΛΤΡΟΥ Ή ΤΗΣ ΛΕΙΤΟΥΡΓΙΑΣ ΚΥΚΛΟΦΟΡΙΑΣ.

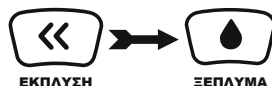
ΑΠΕΛΕΥΘΕΡΩΣΗ ΑΕΡΑ

ΠΙΕΣΤΕ ΚΑΤΩ ΤΗ ΛΑΒΗ ΤΗΣ ΒΑΛΒΙΔΑΣ ΕΛΕΓΧΟΥ ΚΑΙ ΠΕΡΙΜΕΝΕΤΕ ΜΕΧΡΙ ΝΑ ΤΡΕΞΕΙ ΝΕΡΟ ΑΠΟ ΤΗ ΘΥΡΑ D ΓΙΑ ΝΑ ΑΠΕΛΕΥΘΕΡΩΘΕΙ Ο ΑΕΡΑΣ.

ΣΗΜΕΙΩΣΗ: ΕΙΝΑΙ ΣΗΜΑΝΤΙΚΟ ΝΑ ΕΠΑΝΑΛΑΜΒΑΝΕΤΑΙ ΑΥΤΗ Η ΕΝΕΡΓΕΙΑ ΚΑΘΕ ΦΟΡΑ ΠΟΥ ΕΠΑΝΕΚΚΙΝΕΙΤΕ ΤΗΝ ΑΝΤΛΙΑ ΜΕΤΑ ΑΠΟ ΠΡΟΕΤΟΙΜΑΣΙΑ ΓΙΑ ΤΟ ΧΕΙΜΩΝΑ, ΜΕΤΑ ΑΠΟ ΣΥΝΤΗΡΗΣΗ ΚΑΙ ΕΚΠΛΥΣΗ ΤΗΣ ΚΛΙΝΗΣ ΑΜΜΟΥ.

ΟΔΗΓΙΕΣ ΧΡΗΣΗΣ ΓΙΑ ΤΗΝ ΠΡΩΤΗ ΦΟΡΑ

Η ΕΚΠΛΥΣΗ ΚΑΙ ΤΟ ΞΕΠΛΥΜΑ ΠΡΕΠΕΙ ΝΑ ΠΡΑΓΜΑΤΟΠΟΙΗΘΟΥΝ ΓΙΑ ΝΑ ΠΡΟΕΤΟΙΜΑΣΤΕΙ Η ΑΝΤΛΙΑ ΓΙΑ ΤΗΝ ΠΡΩΤΗ ΤΗΣ ΧΡΗΣΗ ΚΑΙ ΓΙΑ ΝΑ ΠΛΥΘΕΙ Η ΑΜΜΟΣ.



ΠΡΟΣΟΧΗ: ΜΗ ΛΕΙΤΟΥΡΓΕΙΤΕ ΤΟ ΦΙΛΤΡΟ ΑΜΜΟΥ ΧΩΡΙΣ ΥΓΡΟ

1. ΠΙΕΣΤΕ ΚΑΤΩ ΤΗ ΛΑΒΗ ΤΗΣ ΒΑΛΒΙΔΑΣ ΕΛΕΓΧΟΥ ΚΑΙ ΠΕΡΙΣΤΡΕΨΤΕ ΣΤΗ ΘΕΣΗ ΛΕΙΤΟΥΡΓΙΑΣ "ΕΚΠΛΥΣΗ".
2. ΣΥΝΔΕΣΤΕ ΚΑΙ ΛΕΙΤΟΥΡΓΗΣΤΕ ΤΟ ΦΙΛΤΡΟ ΑΜΜΟΥ ΓΙΑ 3-5 ΛΕΠΤΑ, Ή ΜΕΧΡΙ ΝΑ ΤΡΕΞΕΙ ΚΑΘΑΡΟ ΝΕΡΟ.
3. ΑΠΕΝΕΡΓΟΠΟΙΗΣΤΕ ΤΟ ΦΙΛΤΡΟ ΑΜΜΟΥ ΚΑΙ ΘΕΣΤΕ ΤΗ ΒΑΛΒΙΔΑ ΕΛΕΓΧΟΥ ΣΤΗ ΛΕΙΤΟΥΡΓΙΑ ΕΚΠΛΥΣΗΣ.
4. ΕΝΕΡΓΟΠΟΙΗΣΤΕ ΤΟ ΦΙΛΤΡΟ ΑΜΜΟΥ ΚΑΙ ΛΕΙΤΟΥΡΓΗΣΤΕ ΤΟ ΦΙΛΤΡΟ ΑΜΜΟΥ ΓΙΑ 1 ΛΕΠΤΟ. ΑΥΤΟ ΚΥΚΛΟΦΟΡΕΙ ΤΟ ΝΕΡΟ ΣΤΗΝ ΑΝΤΙΘΕΤΗ ΚΑΤΕΥΘΥΝΣΗ ΜΕΣΩ ΤΟΥ ΦΙΛΤΡΟΥ ΑΜΜΟΥ ΚΑΙ ΑΠΟΣΤΡΑΓΓΙΖΕΙ ΝΕΡΟ ΑΠΟ ΤΗ ΘΥΡΑ D.
5. ΑΠΕΝΕΡΓΟΠΟΙΗΣΤΕ ΤΟ ΦΙΛΤΡΟ ΑΜΜΟΥ. ΘΕΣΤΕ ΤΗ ΒΑΛΒΙΔΑ ΕΛΕΓΧΟΥ ΣΤΗ ΘΕΣΗ ΛΕΙΤΟΥΡΓΙΑΣ "ΚΛΕΙΣΤΗ".
6. ΣΥΜΠΛΗΡΩΣΤΕ ΤΟ ΝΕΡΟ ΤΗΣ ΠΙΣΙΝΑΣ, ΕΑΝ ΑΠΑΙΤΕΙΤΑΙ.

ΣΗΜΑΝΤΙΚΟ: Η ΔΙΑΔΙΚΑΣΙΑ ΑΥΤΗ ΑΦΑΙΡΕΙ ΝΕΡΟ ΑΠΟ ΤΗΝ ΠΙΣΙΝΑ, ΤΟ ΟΠΟΙΟ ΘΑ ΧΡΕΙΑΣΤΕΙ ΝΑ ΑΝΤΙΚΑΤΑΣΤΗΣΕΤΕ.

ΑΠΕΝΕΡΓΟΠΟΙΗΣΤΕ ΑΜΕΣΩΣ ΤΟ ΦΙΛΤΡΟ ΑΜΜΟΥ ΕΑΝ Η ΣΤΑΘΜΗ ΤΟΥ ΝΕΡΟΥ ΣΤΗΝ ΠΙΣΙΝΑ ΠΛΗΣΙΑΣΕΙ ΤΙΣ ΒΑΛΒΙΔΕΣ ΕΙΣΟΔΟΥ ΚΑΙ ΕΞΟΔΟΥ.

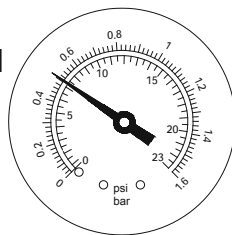
1. ΤΟ ΦΙΛΤΡΟ ΑΜΜΟΥ ΕΙΝΑΙ ΤΩΡΑ ΕΤΟΙΜΟ ΓΙΑ ΧΡΗΣΗ. ΘΕΣΤΕ ΤΗ ΒΑΛΒΙΔΑ ΕΛΕΓΧΟΥ ΣΤΗ ΛΕΙΤΟΥΡΓΙΑ ΦΙΛΤΡΑΡΙΣΜΑ.

ΣΗΜΕΙΩΣΗ: ΓΙΑ ΤΗΝ ΠΡΟΛΗΨΗ ΤΟΥ ΚΙΝΔΥΝΟΥ ΗΛΕΚΤΡΟΠΛΗΞΙΑΣ, ΣΚΟΥΠΙΣΤΕ ΤΥΧΟΝ ΠΕΡΙΣΣΕΙΑ ΝΕΡΟΥ ΑΠΟ ΕΞΑΣ ΚΑΙ ΤΟ ΦΙΛΤΡΟ ΑΜΜΟΥ.

ΣΗΜΑΝΤΙΚΟ: ΠΡΙΝ ΤΗ ΛΕΙΤΟΥΡΓΙΑ, ΒΕΒΑΙΩΘΕΙΤΕ ΟΤΙ Η ΔΕΞΑΜΕΝΗ ΕΙΝΑΙ ΣΤΑΘΕΡΑ ΤΟΠΟΘΕΤΗΜΕΝΗ ΣΤΗ ΒΑΣΗ ΤΗΣ ΚΑΙ ΣΩΣΤΑ ΣΥΝΔΕΔΕΜΕΝΗ ΜΕ ΤΗΝ ΑΝΤΛΙΑ.

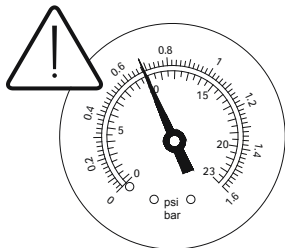
2. ΘΕΣΤΕ ΣΕ ΛΕΙΤΟΥΡΓΙΑ ΤΟ ΦΙΛΤΡΟ ΑΜΜΟΥ, ΕΝΕΡΓΟΠΟΙΩΝΤΑΣ ΤΟ.

ΣΗΜΕΙΩΣΗ: ΤΟ ΦΙΛΤΡΟ ΑΜΜΟΥ ΕΧΕΙ ΤΩΡΑ ΞΕΚΙΝΗΣΕΙ ΤΟΝ ΚΥΚΛΟ ΦΙΛΤΡΑΡΙΣΜΑΤΟΣ. ΕΛΕΓΤΕ ΟΤΙ ΤΟ ΝΕΡΟ ΕΠΙΣΤΡΕΦΕΙ ΣΤΗΝ ΠΙΣΙΝΑ ΚΑΙ ΣΗΜΕΙΩΣΤΕ ΤΗΝ ΠΙΕΣΗ ΤΟΥ ΦΙΛΤΡΟΥ ΣΤΟ ΜΑΝΟΜΕΤΡΟ. ΓΕΝΙΚΑ, Η ΣΥΝΙΣΤΩΜΕΝΗ ΠΙΕΣΗ ΦΙΛΤΡΟΥ ΑΜΜΟΥ ΕΙΝΑΙ ΜΙΚΡΟΤΕΡΗ ΑΠΟ 0.56Bar (8.0PSI) ΟΤΑΝ ΛΕΙΤΟΥΡΓΕΙ.



ΣΥΝΤΗΡΗΣΗ ΤΟΥ ΦΙΛΤΡΟΥ ΑΜΜΟΥ

ΠΡΟΣΟΧΗ: ΠΡΕΠΕΙ ΝΑ ΕΞΑΣΦΑΛΙΣΤΕ ΟΤΙ ΤΟ ΦΙΛΤΡΟ ΑΜΜΟΥ ΕΙΝΑΙ ΑΠΕΝΕΡΓΟΠΟΙΗΜΕΝΟ ΚΑΙ ΑΠΟΣΥΝΔΕΔΕΜΕΝΟ ΑΠΟ ΤΗΝ ΗΛΕΚΤΡΙΚΗ ΠΑΡΟΧΗ ΠΡΙΝ ΞΕΚΙΝΗΣΕΤΕ ΟΠΟΙΑΔΗΠΟΤΕ ΣΥΝΤΗΡΗΣΗ ΔΙΑΦΟΡΕΤΙΚΑ ΥΠΑΡΧΕΙ ΣΟΒΑΡΟΣ ΚΙΝΔΥΝΟΣ ΤΡΑΥΜΑΤΙΣΜΟΥ Ή ΘΑΝΑΤΟΥ. ΚΑΘΩΣ ΣΥΣΣΩΡΕΥΕΤΑΙ ΒΡΩΜΙΑ ΣΤΟ ΦΙΛΤΡΟ ΑΜΜΟΥ, Η ΕΝΔΕΙΞΗ ΠΙΕΣΗΣ ΣΤΟ ΜΑΝΟΜΕΤΡΟ ΘΑ ΑΥΞΑΝΕΤΑΙ. ΟΤΑΝ ΤΟ ΜΑΝΟΜΕΤΡΟ ΕΜΦΑΝΙΖΕΙ 0,62 BAR (9,0 PSI) Ή ΥΨΗΛΟΤΕΡΗ ΕΝΔΕΙΞΗ, Ή Η ΠΑΡΟΧΗ ΝΕΡΟΥ ΣΤΗΝ ΠΙΣΙΝΑ ΕΙΝΑΙ ΠΟΛΥ ΧΑΜΗΛΗ, ΧΡΕΙΑΖΕΤΑΙ ΝΑ ΚΑΘΑΡΙΣΤΕ ΤΗΝ ΑΜΜΟ. ΓΙΑ ΝΑ ΚΑΘΑΡΙΣΤΕ ΤΗΝ ΚΛΙΝΗ ΑΜΜΟΥ, ΑΚΟΛΟΥΘΗΣΤΕ ΟΛΕΣ ΤΙΣ ΟΔΗΓΙΕΣ ΠΟΥ ΠΕΡΙΓΡΑΦΗΚΑΝ ΠΡΟΗΓΟΥΜΕΝΑ ΣΤΗΝ: **ΕΚΠΛΥΣΗ ΚΑΙ ΞΕΠΛΥΜΑ.**



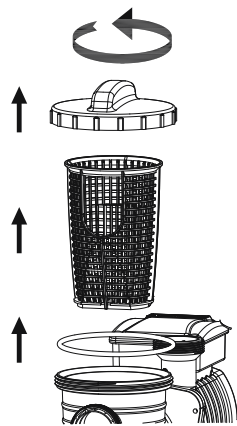
ΣΗΜΕΙΩΣΗ:

1. ΤΟ ΜΑΝΟΜΕΤΡΟ ΕΙΝΑΙ ΜΟΝΟ ΓΙΑ ΣΚΟΠΟΥΣ ΣΥΝΤΗΡΗΣΗΣ, ΚΑΙ Η ΤΙΜΗ ΤΟΥ ΜΑΝΟΜΕΤΡΟΥ ΕΙΝΑΙ ΜΟΝΟ ΓΙΑ ΑΝΑΦΟΡΑ, ΔΕΝ ΠΡΕΠΕΙ ΝΑ ΧΡΗΣΙΜΟΠΟΙΕΙΤΑΙ ΩΣ ΕΝΑ ΟΡΓΑΝΟ ΑΚΡΙΒΕΙΑΣ.
2. ΣΥΝΙΣΤΑΤΑΙ ΝΑ ΚΑΘΑΡΙΖΕΤΕ ΤΗΝ ΚΛΙΝΗ ΑΜΜΟΥ ΜΙΑ ΦΟΡΑ ΤΟ ΜΗΝΑ Η ΛΙΓΟΤΕΡΟ ΤΑΚΤΙΚΑ ΑΝΑΛΟΓΑ ΜΕ ΤΟ ΠΟΣΟ ΣΥΧΝΑ ΧΡΗΣΙΜΟΠΟΙΕΙΤΕ ΤΗΝ ΠΙΣΙΝΑ. ΜΗΝ ΚΑΘΑΡΙΖΕΤΕ ΤΗΝ ΑΜΜΟ ΥΠΕΡΒΟΛΙΚΑ ΣΥΧΝΑ.

ΚΑΘΑΡΙΣΜΟΣ ΤΟΥ ΣΤΡΑΓΓΙΣΤΗΡΙΟΥ

1. ΑΠΟΣΥΝΔΕΣΤΕ ΤΗΝ ΑΝΤΛΙΑ ΦΙΛΤΡΟΥ ΚΑΙ ΘΕΣΤΕ ΤΗ ΒΑΛΒΙΔΑ ΕΛΕΓΧΟΥ ΣΤΗ ΛΕΙΤΟΥΡΓΙΑ “ΚΛΕΙΣΙΜΟ”.
2. ΑΝΤΙΚΑΤΑΣΤΗΣΤΕ ΤΙΣ ΣΗΤΕΣ ΥΠΟΛΕΙΜΜΑΤΩΝ ΜΕ ΤΑΠΕΣ ΑΠΟΦΡΑΞΗΣ ΓΙΑ ΝΑ ΕΜΠΟΔΙΣΤΕ ΤΗ ΔΙΑΦΥΓΗ ΤΟΥ ΝΕΡΟΥ.
3. ΑΦΑΙΡΕΣΤΕ ΤΟ ΚΑΛΥΜΜΑ ΣΤΡΑΓΓΙΣΤΗΡΙΟΥ ΞΕΒΙΔΩΝΟΝΤΑΣ ΤΟ.
4. ΑΦΑΙΡΕΣΤΕ ΤΟ ΣΤΡΑΓΓΙΣΤΗΡΙ ΚΑΙ ΒΓΑΛΤΕ ΤΥΧΟΝ ΑΠΟΡΡΙΜΑΤΑ.
5. ΞΑΝΑΒΑΛΤΕ ΤΟ ΣΤΡΑΓΓΙΣΤΗΡΙ ΣΤΗ ΘΕΣΗ ΤΟΥ. ΒΕΒΑΙΩΘΕΙΤΕ ΟΤΙ Η ΟΠΗ ΣΤΟ ΣΤΡΑΓΓΙΣΤΗΡΙ ΕΙΝΑΙ ΕΥΘΥΓΡΑΜΜΙΣΜΕΝΗ.
6. ΒΕΒΑΙΩΘΕΙΤΕ ΟΤΙ Ο ΣΤΕΓΑΝΩΤΙΚΟΣ ΔΑΚΤΥΛΙΟΣ ΕΙΝΑΙ ΣΤΗ ΘΕΣΗ ΤΟΥ. ΕΠΑΝΑΒΙΔΩΣΤΕ ΤΟ ΚΑΛΥΜΜΑ ΣΤΡΑΓΓΙΣΤΗΡΙΟΥ.
7. ΑΦΑΙΡΕΣΤΕ ΤΙΣ ΤΑΠΕΣ ΑΠΟΦΡΑΞΗΣ ΚΑΙ ΕΙΣΑΓΕΤΕ ΤΙΣ ΣΗΤΕΣ ΥΠΟΛΕΙΜΜΑΤΩΝ

ΣΗΜΕΙΩΣΗ: ΤΟ ΣΤΡΑΓΓΙΣΤΗΡΙ ΠΡΕΠΕΙ ΝΑ ΑΔΕΙΑΖΕΙ ΚΑΙ ΝΑ ΚΑΘΑΡΙΖΕΤΑΙ ΠΕΡΙΟΔΙΚΑ. ΕΝΑ ΛΕΡΩΜΕΝΟ Ή ΑΠΟΦΡΑΓΜΕΝΟ ΣΤΡΑΓΓΙΣΤΗΡΙ ΘΑ ΕΛΑΤΤΩΣΕΙ ΤΗΝ ΑΠΟΔΟΣΗ ΤΟΥ ΦΙΛΤΡΟΥ ΑΜΜΟΥ.



ΜΕΙΩΣΗ Ή ΑΠΟΣΤΡΑΓΓΙΣΗ ΤΟΥ ΝΕΡΟΥ ΤΗΣ ΠΙΣΙΝΑΣ

1. ΑΠΕΝΕΡΓΟΠΟΙΗΣΤΕ ΤΟ ΦΙΛΤΡΟ ΑΜΜΟΥ ΚΑΙ ΘΕΣΤΕ ΤΗ ΒΑΛΒΙΔΑ ΕΛΕΓΧΟΥ ΣΤΗ ΛΕΙΤΟΥΡΓΙΑ ΑΠΟΣΤΡΑΓΓΙΣΗΣ.
2. ΑΠΟΣΥΝΔΕΣΤΕ ΤΟΝ ΕΥΚΑΜΠΤΟ ΣΩΛΗΝΑ ΑΠΟ ΤΗ ΘΥΡΑ Α ΤΗΣ ΠΙΣΙΝΑΣ ΚΑΙ ΤΗ ΘΥΡΑ Α ΤΟΥ ΦΙΛΤΡΟΥ ΑΜΜΟΥ ΚΑΙ ΣΥΝΔΕΣΤΕ ΣΤΗ ΘΥΡΑ D.
3. ΕΝΕΡΓΟΠΟΙΗΣΤΕ ΤΟ ΦΙΛΤΡΟ ΑΜΜΟΥ ΓΙΑ ΝΑ ΛΕΙΤΟΥΡΓΗΣΕΤΕ ΤΟ ΦΙΛΤΡΟ ΚΑΙ ΝΑ ΑΦΑΙΡΕΣΕΤΕ ΤΟ ΝΕΡΟ ΤΗΣ ΠΙΣΙΝΑΣ.

ΠΡΟΕΙΔΟΠΟΙΗΣΗ: ΜΗ ΛΕΙΤΟΥΡΓΕΙΤΕ ΤΟ ΦΙΛΤΡΟ ΑΜΜΟΥ ΧΩΡΙΣ ΥΓΡΟ. ΠΡΟΕΤΟΙΜΑΣΙΑ ΓΙΑ ΤΟ ΧΕΙΜΩΝΑ ΚΑΙ ΜΑΚΡΟΧΡΟΝΙΑ ΑΠΟΘΗΚΕΥΣΗ

ΣΕ ΠΕΡΙΟΧΕΣ ΠΟΥ ΤΟ ΧΕΙΜΩΝΑ ΕΧΟΥΝ ΘΕΡΜΟΚΡΑΣΙΕΣ ΚΑΤΩ ΑΠΟ ΤΟ ΜΗΔΕΝ, Ο ΕΞΟΠΛΙΣΜΟΣ ΤΗΣ ΠΙΣΙΝΑΣ ΠΡΕΠΕΙ ΝΑ ΠΡΟΕΤΟΙΜΑΣΤΕΙ ΓΙΑ ΤΟ ΧΕΙΜΩΝΑ ΓΙΑ ΝΑ ΠΡΟΣΤΑΤΕΥΘΕΙ ΑΠΟ ΖΗΜΙΑ.

ΕΠΙΤΡΕΠΟΝΤΑΣ ΣΤΟ ΝΕΡΟ ΝΑ ΠΑΓΩΣΕΙ ΘΑ ΠΡΟΚΛΗΘΕΙ ΒΛΑΒΗ ΣΤΟ ΦΙΛΤΡΟ ΑΜΜΟΥ ΚΑΙ ΘΑ ΑΚΥΡΩΘΕΙ Η ΕΓΓΥΗΣΗ.

1. ΕΚΠΛΥΝΕΤΕ ΤΟ ΦΙΛΤΡΟ ΑΜΜΟΥ.
2. ΠΑΡΟΧΕΤΕΥΣΤΕ ΤΗΝ ΠΙΣΙΝΑ ΣΥΜΦΩΝΑ ΜΕ ΤΟ ΕΓΧΕΙΡΙΔΙΟ ΙΔΙΟΚΤΗΤΗ ΤΗΣ ΠΙΣΙΝΑΣ.
3. ΞΕΒΙΔΩΣΤΕ Ο ΚΑΠΑΚΙ ΤΗΣ ΒΑΛΒΙΔΑΣ ΑΠΟΣΤΡΑΓΓΙΣΗΣ ΣΤΟ ΚΑΤΩ ΜΕΡΟΣ ΤΗΣ ΔΕΞΑΜΕΝΗΣ ΚΑΙ ΑΠΕΛΕΥΘΕΡΩΣΤΕ ΤΟ ΥΠΟΛΟΙΠΟ ΝΕΡΟ.
4. ΑΠΟΣΥΝΔΕΣΤΕ ΤΟΥΣ ΔΥΟ ΣΩΛΗΝΕΣ ΑΠΟ ΤΗΝ ΠΙΣΙΝΑ ΚΑΙ ΤΟ ΦΙΛΤΡΟ ΑΜΜΟΥ.
5. ΧΥΣΤΕ ΕΝΤΕΛΩΣ ΤΗΝ ΑΜΜΟ ΕΞΩ ΑΠΟ ΤΟ ΔΟΧΕΙΟ ΚΑΙ ΣΤΕΓΝΩΣΤΕ ΟΛΑ ΤΑ ΜΕΡΗ.
6. ΦΥΛΑΞΤΕ ΤΟ ΦΙΛΤΡΟ ΑΜΜΟΥ ΣΕ ΞΗΡΟ ΧΩΡΟ, ΜΑΚΡΙΑ ΑΠΟ ΠΑΙΔΙΑ.

ΑΝΤΙΜΕΤΩΠΙΣΗ ΠΡΟΒΛΗΜΑΤΩΝ

ΠΡΟΒΛΗΜΑΤΑ	ΠΙΘΑΝΑ ΑΙΤΙΑ	ΛΥΣΕΙΣ
ΑΜΜΟΣ ΠΕΡΝΑΕΙ ΣΤΗΝ ΠΙΣΙΝΑ	<ul style="list-style-type: none">- Η ΑΜΜΟΣ ΕΙΝΑΙ ΠΟΛΥ ΨΙΛΗ- ΜΕΤΑΤΟΠΙΣΤΕ ΤΗΝ ΒΑΛΒΙΔΑ ΕΛΕΓΧΟΥ ΑΠΟ ΤΗ ΛΕΙΤΟΥΡΓΙΑ ΑΝΤΙΣΤΡΟΦΗΣ ΠΛΥΣΗΣ ΠΡΟΣ ΤΗ ΛΕΙΤΟΥΡΓΙΑ ΦΙΛΤΡΟΥ ΧΩΡΙΣ ΝΑ ΣΤΑΜΑΤΗΣΕΤΕ ΤΟ ΦΙΛΤΡΟ ΑΜΜΟΥ- Η ΣΤΑΘΜΗ ΤΗΣ ΑΜΜΟΥ ΕΙΝΑΙ ΠΟΛΥ ΥΦΗΛΗ- Η ΔΙΑΤΑΞΗ ΞΑΦΡΙΣΜΑΤΙΟΣ ΕΧΕΙ ΒΛΑΒΗ	<ul style="list-style-type: none">- ΣΥΝΙΣΤΑΤΑΙ ΑΜΜΟΣ ΠΥΡΙΤΙΟΥ 0,45ΜΜ ΕΩΣ 0,85ΜΜ ΝΟ. 20- ΣΤΑΜΑΤΗΣΤΕ ΤΟ ΦΙΛΤΡΟ ΑΜΜΟΥ ΚΑΘΕ ΦΟΡΑ ΠΟΥ ΡΥΘΜΙΣΤΕ ΤΗ ΒΑΛΒΙΔΑ ΕΛΕΓΧΟΥ- ΕΛΕΓΞΤΕ ΕΑΝ Η ΣΤΑΘΜΗ ΤΗΣ ΑΜΜΟΥ ΒΡΙΣΚΕΤΑΙ ΑΝΑΜΕΣΑ ΣΤΙΣ ΕΝΔΕΙΞΕΙΣ "ΜΑΧ" ΚΑΙ "ΜΙΝ" ΣΤΗΝ ΠΛΗΜΝΗ- ΑΝΤΙΚΑΤΑΣΤΗΣΤΕ ΤΗ ΔΙΑΤΑΞΗ ΞΑΦΡΙΣΜΑΤΟΣ
ΔΕΝ ΥΠΑΡΧΕΙ ΡΟΗ ΝΕΡΟΥ	<ul style="list-style-type: none">- ΟΙ ΤΑΠΕΣ ΔΕΝ ΕΧΟΥΝ ΑΠΟΜΑΚΡΥΝΘΕΙ- Ο ΑΕΡΑΣ ΔΕΝ ΑΦΑΙΡΕΘΗΚΕ- Η ΒΑΛΒΙΔΑ ΕΛΕΓΧΟΥ ΠΑΡΑΜΕΝΕΙ ΣΤΗ ΘΕΣΗ "ΚΛΕΙΣΤΟ"- Ο ΔΙΗΘΗΤΗΡΑΣ ΕΧΕΙ ΒΟΥΛΩΣΕΙ- ΤΟ ΦΙΛΤΡΟ ΤΗΣ ΑΜΜΟΥ ΕΧΕΙ ΒΛΑΒΗ	<ul style="list-style-type: none">- ΑΦΑΙΡΕΣΤΕ ΤΙΣ ΤΑΠΕΣ ΚΑΙ ΕΙΣΑΓΕΤΕ ΤΑ ΚΟΣΚΙΝΑ ΑΚΑΘΑΡΤΩΝ- ΑΦΑΙΡΕΣΤΕ ΤΟΝ ΑΕΡΑ- ΡΥΘΜΙΣΤΕ ΣΕ ΛΕΙΤΟΥΡΓΙΑ ΦΙΛΤΡΟΥ- ΚΑΘΑΡΙΣΤΕ ΤΟ ΔΙΗΘΗΤΗΡΑ- ΚΑΛΕΣΤΕ ΤΟ ΣΕΡΒΙΣ
ΥΠΕΡΒΟΛΙΚΗ ΠΙΕΣΗ ΣΤΟ ΦΙΛΤΡΟ	<ul style="list-style-type: none">- ΑΚΑΘΑΡΤΟ ΦΙΛΤΡΟ- ΑΣΒΕΣΤΟΠΟΙΗΜΕΝΟ ΣΤΡΩΜΑ ΑΜΜΟΥ- ΑΝΕΠΑΡΚΗΣ ΑΝΤΙΣΤΡΟΦΗ ΠΛΥΣΗ- ΤΟ ΜΑΝΟΜΕΤΡΟ ΕΧΕΙ ΧΑΛΑΣΕΙ	<ul style="list-style-type: none">- ΑΝΤΙΣΤΡΟΦΗ ΠΛΥΣΗ- ΕΠΙΘΕΩΡΗΣΤΕ ΤΗΝ ΑΜΜΟ ΚΑΙ ΑΛΛΑΞΤΕ ΤΗΝ ΕΑΝ ΕΙΝΑΙ ΑΠΑΡΑΙΤΗΤΟ- ΣΥΝΕΧΙΣΤΕ ΤΗΝ ΑΝΤΙΣΤΡΟΦΗ ΠΛΥΣΗ ΜΕΧΡΙ ΤΑ ΑΠΟΝΕΡΑ ΝΑ ΒΓΑΙΝΟΥΝ ΚΑΘΑΡΑ- ΑΝΤΙΚΑΤΑΣΤΗΣΤΕ ΤΟ ΜΑΝΟΜΕΤΡΟ
ΥΠΑΡΧΕΙ ΔΙΑΡΡΟΗ ΤΗΣ ΒΑΛΒΙΔΑΣ ΕΛΕΓΧΟΥ ΣΤΗ ΘΥΡΑ D	<ul style="list-style-type: none">- Η ΒΑΛΒΙΔΑ ΕΛΕΓΧΟΥ ΕΙΧΕ ΡΥΘΜΙΣΤΕΙ ΑΝΑΜΕΣΑ ΣΕ ΔΥΟ ΛΕΙΤΟΥΡΓΙΕΣ- Η ΤΣΙΜΟΥΧΑ ΕΧΕΙ ΒΛΑΒΗ	<ul style="list-style-type: none">- ΡΥΘΜΙΣΤΕ ΣΕ ΜΙΑ ΛΕΙΤΟΥΡΓΙΑ- ΑΝΤΙΚΑΤΑΣΤΗΣΤΕ ΤΗΝ ΤΣΙΜΟΥΧΑ
ΟΙ ΣΥΝΔΕΣΜΟΙ ΕΧΟΥΝ ΔΙΑΡΡΟΗ	<ul style="list-style-type: none">- Η ΡΟΔΕΛΑ ΤΩΝ ΣΥΝΔΕΣΜΩΝ ΔΕΝ ΕΙΝΑΙ ΣΤΗ ΘΕΣΗ ΤΗΣ- Η ΡΟΔΕΛΑ ΤΩΝ ΣΥΝΔΕΣΜΩΝ ΕΧΕΙ ΒΛΑΒΗ- ΧΑΛΑΡΟΙ ΕΥΚΑΜΠΤΟΙ ΣΩΛΗΝΕΣ	<ul style="list-style-type: none">- ΤΟΠΟΘΕΤΗΣΤΕ ΕΚ ΝΕΟΥ ΤΗ ΡΟΔΕΛΑ- ΑΝΤΙΚΑΤΑΣΤΗΣΤΕ ΤΗ ΡΟΔΕΛΑ- ΣΦΙΣΤΕ ΤΑ

ПЕСОЧНЫЙ ФИЛЬТР РУКОВОДСТВО ПОЛЬЗОВАТЕЛЯ

Посетите канал Bestway на YouTube 

ПРАВИЛА ТЕХНИКИ БЕЗОПАСНОСТИ

ВНИМАНИЕ

ВАЖНЫЕ ПРАВИЛА ТЕХНИКИ БЕЗОПАСНОСТИ ПРОЧИТИТЕ И ВЫПОЛНЯЙТЕ ВСЕ ПРАВИЛА ТЕХНИКИ БЕЗОПАСНОСТИ.

При установке и использовании данного электрического оборудования, следует всегда выполнять основные правила техники безопасности, среди которых:

- Питание насоса должно осуществляться через изолирующий трансформатор или устройство защитного отключения (УЗО) с номинальным остаточным током срабатывания, не превышающим 30 мА.
- Источник питания на стене здания должен быть расположен на расстоянии более 4 м от бассейна.
- Устройство должно быть оснащено заземленным источником питания.
- **РИСК УДАРА ЭЛЕКТРИЧЕСКИМ ТОКОМ** - Запрещается пользоваться насосом, когда люди находятся в бассейне. В случае поломки песчаного фильтра не допускайте людей в бассейн.
- **НЕ ЗАКАПЫВАЙТЕ СЕТЕВОЙ ШНУР В ЗЕМЛЮ.** Располагайте сетевой шнур так, чтобы максимально избежать риска его повреждения газонокосилками, подравнителями изгородей и другими подобными инструментами.
- Для уменьшения риска получения удара электрическим током немедленно заменяйте поврежденный сетевой шнур.
- Если поврежден провод питания, во избежание опасности его необходимо заменить, сделать это могут: производитель, сервис техобслуживания или электрик, имеющий достаточную квалификацию.
- Удлинитель использовать запрещено.
- Опасность удара электрическим током! Использование песчаного фильтра при неправильном напряжении опасно и приводит к его повреждению.
- Не удаляйте заземляющий контакт и не изменяйте штекер любым способом. Не пользуйтесь штекерами-переходниками. Проконсультируйтесь с квалифицированным электриком по любым вопросам, касающимся штекеров и заземления ваших устройств.



- Обращайтесь с песчаным фильтром осторожно. Не тяните или не переносите песчаный фильтр за сетевой шнур. Никогда не выдергивайте штекер из розетки за провод. Оберегайте шнур от потертостей. Острые предметы, масло, движущиеся части и тепло не должны воздействовать на песчаный фильтр.
 - Всегда отключайте изделие из розетки перед тем, как убрать, почистить, произвести техобслуживание или отрегулировать изделие.
 - Не подсоединяйте и не отсоединяйте устройство от сети питания влажными руками.
 - Обязательно отсоединяйте устройство от сети питания:
 - В дождливые дни;
 - Перед чисткой или другим обслуживанием;
 - Если вы оставляете его без присмотра на долгое время (например, уезжая на праздники).
 - Если изделие не будет использоваться в течение долгого времени, например, зимой, разберите его и храните в закрытом помещении.
 - **ОСТОРОЖНО!** Прочитайте инструкции перед использованием изделия, а также перед каждой установкой и сборкой.
 - Храните эту инструкцию в надежном месте. Сверяйтесь с ней каждый раз, разбирая бассейн.
 - В случае утери инструкции обратитесь в компанию Bestway или на веб-сайт: www.bestwaycorp.com
 - Электрические подключения должны соответствовать национальным нормам ведения электромонтажных работ. При возникновении любых вопросов обращайтесь к квалифицированному электрику.
- ОСТОРОЖНО:** Этот песчаный фильтр предназначен для использования только со складными бассейнами. Не используйте его в стационарных бассейнах. Складной бассейн – бассейн, изготовленный таким образом, что его можно быстро разобрать для хранения и снова собрать для использования. Стационарный бассейн – бассейн, построенный в земле или на земле, или же в здании, таким образом, он не может быть быстро разобран для хранения.
- Данное изделие может использоваться детьми в возрасте 8 лет и старше, а также лицами с ограниченными физическими, сенсорными и умственными возможностями либо лицами без соответствующих навыков и опыта, если они находятся под присмотром или проинструктированы на предмет безопасного использования изделия и осознают связанные с этим опасности. Детям запрещается играть с изделием. Чистку и пользовательское обслуживание запрещено выполнять детям без присмотра. (Для рынка ЕС)
 - Данное изделие не предназначено для использования лицами (включая

- детей) с ограниченными физическими, сенсорными и умственными возможностями, а также лицами без соответствующего опыта и знаний, если они не находятся под присмотром или не проинструктированы о порядке пользования изделием лицом, ответственным за их безопасность. Следует наблюдать за детьми, чтобы они не игрались с изделием. (Для рынков вне ЕС)
- Чистку и пользовательское обслуживание должны выполнять взрослые старше 18 лет, осведомленные об опасности поражения электрическим током.

ПРИМЕЧАНИЕ:

- Поместите песчаный фильтр на прочную и ровную поверхность. Убедитесь в том, что песчаный фильтр располагается не ближе 2м от бассейна. Это расстояние должно быть как можно больше.
- Обратите внимание на положение бассейна и песчаного фильтра, должны иметься нормальные условия для вентиляции, слива воды и доступа для техобслуживания. Никогда не размещайте песчаный фильтр там, где может скапливаться вода, или на дорожке вокруг бассейна.
- После установки бассейна должен быть обеспечен доступ к штекеру. Штекер песчаного фильтра должен располагаться не ближе 3,5метров от бассейна.
- Атмосферные условия могут повлиять на работу и срок службы песчаного фильтра; примите надлежащие предосторожности для того, чтобы защитить песчаный фильтр от ненужного износа, который может произойти из-за холодной или жаркой погоды и под воздействием прямых солнечных лучей.
- Перед использованием песчаного фильтра осмотрите его и убедитесь в том, что все детали на месте. Сообщайте фирме Бестуэй (Bestway) по адресу обслуживания клиентов, указанному в этом руководстве, обо всех поврежденных или отсутствующих во время покупки деталях.
- Все изношенные детали должны быть заменены как можно скорее. Используйте только детали, поставляемые производителем.
- Не разрешайте ни детям, ни взрослым опираться или сидеть на изделии.
- Не добавляйте химикаты в песчаный фильтр.
- При использовании для очистки воды в бассейне химикатов рекомендуется использовать минимальное время фильтрации для безопасности купающихся в соответствии с нормативами.
- Установленное изделие следует использовать только для сред, предусмотренных или указанных производителем.
- Необходимо проверить, чтобы всасывающие отверстия не были заблокированы.
- Во время проведения работ по техническому обслуживанию системы фильтрации рекомендуется прекратить фильтрацию.
- Регулярно проверяйте степень засорения фильтра.

- Рекомендуется еженедельно проверять обратную промывку или чистоту воды. Для обеспечения чистой воды в бассейне рекомендуется ежедневно фильтровать воду в течение 8 часов.
- Необходимо как можно скорее заменять любой поврежденный элемент или набор элементов. Используйте только детали, разрешенные к применению лицами, ответственными за реализацию изделия на рынке.
- Все фильтры и фильтрующие материалы следует регулярно проверять для предотвращения образования отложений, препятствующих нормальной фильтрации. Утилизация использованных фильтрующих материалов должна также соответствовать действующим нормам/требованиям законодательства.
- Соблюдайте все требования и рекомендации по технике безопасности, содержащиеся в руководстве. В случае сомнений по вопросам эксплуатации насоса или циркуляционных установок, обратитесь к квалифицированному мастеру или производителю/импортеру/дистрибьютору. Установка циркуляции воды должна соответствовать европейским, национальным и местным нормам и правилам, особенно в части электрооборудования. Любые изменения положения клапана, размера насоса, размера сетки могут привести к изменению расхода воды, а также скорости всасывания.
- Это изделие не предназначено для коммерческого применения.

Внимательно изучите инструкции и сохраните их для дальнейшего использования в справочных целях.

СОХРАНИТЕ ЭТИ ИНСТРУКЦИИ

УТИЛИЗАЦИЯ



Что означает перечеркнутый мусорный контейнер:

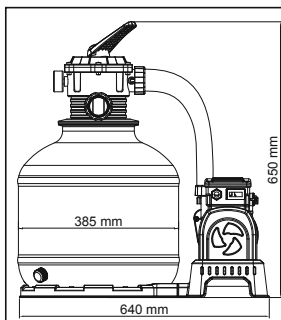
■ Не выбрасывайте электроприборы вместе с другим нерассортированным бытовым мусором, используйте для этого отдельные специальные контейнеры или способы сбора.

Информацию, касающуюся возможностей сбора такого мусора, можно получить в местном самоуправлении.

Если электроприборы выбрасываются прямо на свалки или полигоны, опасные вещества могут просочиться в грунтовые воды и попасть в круговорот веществ, участвующих в пищевой цепи, тем самым причинить вред вашему здоровью и благосостоянию.

Продавец по закону обязан бесплатно принять обратно ваш старый электроприбор для утилизации при замене старых электроприборов на новые.

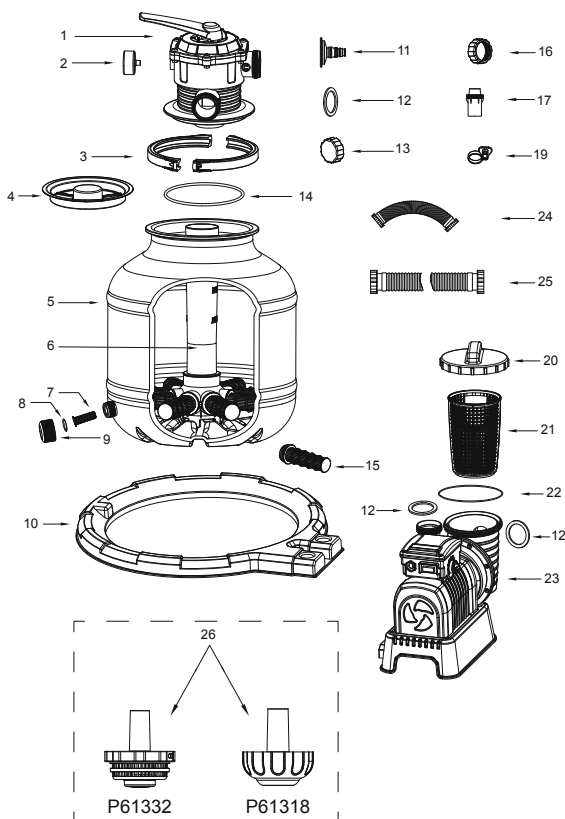
СПЕЦИФИКАЦИЯ



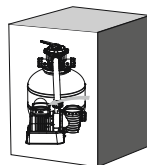
Диаметр фильтра:	385 mm
Рабочая площадь фильтра:	0.11 m ² (1.18 ft ²)
Макс. Рабочее давление:	1.59 Bar (23 PSI)
Рабочее давление песчаного фильтра:	<0.55 Bar (8 PSI)
Макс. температура воды:	35°C
Песок:	Не входит в комплект поставки
Фракция песка:	Кварцевый песок №20, 0,45-0,85 мм
Количество песка:	Приблизительно 36 кг

ОБЗОР КОМПЛЕКТА ЧАСТЕЙ

Перед сборкой песчаного фильтра, потратьте несколько минут на то, чтобы изучить все детали.



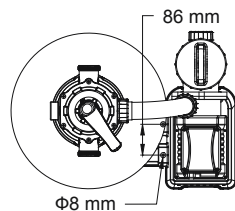
A



№	ЗАПЧАСТЬ №	A
1	P03831	1
2	P61138ASS16	1
3	P03832	2
4	P61209ASS16	1
5	P03843	1
6	P03844	1
7	P61211ASS16	1
8	P6581ASS16	1
9	P6580ASS16	1
10	P03845	1
11	P6614ASS16	1
12	P6029ASS16	5
13	P03830	1
14	P61214ASS16	1
15	P61210ASS16	8
16	P03829	1
17	P6916ASS16	2
19	P6124ASS16	2
20	P6561ASS16	1
21	P6562ASS16	1
22	P6563ASS16	1
23	P03814(EU)/P03816(GB)	1
24	P03849	1
25	P6518ASS16	2
26	P61322ASS16	1
	P61318ASS16	1

Сборка (Вам понадобится отвертка.)

1. Аккуратно достаньте все детали из упаковки и проверьте все ли цело. Если какие то детали повреждены, немедленно поставьте об этом в известность продавца, у которого была сделана покупка.
2. Песчаный фильтр следует поместить на прочном, ровном основании, лучше всего на бетонном блоке. Расположите песчаный фильтр таким образом, чтобы патрубки и управляющий клапан были легко доступны для работы и обслуживания.
3. Стандарт «EN60335-2-41 TEST» требует вертикальной установки песчаного фильтра на земле или на основании из дерева или бетона перед началом использования во избежание его случайного падения. Вес песчаного фильтра в сборе превышает 18 кг. Отверстия для крепления должны иметь диаметр 8 мм и располагаться на расстоянии 86мм друг от друга. Для крепления песчаного фильтра к основанию используйте два болта с гайками диаметром до 8мм.



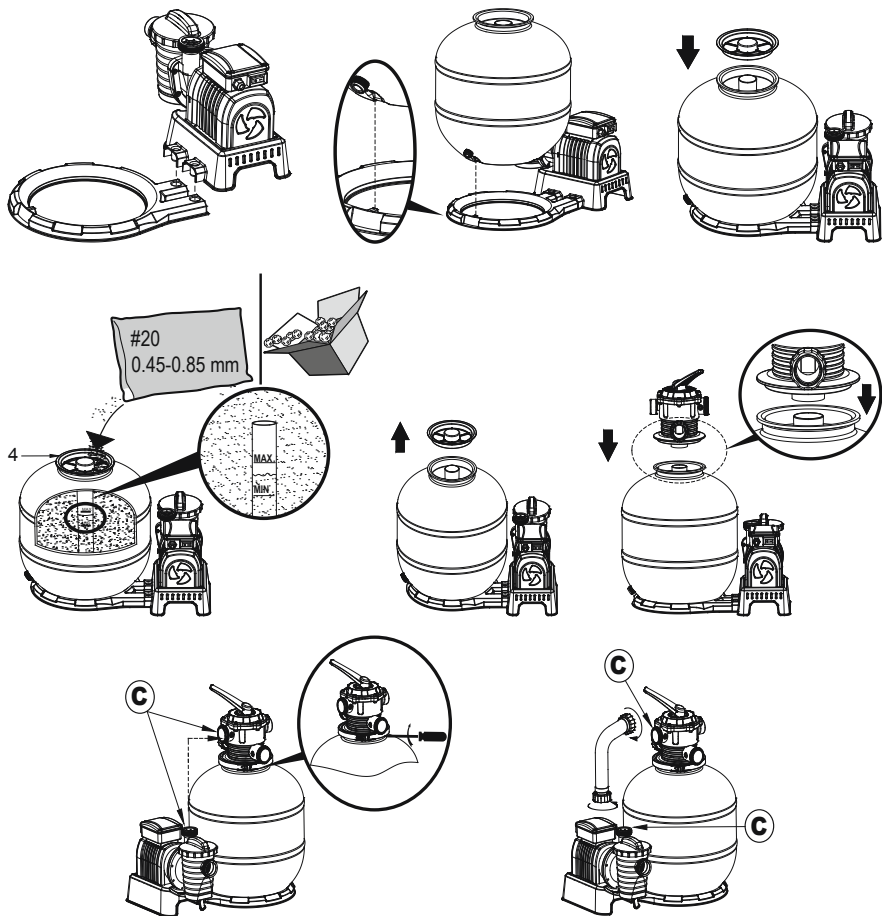
Загрузите песок, предназначенный специально для бассейнов, или Flowclear™ Polysphere.

ПРИМЕЧАНИЕ: Используйте песок особого качества для бассейнов, без присутствия извести или глины: кварцевый песок №36, фракции 0,45-0,85мм, одного мешка на 20кг должно хватить. Если вы не будете использовать рекомендованное количество фильтровального песка, фильтрующая способность снизится, а песочный фильтр может выйти из строя, что повлечет за собой аннулирование гарантии.

ПРИМЕЧАНИЕ: Чтобы не повредить скимер во время добавления песка, налейте немного воды в нижнюю часть корпуса, чтобы скимер на соединительном патрубке был под водой.

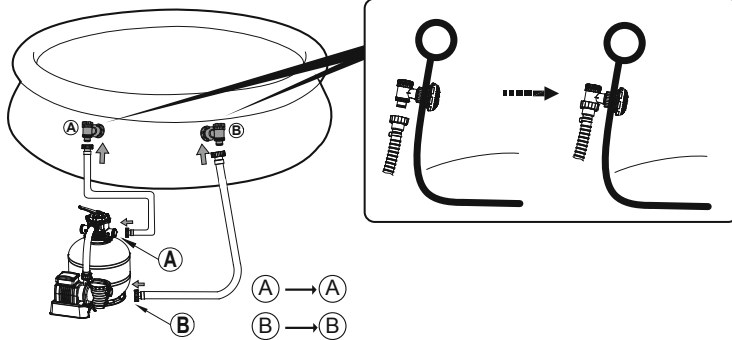
ПРИМЕЧАНИЕ: Песок или Flowclear™ Polysphere в комплект поставки не входят.

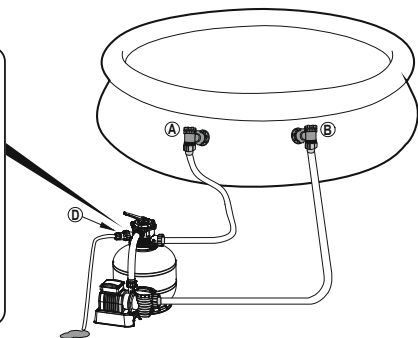
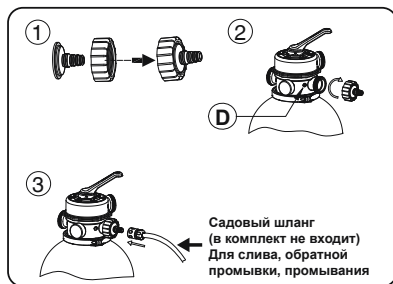
ПРИМЕЧАНИЕ: 28 г (0,06 фунта) Flowclear™ Polysphere заменяют 1 кг (2,20 фунта) песка.



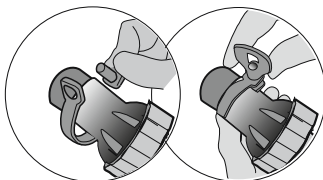
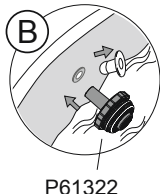
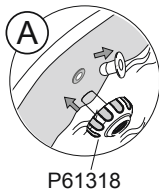
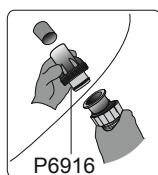
Подсоединение к бассейну

1



2

Для бассейна с клапаном на 32 мм (1,25 дюйма)



СТОП

Перед включением внимательно прочитайте руководство пользователя.

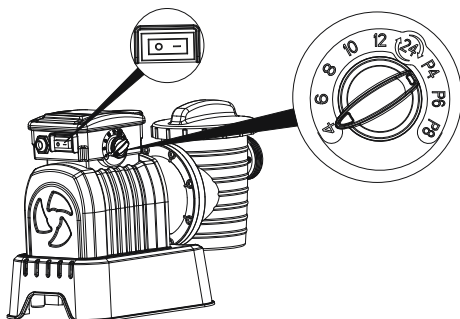
ЭКСПЛУАТАЦИЯ

Таймер

1. Вставьте вилку в розетку электросети и установите выключатель в положение «ВКЛ.» (-). Песочный фильтр немедленно начнет работать.
2. Установите выключатель в положение «ВЫКЛ.» (0). Песочный фильтр немедленно перестанет работать.
3. После включения поворотом ручки в нужное положение можно задать время работы, время покоя и время цикла. Подробные сведения см. в таблице ниже.
4. После поворота ручки в новое положение предыдущий цикл работы насоса отменяется и начинается новый цикл.

5. Каждый раз после подачи питания на фильтр или его перезапуска начинается новый цикл, соответствующий положению ручки таймера.

ПРИМЕЧАНИЕ. После установки ручки в положение круглосуточной работы (24) песочный фильтр будет работать непрерывно без времени покоя.



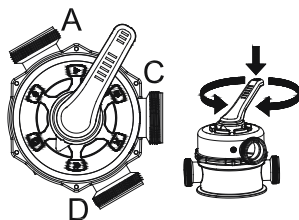
Положение ручки	Время работы (час)	Время покоя (час)	Длительность цикла (час)
4	4	20	24
6	6	18	24
8	8	16	24
10	10	14	24
12	12	12	24
24	24	0	24
P4	4	4	8
P6	6	6	12
P8	8	8	16

ОПИСАНИЕ УПРАВЛЯЮЩЕГО КЛАПАНА

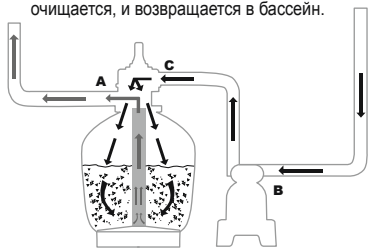
ВНИМАНИЕ: Во избежание повреждения оборудования и получения травмы, отключайте насос песчаного фильтра из розетки каждый раз при переключении режима управляющего клапана.

Изменение положения клапана во время работы насоса может испортить управляющий клапан, что может привести к травме или повреждению оборудования.

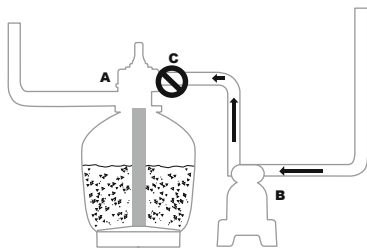
Как пользоваться управляющим клапаном
Нажмите вниз ручку управляющего клапана и поверните в нужное положение (режим)



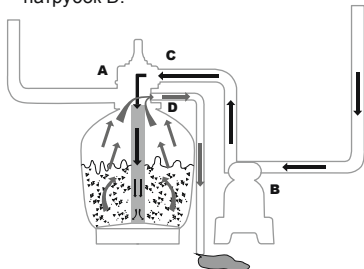
▶ Фильтрующий: Этот режим используется для фильтрации воды в бассейне и устанавливается в 99% случаев работы фильтра. Вода прокачивается через песчаный фильтр, где она очищается, и возвращается в бассейн.



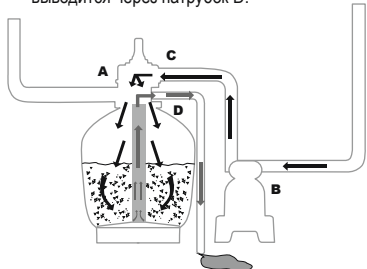
✗ Закрытый: В этом режиме поток воды между фильтром и бассейном перекрыт.



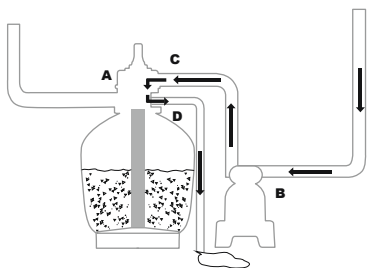
◀◀ Обратная промывка: Этот режим используется для очистки песчаной массы; вода прокачивается через соединительный патрубок, далее снизу вверх через песок и удаляется через патрубок D.



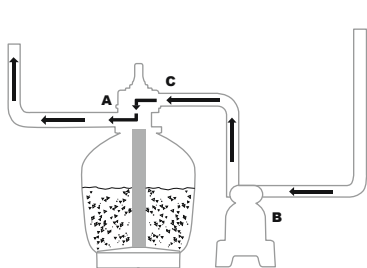
💧 Промывка: Этот режим применяется при первом пуске, очистке и выравнивании песчаной массы после обратной промывки; вода пропускается вниз через песок, поднимается вверх по соединительному патрубку и выводится через патрубок D.



☹ Слив: В этом режиме вода сливается из бассейна; при этой настройке вода идет мимо фильтра, вода откачивается и выходит из патрубка D, а не возвращается в бассейн.



↻ Циркуляция: В этом режиме вода из бассейна циркулирует, минуя песчаный фильтр, режим используется, когда фильтр сломан и мусор задерживается на сетках от мусора.



ПРИМЕЧАНИЕ

- Убедитесь в том, что при сбросе воды выполняются все требования местных и государственных правил. Не спускайте воду туда, где она может что-нибудь затопить или повредить.
- Когда управляющий клапан выставлен в режимы промывки, обратной промывки или слива, вода выходит через патрубок D.
- Не включайте песчаный фильтр при этом положении управляющего

клапана, чтобы не повредить его.

- Не выставляйте управляющий клапан в промежуточное положение, это приведет к протеканию воды.
- Чтобы избежать протечки воды, перед включением фильтра или функции циркуляции навинчивайте на место крышку канала «D» регулирующего клапана.

Выпускание воздуха

Нажмите на рукоятку регулирующего клапана и подождите, пока вода потечет из порта «D», чтобы выпустить воздух.

ПРИМЕЧАНИЕ: Необходимо повторять эту процедуру каждый раз при включении насоса после подготовки к зиме, обслуживания и обратной промывки слоя песка.

РУКОВОДСТВО ПО ПЕРВОМУ ИСПОЛЬЗОВАНИЮ

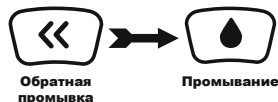
Обратная промывка и промывание выполняются для подготовки насоса к первому использованию и для промывки песка.

ОСТОРОЖНО! НЕ ВКЛЮЧАЙТЕ ПЕСОЧНЫЙ ФИЛЬТР ДЛЯ РАБОТЫ БЕЗ ВОДЫ

1. Нажмите на ручку регулирующего клапана и поверните в положение функции обратной промывки.
2. Подсоедините к источнику питания и включите фильтр на 3-5 минут или до тех пор, пока не пойдет чистая вода.
3. Выключите песочный фильтр и установите регулирующий клапан в положение функции промывания.
4. Включите песочный фильтр на 1 минуту. Запустится обратная циркуляция воды через песочный фильтр, и будет выполнен ее слив через порт «D».
5. Выключите песочный фильтр. Установите регулирующий клапан в закрытое положение.
6. При необходимости долейте в бассейн воду.

ВАЖНО! В ходе этой процедуры из бассейна вытекает вода, которую нужно доливать.

Немедленно выключите песочный фильтр, если уровень воды доходит до уровня впускного и выпускного клапанов бассейна.



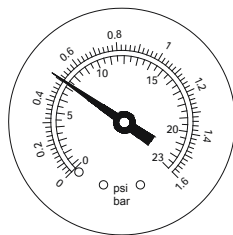
1. Песчаный фильтр готов к работе. Переключите управляющий клапан в фильтрующее положение.

ПРИМЕЧАНИЕ: Для предотвращения риска электрического удара, вытирайте насухо песочный фильтр.

ВАЖНО: Перед выполнением этого действия убедитесь в том, что резервуар устойчиво расположен на базе и правильно соединен с насосом.

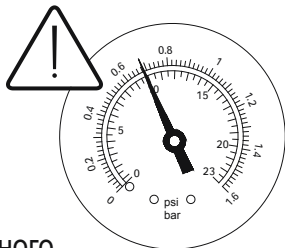
2. Работа песчаного фильтра.

ПРИМЕЧАНИЕ: Песчаный фильтр начал работу в фильтрующем режиме. Проверьте, возвращается ли вода в бассейн, и заметьте давление фильтра на манометре. Обычно рекомендуемое давление песчаного фильтра при работе меньше 0.56Бар (8.0PSI).



Обслуживание песчаного фильтра

ОСТОРОЖНО! Перед началом работ по обслуживанию выключите и отсоедините песочный фильтр от сети питания; в противном случае имеется серьезная опасность получения травм и даже смертельного исхода. По мере накопления загрязнений в песочном фильтре показания давления на манометре будут увеличиваться. Когда показания манометра составят 0,62 бар (9,0 psi) или выше, либо поток воды в бассейн станет слишком малым, значит пришло время очистки песка. Для выполнения очистки песчаного слоя следуйте инструкциям, приведенным ранее в разделе **«Обратная промывка и промывание»**.



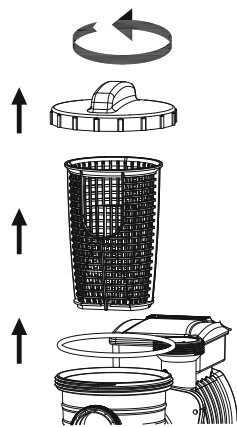
ПРИМЕЧАНИЕ:

1. Манометр предназначен только для целей технического обслуживания, а его показания служат только для справочных целей; его нельзя использовать как точный измерительный прибор.
2. Мы рекомендуем промывать песчаный слой раз в месяц или реже, в зависимости от частоты использования бассейна. Не промывайте песок слишком часто.

Очистка защитного фильтра

1. Отключите песочный фильтр из розетки и переключите управляющий клапан в режим «Закрыто».
2. Замените сетки для улавливания засорений заглушками, чтобы исключить утечку воды.
3. Снимите крышку фильтра, отвинтив ее.
4. Выньте защитный фильтр, очистите его от мусора.
5. Установите защитный фильтр на место. Проверьте правильность совмещения отверстия в защитном фильтре.
6. Проверьте, на месте ли уплотнительное кольцо. Снова завинтите крышку фильтра.
7. Снимите заглушки и установите сетки для улавливания засорений.

ПРИМЕЧАНИЕ: Защитный фильтр надо регулярно чистить. Грязный или забившийся защитный фильтр ухудшает работу песчаного фильтра.



Понижение уровня или слив воды из бассейна

1. Выключите песочный фильтр и установите регулирующий клапан в положение функции слива.
2. Отсоедините шланг от канала «А» бассейна и канала «А» песочного фильтра и присоедините к каналу «D».
3. Включите песочный фильтр в сеть, чтобы запустить фильтр и удалить воду из бассейна.

ВНИМАНИЕ! НЕ ВКЛЮЧАЙТЕ ПЕСОЧНЫЙ ФИЛЬТР ДЛЯ РАБОТЫ БЕЗ ВОДЫ.

Подготовка к зиме и длительное хранение

В местах, где температура окружающего воздуха понижается до температуры замерзания воды, оборудование бассейна следует подготовить к зиме, чтобы не допустить его повреждения.

Замерзшая вода повредит песочный фильтр, что приведет к аннулированию гарантии.

1. Выполните обратную промывку песочного фильтра.
2. Слейте воду из бассейна согласно инструкции пользователя бассейна.
3. Отвинтите крышку сливного клапана снизу бака и слейте оставшуюся воду.
4. Отсоедините оба шланга от бассейна и песчаного фильтра.
5. Полностью высыпьте песок из ёмкости и высушите все детали.
6. Положите песчаный фильтр на хранение в сухое место подальше от детей.

УСТРАНЕНИЕ НЕИСПРАВНОСТЕЙ

Неисправности	Возможные причины	Способ устранения
В бассейн поступает песок	<ul style="list-style-type: none">– Песок слишком мелкий– Перемещение регулирующего клапана из положения функции обратной промывки в положение функции фильтрации без остановки работы песочного фильтра– Уровень песка слишком высокий– Поломка скиммера	<ul style="list-style-type: none">– Рекомендуется кварцевый песок № 20 размером от 0,45 мм до 0,85 мм– Останавливайте работу песочного фильтра при каждой настройке регулирующего клапана– Проверьте, находится ли уровень песка между отметками MAX и MIN на коллекторной втулке.– Замените скиммер
Отсутствует поток воды	<ul style="list-style-type: none">– Не были вынуты стопорные заглушки– Воздух не выпущен– Регулирующий клапан установлен в закрытое положение– Сетчатый фильтр засорен– Поломка песочного фильтра	<ul style="list-style-type: none">– Снимите стопорные заглушки и вставьте сетки для улавливания засорений– Установите клапан в положение функции фильтра– Выпустите воздух– Очистите сетчатый фильтр– Обратитесь в сервисную службу
Чрезмерное давление на фильтре	<ul style="list-style-type: none">– Фильтр загрязнен– Известкование песчаного загрузочного слоя– Недостаточная обратная промывка– Поломка манометра	<ul style="list-style-type: none">– Выполните обратную промывку– Осмотрите песок и при необходимости замените– Выполните обратную промывку, пока не начнет вытекать чистая вода– Замените манометр.
Регулирующий клапан протекает из канала D	<ul style="list-style-type: none">– Регулирующий клапан установлен в положение между двумя функциями– Разорвана прокладка	<ul style="list-style-type: none">– Установите клапан в положение одной из функций– Замените прокладку
Течь через соединители	<ul style="list-style-type: none">– Шайба соединителей не на месте– Шайба соединителей повреждена– Ослаблены крепления шлангов	<ul style="list-style-type: none">– Установите шайбу на место– Замените шайбу– Затяните соединения

FILTR PIASKOWY

INSTRUKCJA OBSŁUGI

Odwiedź stronę Bestway na YouTube 



INSTRUKCJE DOT BEZPIECZEŃSTWA

OSTRZEŻENIE

WAŻNE INSTRUKCJE DOTYCZĄCE BEZPIECZEŃSTWA PRZECZYTAJ I ZASTOSUJ SIĘ DO WSZYSTKICH INSTRUKCJI BEZPIECZEŃSTWA.

Przy instalacji i korzystaniu z tego urządzenia elektrycznego należy zawsze przestrzegać podstawowych procedur bezpieczeństwa, łącznie z:

- Pompa powinna być zasilana poprzez izolowany transformator lub urządzenie prądu szczytkowego (RCD), gdzie znamionowy prąd roboczy nie przekracza 30 mA.
- Źródło zasilania na ścianie budynku powinno znajdować się w odległości ponad 4 m od basenu.
- Urządzenie musi być zasilane przez uziemione źródło zasilania.
- **RYZIKO PORAŻENIA PRĄDEM** - Nie należy używać pompy jeśli w basenie znajdują się osoby. Po uszkodzeniu filtra do piasku nie należy korzystać z basenu.
- **NIE ZAKOPYWAĆ PRZEWODU ZASILAJĄCEGO.** Umieść przewód tak, by zminimalizować zagrożenie ze strony kosiarek, przycinarek żywopłotów i podobnych urządzeń.
- Aby wyeliminować ryzyko porażenia prądem natychmiast wymień uszkodzony przewód.
- Jeżeli uszkodzony jest przewód zasilający, musi on zostać wymieniony przez producenta, przedstawiciela serwisowego lub inną osobę posiadającą podobne uprawnienia, by uniknąć zagrożeń.
- Nie wolno korzystać z przedłużaczy.
- Ryzyko porażenia prądem elektrycznym. Podłączanie filtra piaskowego do nieodpowiedniego zasilania jest niebezpieczne i spowoduje jego uszkodzenie.
- Nie wolno usuwać styku uziemienia lub modyfikować wtyczki w jakikolwiek sposób. Nie wolno stosować adapterów wtyczek. Skonsultuj się z elektrykiem w sprawie pytań dotyczących uziemienia lub wtyczek.
- Filtr piaskowy należy przenosić z zachowaniem ostrożności. Nie wolno

ciągnąc go lub nosić trzymając za przewód zasilania. Nigdy nie wolno wyciągać wtyczki z gniazdka ciągnąc za przewód. Nie dopuszczać do przetarcia przewodu zasilania. Filtr piaskowy należy trzymać z dala od elementów ostrych, oleju, ruchomych części oraz od gorąca.

- Zawsze przed przystąpieniem do demontowania, czyszczenia, serwisowania lub wykonywania jakichkolwiek regulacji należy odłączyć urządzenie od zasilania elektrycznego.
- Nie podłączać lub odłączać urządzenia z gniazdka mokrymi rękami.
- Należy zawsze odłączyć urządzenie od zasilania:
 - W deszczowe dni
 - Przed czyszczeniem lub innymi zabiegami konserwacyjnymi
 - Jeśli pozostawiony bez nadzoru na okres wakacyjny
- W dłuższych okresach w których produkt nie jest używany, na przykład w zimie, zestaw basenowy powinien być demontowany i przechowywany wewnątrz.
- **UWAGA:** przed użyciem tego urządzenia zapoznaj się z instrukcją i montuj/składaj produkt na nowo przed każdym użyciem.
- Instrukcje przechowywać w bezpiecznym miejscu. Za każdym razem przy ponownym rozkładaniu basenu, zaleca się odnosić do instrukcji obsługi.
- W przypadku utraty niniejszego podręcznika, należy skontaktować się z firmą Bestway lub wyszukać go na naszej stronie internetowej: www.bestwaycorp.com
- Instalacje elektryczne powinny być przeprowadzane w zgodzie z krajowymi przepisami układania przewodów. Jeśli masz jakieś pytania, zwróć się do wykwalifikowanego elektryka.

UWAGA: Filtr piaskowy jest przeznaczony tylko do składanych basenów. Nie wolno używać jej do basenów stałych. Basen składany jest skonstruowany tak, aby można było go rozmontować do przechowywania i następnie złożyć do ponownego użycia. Stały basen jest przeważnie zbudowany na ziemi lub wkopany tak, że nie można go rozmontować do przechowywania.

- Niniejsze urządzenie może być użytkowane przez dzieci od 8 roku życia oraz osoby z ograniczonymi zdolnościami fizycznymi, zmysłowymi lub psychicznymi lub z brakiem doświadczenia i wiedzy, tylko jeśli zapewniony jest im nadzór lub instrukcje dotyczące użytkowania sprzętu w sposób bezpieczny i rozumieją związane z tym zagrożenia. Dzieci nie powinny bawić się urządzeniem. Czyszczenie oraz konserwacja nie może być wykonywana przez dzieci bez nadzoru. (Dla rynku UE)
- Osoby (w tym dzieci) o ograniczonej sprawności fizycznej, sensorycznej i umysłowej oraz osoby nieposiadające dostatecznej wiedzy albo wystarczającego doświadczenia mogą używać tego urządzenia tylko pod

opieką lub pod warunkiem, że zostały poinstruowane, przez osobę odpowiedzialną za ich bezpieczeństwo, o bezpiecznym sposobie używania urządzenia. Dzieci powinny być nadzorowane w celu upewnienia się, że nie bawią się tym produktem. (Dla rynku innego niż UE)

- Czyszczenie i konserwacja muszą być wykonywane przez osobę dorosłą - w wieku powyżej 18 roku życia, która jest świadoma ryzyka porażenia prądem elektrycznym.

UWAGA:

- Ustaw filtr piaskowy na twardym i równym podłożu. Należy zapewnić, aby filtr piaskowy znajdował się, co najmniej 2 metry od brzegu basenu. Trzymaj sprzęt jak najdalej.
- Zwróć uwagę na ustawienie filtra piaskowego i basenu tak, aby była zapewniona właściwa wentylacja, odprowadzenie wody oraz dostęp do prac konserwacyjnych. Nigdy nie wolno ustawiać filtra piaskowego w miejscu gdzie gromadzi się woda lub gdzie przechodzą osoby.
- Po zainstalowaniu zestawu wtyczka musi być dostępna. Wtyczka filtra piaskowego powinna znajdować się w odległości przynajmniej 3,5 metra od basenu.
- Warunki atmosferyczne mogą mieć wpływ na wydajność i okres żywotności pompy; należy przedsięwziąć odpowiednie kroki, aby chronić filtr piaskowy przed niepotrzebnym zużyciem, które może wystąpić podczas okresów zimna, gorąca i lub wystawienia na promienie słoneczne.
- Przed rozpoczęciem użytkowania, sprawdź czy są wszystkie części składowe. Powiadom dział serwisu Bestway, przesyłając zawiadomienie na adres wymieniony w niniejszej instrukcji, gdy po zakupie odkryte zostaną części uszkodzone lub ich brak. Ważne jest, aby jak najszybciej wymienić wszystkie zużyte części. Należy używać wyłącznie części zatwierdzone przez producenta.
- Nie pozwól, aby dzieci lub dorośli opierali się lub siadali na urządzeniu.
- Nie wolno dodawać środków chemicznych do filtra piaskowego.
- Jeśli do czyszczenia wody w basenie stosowane są środki chemiczne, dla zdrowia pływaków zaleca się, przestrzegania minimalnego czasu filtrowania, zależnego od przepisów dotyczących zdrowia.
- Do montażu produktu należy używać wyłącznie narzędzi załączonych lub określonych przez producenta.
- Konieczne jest sprawdzenie, czy otwory zasysające nie są zamknięte.
- Podczas operacji konserwacji przeprowadzanych na systemie filtrującym zaleca się zatrzymanie filtrowania.
- Regularnie sprawdzaj stopień zapchania filtra.
- Zaleca się cotygodniowe kontrolowanie stanu filtra w celu przeprowadzenia

ewentualnego płukania zwrotnego lub czyszczenia. W celu zapewnienia czystej wody zaleca się jej codzienne, 8-godzinne filtrowanie.

- Należy wymienić każdy zniszczony element lub zestaw elementów tak szybko jak tylko jest to możliwe. Należy używać wyłącznie części zatwierdzonych przez osobę odpowiedzialną za wprowadzenie produktu na rynek.
- Wszystkie filtry i media filtracyjne powinny być regularnie kontrolowane w celu zapewnienia, że nie nagromadziły się w nich zanieczyszczenia, mogłyby to utrudniać prawidłową filtrację wody. Utylizacja jakichkolwiek zużytych mediów filtrujących powinna odbywać się w sposób zgodny z obowiązującymi regulacjami/przepisami.
- Należy przestrzegać wszystkich wymogów bezpieczeństwa i zaleceń zamieszczonych w instrukcji obsługi. W przypadku jakichkolwiek wątpliwości dotyczących pompy czy jakichkolwiek innych elementów układu obiegu wody, skontaktuj się ze specjalistą lub producentem / importerem / dystrybutorem. Instalacja obiegu wody powinna być zgodna z Europejskimi oraz krajowymi/lokalnymi przepisami, przede wszystkim jeśli jest ona w kontakcie z elementami elektrycznymi. Każda zmiana położenia zaworów, zmiana rozmiaru pompy czy krat, może spowodować zmianę strumienia przepływu i zwiększenie szybkości ssania.
- Ten produkt nie jest przeznaczony do używania do celów komercyjnych.

Prosimy o dokładne przeczytanie i zachowanie tej instrukcji obsługi do późniejszego wglądu.

ZACHOWAJ TE INSTRUKCJE

UTYLIZACJA



Znaczenie symbolu przekreślonego śmietnika na kółkach:

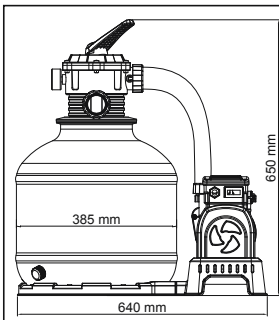
— Nie wyrzucaj urządzeń elektrycznych jako niesortowalnego śmieci komunalnego, korzystaj z oddzielnych pojemników przeznaczonych na ich zbieranie.

Skontaktuj się z samorządem lokalnym w sprawie uzyskania informacji o dostępności urządzeń do zbierania tych odpadów.

Jeżeli urządzenia elektryczne zbierane są w dołach lub wysypiskach śmieci, niebezpieczne substancje mogą przedostać się do wody gruntowej i w ten sposób dostać się do łańcucha pokarmowego, powodując uszczerbek na zdrowiu lub złe samopoczucie.

W razie wymiany starych urządzeń na nowe, sprzedawca detaliczny jest prawnie zobowiązany do nieodpłatnego przyjęcia waszego zużytego sprzętu do utylizacji.

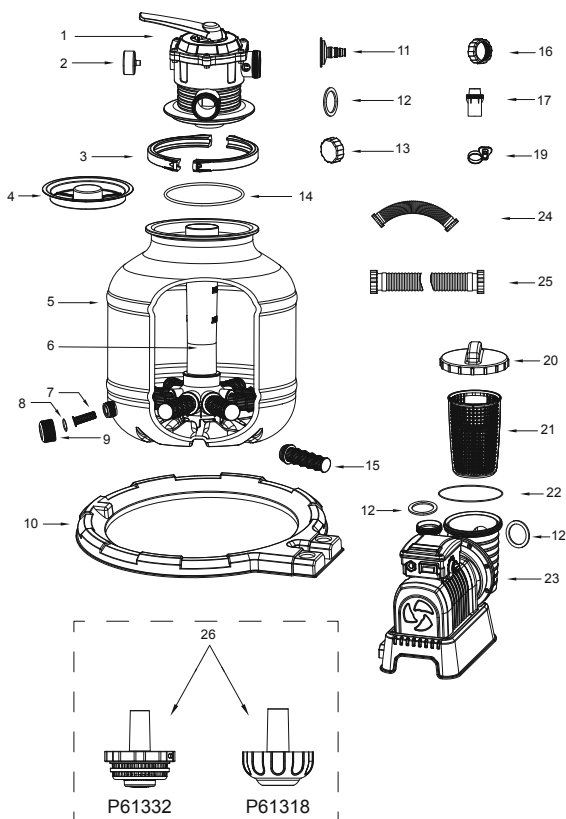
DANE TECHNICZNE



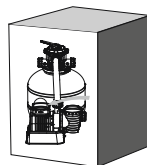
Średnica filtra:	385 mm
Efektywna powierzchnia filtra:	0.11 m ² (1.18 ft ²)
Maksymalne ciśnienie:	1.59 Bar (23 PSI)
Ciśnienie robocze filtra piaskowego:	<0.55 Bar (8 PSI)
Maksymalna temperatura wody:	35°C
Piasek:	Nie ma w zestawie
Wielkość piasku:	#20 krzemionka, 0,45-0,85 mm
Objętość piasku:	Okolo 36 kg

PRZEGLĄD CZĘŚCI

Przed zmontowaniem filtra piaskowego, poświęć kilka minut na zapoznanie się ze wszystkimi jego częściami.



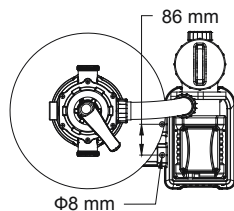
A



NR REF.	NR CZĘŚCI	A
1	P03831	1
2	P61138ASS16	1
3	P03832	2
4	P61209ASS16	1
5	P03843	1
6	P03844	1
7	P61211ASS16	1
8	P6581ASS16	1
9	P6580ASS16	1
10	P03845	1
11	P6614ASS16	1
12	P6029ASS16	5
13	P03830	1
14	P61214ASS16	1
15	P61210ASS16	8
16	P03829	1
17	P6916ASS16	2
19	P6124ASS16	2
20	P6561ASS16	1
21	P6562ASS16	1
22	P6563ASS16	1
23	P03814(EU)/P03816(GB)	1
24	P03849	1
25	P6518ASS16	2
26	P61322ASS16	1
	P61318ASS16	1

Składanie (Potrzebny Ci będzie śrubokręt.)

1. Ostrożnie wyjmij wszystkie części składowe z opakowania i sprawdź czy czegoś nie brakuje. Jeżeli czegoś brakuje należy od razu poinformować o tym sprzedawcę.
2. Filtr piaskowy powinien być ustawiony na solidnym, płaskim podłożu, najlepiej na płycie betonowej. Ustaw filtr piaskowy tak, aby wszystkie złącza i zawór kontrolny były dostępne do obsługi, serwisowania i zimowania.
3. Według normy EN60335-2-41 TEST, filtr piaskowy należy przymocować jeszcze przed jego użyciem do podłoża albo stabilnego postumentu drewnianego lub betonowego w pozycji pionowej, żeby zapobiec jego ewentualnemu przewróceniu się. Zmontowany filtr piaskowy będzie ważyć ponad 18kg. Średnica otworów do mocowania powinna wynosić 8mm i powinny znajdować się od siebie w odległości 86mm. Do przymocowania filtra piaskowego do postumentu użyj dwóch śrub z nakrętkami o maksymalnej średnicy 8mm.



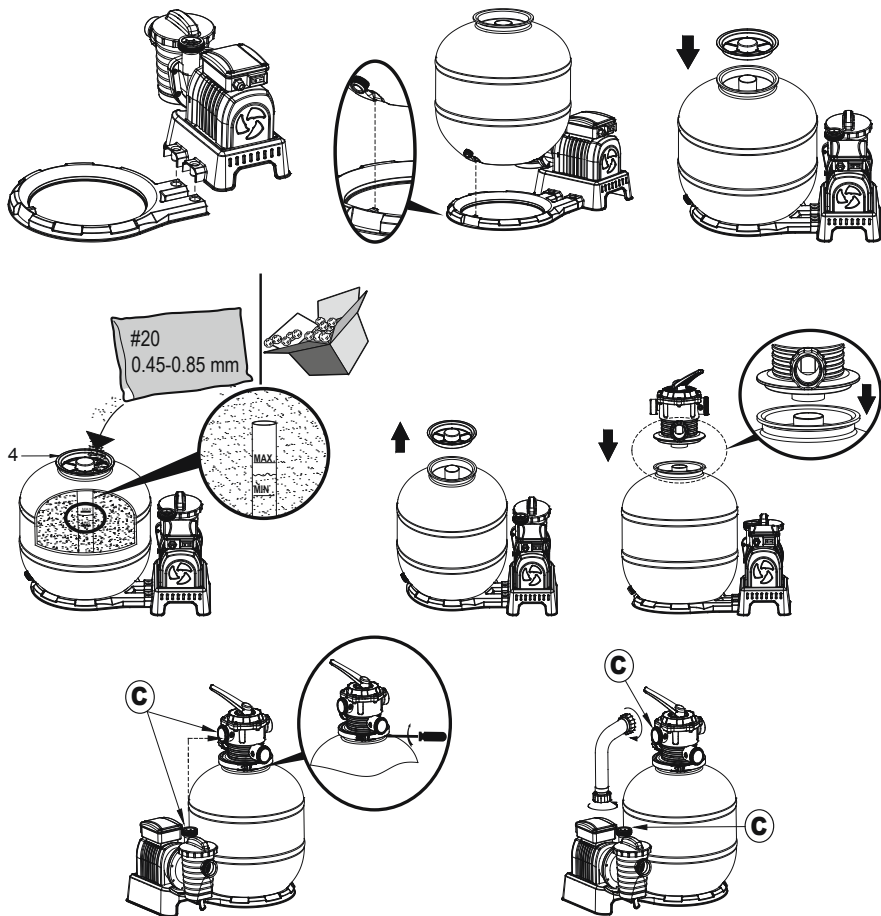
Napełnić piaskiem przeznaczonym do filtrów basenowych/materiałem Flowclear™ Polysphere.

UWAGA: Używaj tylko specjalnego piasku filtrującego bez kamieni lub iłu: #20 piasek krzemionkowy 0.45-0.85mm, jeden worek 36kg powinien wystarczyć. Jeśli nie używasz filtra piaskowego o zalecanej wielkości, filtrowanie może być zmniejszone a filtr piaskowy może ulec uszkodzeniu, doprowadzając w ten sposób do naruszenia warunków gwarancji.

UWAGA: Aby uniknąć uszkodzenia pływaka podczas wsypywania piasku, wlej trochę wody do dolnego zbiornika tak, aby przykryła ona pływak w zbieraczu.

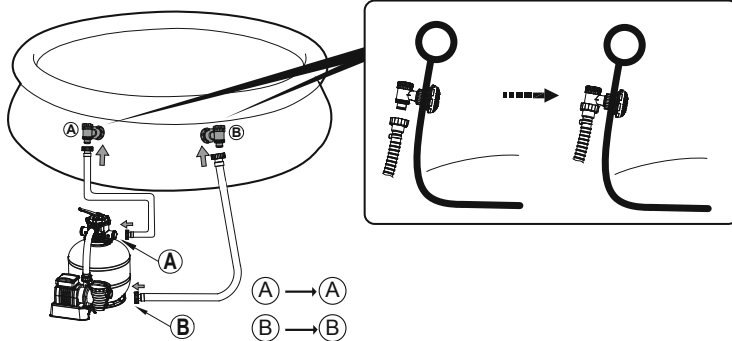
UWAGA: Materiału Sand/Flowclear™ Polysphere brak w zestawie.

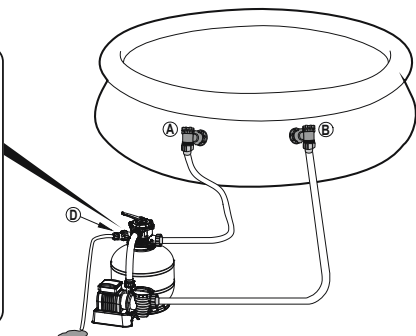
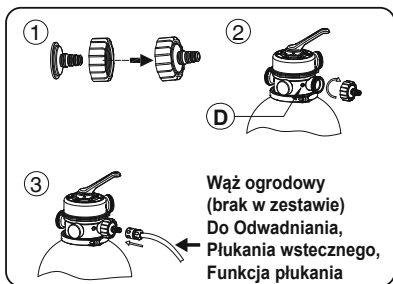
UWAGA: Użyj 28 g materiału Flowclear™ Polysphere, aby zastąpić 1 kg piasku.



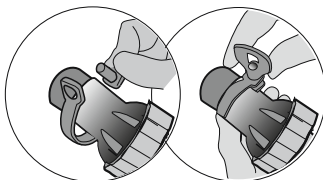
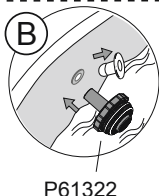
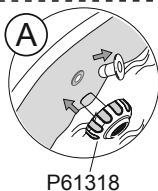
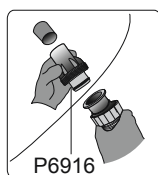
Podłącz do basenu

1



2

Do basenów z zaworem o średnicy 32mm (1.25 cala).



STOP

Przed uruchomieniem należy uważnie przeczytać instrukcję.

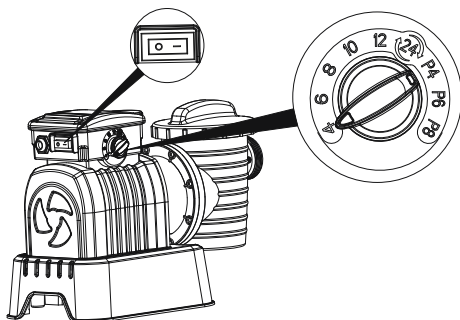
UŻYTKOWANIE

Regulator czasowy

1. Podłącz do źródła zasilania, ustaw przełączni zasilania w położeniu „ON” (-). Filtr piaskowy zacznie działać natychmiast.
2. Ustaw przełącznik zasilania w położeniu „OFF” (0). Filtr piaskowy przestanie działać natychmiast.
3. Po włączeniu można ustawić czas pracy, czas spoczynku i czas cyklu poprzez ustawienie pokrętła w żądanej pozycji. Więcej szczegółów przedstawiono w poniższej tabeli.
4. Gdy pokrętło regulatora czasowego zostanie przestawione do nowego położenia, poprzedni cykl filtra zostaje automatycznie anulowany i rozpoczyna się nowy cykl.

5. Po każdym włączeniu zasilania filtra lub jego ponownym uruchomieniu rozpoczyna się nowy cykl, zależny od położenia pokrętła.

UWAGA: Jeżeli pokrętło zostanie ustawione w położeniu 24-godzinnym (24), filtr piaskowy będzie pracować przez cały czas bez żadnej przerwy.

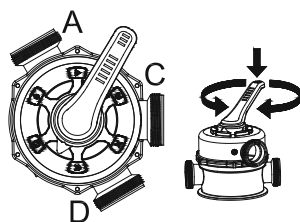


Położenie pokrętła	Czas pracy (H)	Czas spoczynku (H)	Czas cyklu (H)
4	4	20	24
6	6	18	24
8	8	16	24
10	10	14	24
12	12	12	24
24	24	0	24
P4	4	4	8
P6	6	6	12
P8	8	8	16

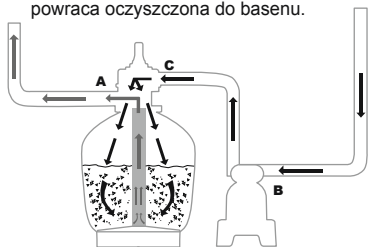
ZAWÓR KONTROLNY

OSTRZEŻENIE: Aby uniknąć uszkodzenia oraz możliwego wypadku, odłącz filtr piaskowy przed każdą zmianą położenia zaworu kontrolnego. Zmiana położenia zaworu kontrolnego, gdy pompa pracuje może doprowadzić do uszkodzenia samego zaworu oraz do wypadków lub uszkodzenia mienia. Jak korzystać z zaworu kontrolnego

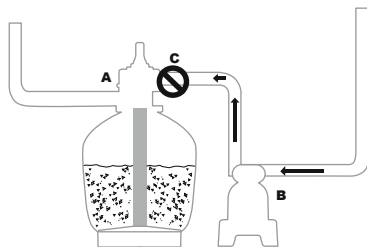
Wciśnij w dół dźwignię zaworu kontrolnego i obróć ją w odpowiednie położenie.



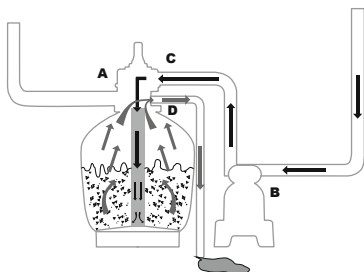
▶ Filtrowanie: Funkcja ta to filtrowanie wody w basenie, zawór powinien być ustawiony w tej pozycji przez 99% czasu pracy. Woda jest przepompowywana przez filtr piaskowy i powraca oczyszczona do basenu.



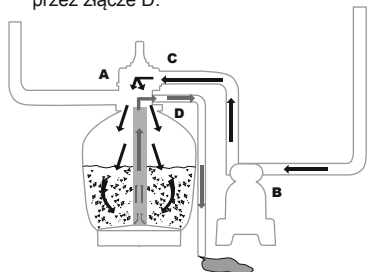
✗ Zamknięty: Funkcja ta powoduje zamknięcie obiegu wody pomiędzy filtrem piaskowym a basenem.



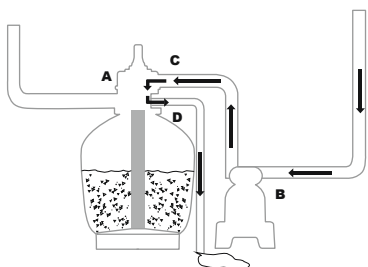
◀ Obieg wsteczny: Funkcja ta służy do oczyszczania piasku; woda jest przepompowywana do dołu przez zbieracz, do góry poprzez piasek i wylewa się przez złącze D.



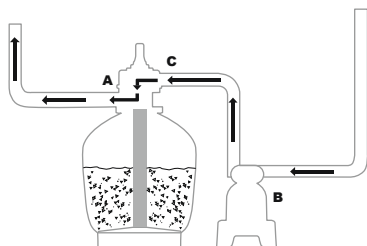
💧 Przepłukiwanie: Funkcja ta jest używana na początku, do czyszczenia oraz do układania piasku po obiegu wstecznym; woda jest pompowana w dół poprzez piasek, do góry przez zbieracz i wylewa się przez złącze D.



☹ Drenaż: Funkcja ta to spuszczenie wody z basenu; kolejna funkcja, która pomija filtr, woda zamiast powracać do basenu wylewa się przez złącze D.



↻ Cyrkulacja: Funkcja ta to obieg wody basenowej z pominięciem filtra; należy jej używać gdy filtr jest zepsuty, aby nieczystości zbierały się na siatkach filtrujących.



UWAGA:

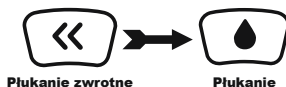
- Upewnij się czy spełnione są wszystkie lokalne, regionalne i państwowe normy dotyczące pozbywania zużytej wody. Nie wolno wylewać wody w miejscach, gdzie może to spowodować podtopienia lub uszkodzenia.
- Gdy zawór kontrolny jest ustawiony na obieg wsteczny, przepłukiwanie lub drenaż, woda będzie wylewać się przez złącze D zaworu.

- Nie wolna podłączać i uruchamiać filtra piaskowego z zaworem kontrolnym ustawionym w pozycji Zamknięty, gdyż może to spowodować poważne uszkodzenia.
- Nie wolno ustawić zaworu kontrolnego w położeniu pomiędzy funkcjami gdyż może to prowadzić do powstania przecieków.
- Aby zapobiec wyciekaniu wody, należy dokręcić Nakrętkę Port D do Zaworu Sterującego Port D przed uruchomieniem filtra lub funkcji przepływu.

Wypuszczanie powietrza

Wciśnij uchwyt zaworu regulującego i odczekaj, aż woda przepływie z Portu D, aby wypuścić powietrze.

UWAGA: Ważne jest powtarzanie tej operacji przed każdym uruchomieniem pompy po okresie zimowym, oraz po każdej konserwacji i zabiegu zwrotnego płukania pokładu piasku.



INSTRUKCJA PIERWSZEGO UŻYTKOWANIA

Należy przeprowadzić Płukanie zwrotne oraz Płukanie w celu przygotowania pompy do pierwszego użycia, a także do mycia piasku.

UWAGA: NIE WŁĄCZAJ FILTRU PIASKOWEGO NA SUCHO

1. Wciśnij uchwyt Zaworu Regulującego i obrócić na funkcję Płukania zwrotnego.
2. Podłącz i uruchom filtr piaskowy na 3-5 minut, aż do całkowitego oczyszczenia wody.
3. Wyłącz filtr piaskowy i ustaw zawór regulacyjny na funkcję płukania.
4. Włącz filtr piaskowy i uruchom go na 1 min. Włączy to obieg wody do tyłu przez filtr piaskowy i odprowadzi wodę przez port D.
5. Wyłącz filtr piaskowy. Ustaw zawór regulacyjny na funkcję zamknięcia.
6. Jeśli jest taka potrzeba, uzupełnij wodę w basenie.

WAŻNE: Ta procedura usuwa z basenu brudną wodę, którą trzeba zastąpić.

Jeśli poziom wody zniży się do wysokości zaworów wlotowych i wylotowych basenu, wyłącz natychmiast filtr piaskowy.

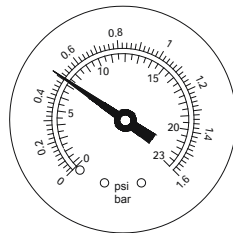
1. Teraz filtr piaskowy jest gotowy do użycia. Ustaw zawór kontrolny w pozycji 'Filtrowanie'.

UWAGA: Aby uniknąć ryzyka porażenia prądem wytrzymaj filtr piaskowy oraz siebie z pozostałości wody.

WAŻNE: Przed operacją upewnij się, że zbiornik stabilnie spoczywa na bazie oraz że został on prawidłowo podłączony do pompy.

2. Uruchom filtr piaskowy.

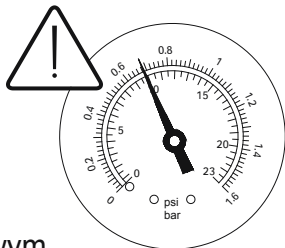
UWAGA: Filtr piaskowy rozpoczął teraz cykl filtrowania. Sprawdź, czy woda powraca do basenu oraz wartość ciśnienia. Generalnie, zalecane ciśnienie dla filtra piaskowego podczas pracy to poniżej 0.56Bar (8.0PSI).



Konserwacja filtr piaskowego

UWAGA: Należy się upewnić, że filtr piaskowy jest wyłączony i odłączony od sieci przed rozpoczęciem jakichkolwiek prac konserwacyjnych, w przeciwnym razie istnieje poważne ryzyko obrażeń lub śmierci.

Ponieważ brud gromadzi się w filtrze piaskowym, ciśnienie wyświetlane na Manometrze wzrośnie. Gdy Manometr wyświetla ciśnienie równe 0,62 Bar (9,0 PSI) lub więcej, albo kiedy przepływ wody do basenu jest zbyt mały, oznacza to, że należy oczyścić z piasku. Aby wyczyścić złoża piasku, należy przestrzegać wszystkich instrukcji opisanych poprzednio w sekcji: **Płukanie wsteczne i Płukanie.**



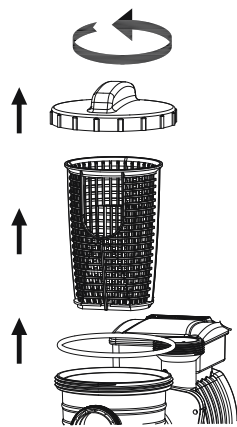
UWAGA:

1. Ciśnieniomierz jest przeznaczony wyłącznie do celów konserwacyjnych, a wskazywane przez niego wartości są przybliżone, nie może być on stosowany jako przyrząd precyzyjny.
2. Zalecamy czyszczenie pokładu piasku raz w miesiącu lub rzadziej, w zależności od częstotliwości korzystania z basenu. Nie należy czyścić piasku zbyt często.

Czyszczenie Sitka

1. Odłącz wtyczkę filtra piaskowego od zasilania, a Zawór kontrolny ustaw na funkcję zamkniętą.
2. Wymień filtry siatkowe na korki aby zapobiec wypływowi wody.
3. Zdejmij Pokrywkę sitka odkręcając ją.
4. Wyjmij Sitko, usuń wszystkie zanieczyszczenia.
5. Włóż Sitko z powrotem do odpowiedniej pozycji. Sprawdź właściwe położenie otworu Sitka.
6. Sprawdź, czy obręcz uszczelki jest we właściwym miejscu. Zakręć Pokrywkę sitka z powrotem.
7. Wyjmij korki i włóż filtry siatkowe

UWAGA: Sitko należy opróżniać i oczyszczać regularnie. Brudne lub zapchane sitko będzie powodować gorszą pracę filtra piaskowego.



Obniżanie lub Spuszczanie wody w basenie

1. Wyłącz filtr piaskowy i ustaw Zawór Regulujący na funkcję Wypuszczania wody.
2. Odłącz wąż od Portu A basenu oraz od Portu A filtra piaskowego i podłącz do Portu D.
3. Włącz filtr piaskowy, aby go uruchomić i usunąć wodę z basenu.

OSTRZEŻENIE: NIE WŁĄCZAJ FILTRU PIASKOWEGO NA SUCHO.

Przechowywanie w okresie zimowym i długotrwałe przechowywanie

W obszarach narażonych na zimowy mróz, wyposażenie basenu należy przygotować do warunków zimowych, aby go chronić przed uszkodzeniem.


Dopuszczenie do zamarznięcia wody może uszkodzić filtr piaskowy i spowodować utratę gwarancji.

1. Wykonaj płukanie zwrotne filtra piaskowego.
2. Spuszczaj wodę z basenu zgodnie z instrukcją użytkowania.
3. Odkręć nakrętkę zaworu spustowego znajdującą się w dolnej części zbiornika i wypuśća pozostającą wodę.
4. Odłącz dwa węże od basenu i filtra piaskowego.
5. Wysyp cały piasek ze zbiornika i osusz wszystkie części.
6. Przechowuj filtr piaskowy w suchym miejscu, z dala od zasięgu dzieci.

ROZWIĄZYWANIE PROBLEMÓW

Problemy	Prawdopodobne przyczyny	Sposoby rozwiązania
Piasek wpływa do basenu	<ul style="list-style-type: none">- Piasek jest zbyt drobny- Przesuń zawór sterujący z funkcji mycia z przepływem zwrotnym do funkcji filtrowania bez zatrzymania filtra piaskowego- Poziom piasku jest zbyt wysoki- Cedzidło jest zepsute	<ul style="list-style-type: none">- Zalecany piasek kwarcowy o uziarnieniu 0,45mm do 0,85mm #20- Za każdym razem zatrzymaj filtr piaskowy, ustaw zawór sterujący- Sprawdź, czy poziom piasku znajduje się pomiędzy wartościami „MAX” i „MIN” oznaczonymi na środkowej rurce- Wymień cedzidło
Brak przepływu wody	<ul style="list-style-type: none">- Korki nie były usunięte- Powietrze nie zostało wypuszczone- Zawór sterujący ustawiony był w pozycji Zamknięty- Sitko zostało zablokowane- Filtr piaskowy jest uszkodzony	<ul style="list-style-type: none">- Usuń korki i włóż ekrany siatkowe- Wypuść powietrze- Ustaw na funkcję filtra- Oczyszczyć sitko- Zadzwoń do serwisu
Nadmierne ciśnienie filtra	<ul style="list-style-type: none">- Brudny filtr- Zwapniała warstwa piasku- Niedostateczne płukanie zwrotne- Ciśnieniomierz jest zepsuty	<ul style="list-style-type: none">- Płukanie zwrotne- Sprawdź piasek i wymień w razie potrzeby- Wykonaj cykl płukania zwrotnego, aż wypływ będzie czysty- Wymień ciśnieniomierz
Zawór sterujący przecieka w porcie D	<ul style="list-style-type: none">- Zawór sterujący został ustawiony pomiędzy dwoma funkcjami- Uszczelka jest zniszczona	<ul style="list-style-type: none">- Ustaw na jednej funkcji- Wymień uszczelkę
Łączniki przeciekają	<ul style="list-style-type: none">- Podkładka łączników nie jest w pozycji- Podkładka łączników jest zniszczona- Luźne Węże	<ul style="list-style-type: none">- Umieść podkładkę w pozycji- Wymień podkładkę- Dokręć je

HOMOKSZŰRŐ HASZNÁLATI UTASÍTÁS

Látogassa meg a Bestway YouTube-csatornáját 



BIZTONSÁGI TUDNIVALÓK

FIGYELMEZTETÉS

FONTOS BIZTONSÁGI ELŐÍRÁSOK KÉRJÜK OLVASSA EL ÉS TARTSA BE EZEKET AZ ELŐÍRÁSOKAT!

Ennek az elektromos berendezésnek az üzembe helyezésekor és használatakor mindig be kell tartani az alapvető biztonsági intézkedéseket, többek között:

- A szivattyút szigetelőtranszformátorról vagy maradékáram-működtetésű megszakítóval (RCD) rendelkező hálózati áramellátásról kell működtetni, a névleges üzemi maradékáram pedig nem haladhatja meg a 30 mA-t.
- Az épület fali áramforrásának a medencétől legalább 4 m-re kell lennie.
- A készüléket földelt áramforrásra kell csatlakoztatni
- **ÁRAMÜTÉSVESZÉLY!** - A szivattyú nem használható, ha ember van a medencében! Tiltsa meg a medence használatát, ha a homokszűrő megsérült.
- **A VEZETÉKET A FÖLD FELETT VEZESSE.** A vezetéket úgy kell elhelyezni, hogy abban fűnyíró, sövényvágó vagy egyéb berendezések lehetőleg ne tehessenek kárt.
- Az áramütés-veszély csökkentése érdekében a sérült vezetéket azonnal ki kell cserélni.
- A balesetveszély elkerülése érdekében a hálózati kábel sérülése esetén azt a gyártónak, szervizképviselőnek vagy más szakképzett személynek kell kicserélnie.
- Hosszabbítókábelek nem használhatók.
- Áramütésveszély! A homokszűrőt nem megfelelő áramforrásról üzemeltetni veszélyes, és az a homokszűrőt tönkretetheti.
- Tilos a földelő vezetéket eltávolítani vagy a csatlakozót bármilyen módon átalakítani. Tilos az átalakító csatlakozók használata. A csatlakozók vagy a földelés megfelelőségével kapcsolatos kérdésekben kérje ki szakképzett elektromos műszerész tanácsát.
- A homokszűrőt használja óvatosan. Ne húzza vagy emelje a homokszűrőt

a tápvezetéknel fogva. Sohase húzza ki a csatlakozódugaszt a konnektorból a vezetéknel fogva.

Óvja a vezetéket a sérüléstől. Ne tegye ki a homokszűrőt éles tárgyaktól, olajtól, mozgó alkatrészekről vagy túlzott hőhatástól származó sérülésnek.

- A tápvezetéket a termék szállítása, tisztítása, szerelése vagy bármilyen módosítása előtt mindig ki kell húzni a konnektorból.
- Ne dugja be és ne húzza ki a készülék dugóját nedves kézzel
- Mindig válassza le a készüléket az áramellátásról:
 - Esős időben
 - Tisztítás vagy más karbantartás esetén
 - Ha szünnapokon felügyelet nélkül hagyja
- Ha a készüléket előre láthatólag hosszabb ideig nem fogja használni (pl. télen), a medencekészletet szét kell szerelni, és beltérben kell tárolni.
- **VIGYÁZAT:** A készülék használata, illetve (újra)összeszerelése előtt, kérjük, minden alkalommal olvassa el az útmutatót.
- Az utasítások betartása. A medencekészletet összeszerelését minden alkalommal az utasítások szerint végezze.
- Az utasítások elvesztése esetén, kérjük, vegye fel a kapcsolatot a Bestway vállalattal, vagy keresse meg a következő weboldalon: www.bestwaycorp.com
- Az elektromos rendszereknek meg kell felelniük a huzalozásra vonatkozó országos követelményeknek. Ha kérdései vannak, kérje ki egy szakképzett villanszerelő tanácsát.

VIGYÁZAT: A homokszűrő kizárólag összeszerelhető medencékhez használható. Tilos a homokszűrőt állandóra szerelt medencékhez használni. Az összeszerelhető medencék úgy vannak megépítve, hogy azokat a tároláshoz könnyű legyen szétszerelni, majd újra összeállítani. Az állandó medencék földbe süllyesztett, a földön álló vagy épületben elhelyezett, nem szétszerelhető létesítmények.

- Ez a készülék 8 éves kortól használható, illetve a fizikailag, érzékszervileg vagy szellemileg korlátozott, továbbá a kellő tapasztalattal vagy tudással nem rendelkező személyek a készüléket csak felügyelet mellett, vagy a készülék biztonságos használatával kapcsolatos ismeretek megszerzését és a járulékos veszélyek megértését követően használhatják. A gyermekek nem játszhatnak a készülékkel. A tisztítást és felhasználó által végzendő karbantartást gyermekek csak felügyelettel végezhetik. (EU-s piacra szánt termék esetén)
- Ez a készülék nem használható fizikailag, érzékszervileg vagy szellemileg korlátozott, továbbá a kellő tapasztalattal vagy tudással nem rendelkező személyek (és gyermekek) által, kivéve felügyelet mellett, vagy ha

- készülék biztonságos használatával kapcsolatosan útmutatást kaptak egy a biztonságukért felelős személytől. A gyerekeket felügyelni kell, hogy ne hogy játszanak a készülékkel. (EU-n kívüli piacra szánt termék esetén)
- A tisztítást és felhasználói karbantartást csak 18 évet betöltött, az elektromos áramütés veszélyeivel tisztában lévő felnőttek végezhetik.

FIGYELEM:

- A homokszűrőt szilárd, egyenletes talajon helyezzük el. A homokszűrőnek a medence szélétől legalább 2m távolságra kell lennie. A berendezést tartsa a lehető legtávolabb.
- A medencét és a homokszűrőt úgy helyezze el, hogy megfelelő legyen a szellőzés és a vízelvezetés, és hogy karbantartás esetén könnyű legyen a hozzáférés. Ne helyezze a homokszűrőt mélyedésbe, ahol meggyűlhet a víz, vagy ahol a járókelőknek útjában lehet.
- Fontos, hogy a felállított medence közelében legyen a hálózati konnektor. A homokszűrő hálózati csatlakozójának a medencétől legalább 3,5m távolságra kell lennie.
- A légköri viszonyok befolyásolhatják a homokszűrő teljesítményét és élettartamát; tegye meg a szükséges óvintézkedéseket annak érdekében, hogy a homokszűrőt megvédje a hideg vagy meleg időjárás, illetve a napsütés okozta felesleges elhasználódástól.
- Az első használat előtt ellenőrizze, hogy megvan-e a homokszűrő valamennyi alkatrésze. Kérjük, hogy az ebben a kézikönyvben található ügyfélszolgálati címen értesítse a Bestway-t, ha a vásárláskor bármely alkatrész hibás vagy hiányzik.
- Minden sérült alkatrész a lehető leghamarabb ki kell cserélni. Csak a gyártó által jóváhagyott alkatrészeket használja.
- Ügyeljen rá, hogy gyerekek vagy felnőttek ne támaszkodjanak neki és ne üljenek rá a berendezésre.
- A homokszűrőbe ne tegyen semmiféle vegyi anyagot.
- Ha vegyszereket használ a medence vizének tisztításához, akkor tartsa be a minimális szűrési időt, hogy védje a vizet használók/úszók egészségét - a minimális szűrési idő a helyi egészségügyi előírások függvénye.
- A termék telepítéséhez csak a gyártó által szállított vagy meghatározott anyagok használhatók.
- Alapvető fontosságú, hogy meggyőződjön arról, hogy a szívókimenetek nincsenek akadályozva.
- A szűrőrendszeren végzendő karbantartási műveletek idejére tanácsos leállítani a szűrést.
- Rendszeresen ellenőrizze, hogy a szűrő nem tömődött-e el.
- Tanácsos hetente ellenőrizni, hogy nincs-e szükség visszamosásra vagy

tisztításra. A medencevíz tisztaságának biztosításához minimum napi 8 órás szűrési üzemidő szükséges.

- Alapvető fontosságú, hogy a sérült részeket vagy szerelvényeket a lehető leghamarabb lecserélje. Csak a termék forgalmazásáért felelős személy által jóváhagyott részeket használjon.
- Minden szűrőt és szűrőközeget rendszeresen ellenőrizni kell, hogy nem gyűlt-e fel törmelék, ami akadályozná a szűrés megfelelőségét. Az esetlegesen már használt hűtőközeg ártalmatlanításának szintén meg kell felelnie a vonatkozó jogszabályoknak.
- Vegye figyelembe az útmutatóban foglalt összes biztonsági előírást és javaslatot. Amennyiben a szivattyúval, illetve bármely keringtetésért felelős eszközzel kapcsolatban kétsége merülne fel, forduljon képesített telepítőhöz, illetve a gyártóhoz/importőrhöz/forgalmazóhoz. A vízkeringtetési rendszernek meg kell felelnie az uniós és a nemzeti, illetve helyi jogszabályoknak – különösen az elektromosság vonatkozásában. A szelephelyzet, szivattyúméret, rácsméret módosítása hatással lehet az áramlásra, ezáltal a szívási sebesség megnőhet.
- A termék nem kereskedelmi célú felhasználásra készült.

Alaposan olvassa el, és tegye félre az útmutatót, hogy a jövőben bármikor belenézhesen.

ŐRIZZE MEG EZT AZ ÚTMUTATÓT

HULLADÉKKEZELÉS



Az áthúzott kerek szemétkosár jelentése:

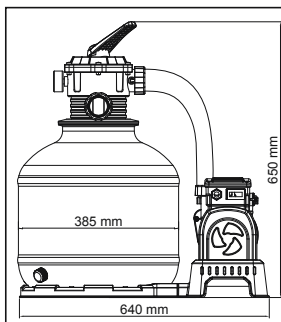
Ne dobja ki az elektromos berendezést a többi háztartási hulladékkal együtt, számukra használja az e célra rendszeresített külön gyűjtőládákat.

A helyi önkormányzatnál kérhet információt a használt eszközök leadásának módjáról.

Amennyiben az elektromos berendezések szemétködrökbe vagy szeméttelpekre kerülnek, a bennük lévő veszélyes anyagok a talajvízbe szivároghatnak és ily módon a táplálékláncba kerülhetnek, károsítva egészséget vagy közérzetét.

Ha régi berendezéseit újakra cseréli, a kiskereskedőnek jogi kötelessége az Ön által leadott elhasznált régi berendezésnek az ártalmatlanítás céljából való térítésmentes átvétele.

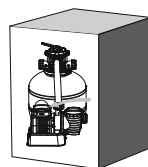
SPECIFICATIONS



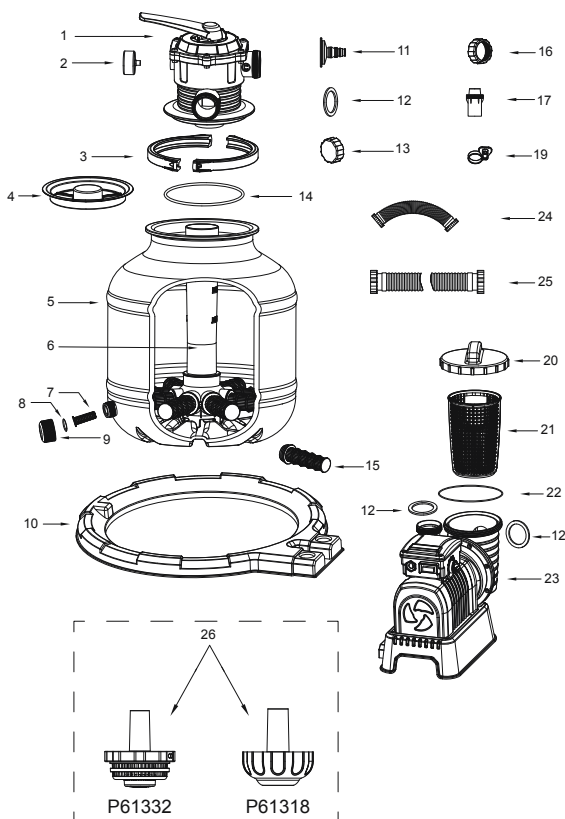
Szűrőátmérő:	385 mm
Tényleges szűrőfelület:	0.11 m ² (1.18 ft ²)
Max. üzemi nyomás:	1.59 Bar (23 PSI)
Homokszűrő üzemi nyomás:	<0.55 Bar (8 PSI)
Max. vízhőmérséklet:	35°C
Homok:	Nincs a csomagban
Szemcseméret:	#20 kvarchomok, 0.45-0.85 mm
Homok befogadóképesség:	Nagyjából 36 kg

A HOMOKSZŰRŐ ALKATRÉSZEINEK ÁTTEKINTÉSE

A homokszűrő összeszerelése előtt, kérjük, szánjon rá néhány percet, hogy megismerkedjen az alkatrészekkel.



A



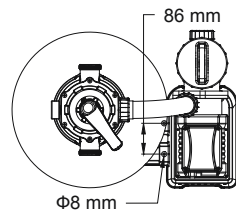
SORSZÁM	ALKATRÉSZ SZÁMA	A
1	P03831	1
2	P61138ASS16	1
3	P03832	2
4	P61209ASS16	1
5	P03843	1
6	P03844	1
7	P61211ASS16	1
8	P6581ASS16	1
9	P6580ASS16	1
10	P03845	1
11	P6614ASS16	1
12	P6029ASS16	5
13	P03830	1
14	P61214ASS16	1
15	P61210ASS16	8
16	P03829	1
17	P6916ASS16	2
19	P6124ASS16	2
20	P6561ASS16	1
21	P6562ASS16	1
22	P6563ASS16	1
23	P03814(EU)/P03816(GB)	1
24	P03849	1
25	P6518ASS16	2
26	P61322ASS16	1
	P61318ASS16	1

Összeszerelés (Ehhez csavarhúzó szükséges.)

1. Óvatosan vegye ki az összes tartozékot a csomagból, és ellenőrizze, hogy nem sérült-e meg valami. Ha a berendezés sérült, azonnal értesítse az üzletet, ahol a berendezést vásárolta.

2. A homokszűrőt szilárd, egyenletes talajon, lehetőleg betonlapon kell elhelyezni. A homokszűrőt úgy helyezze el, hogy valamennyi kimenet és a szabályozószelep könnyen hozzáférhető legyen az üzemeltetéshez, javításhoz és a téliesítéshez.

3. Az EN60335-2-41 TEST szabvány értelmében a homokszűrőt a használata előtt függőleges helyzetben a talajhoz vagy stabil, fából vagy betonból készült talpazathoz kell erősíteni. hogy a homokszűrő esetleges feldőlését megelőzzék. A teljesen összeszerelt homokszűrő súlya meghaladja a 18kg-ot. A szerelőnyílások átmérőjének 8mm nagyságúnak kell lennie és azoknak egymástól 86mm távolságra kell elhelyezkedniük. A homokszűrőnek a talpazathoz való rögzítéséhez használjon két darab maximum 8mm átmérőjű csavart anyacsavarral.



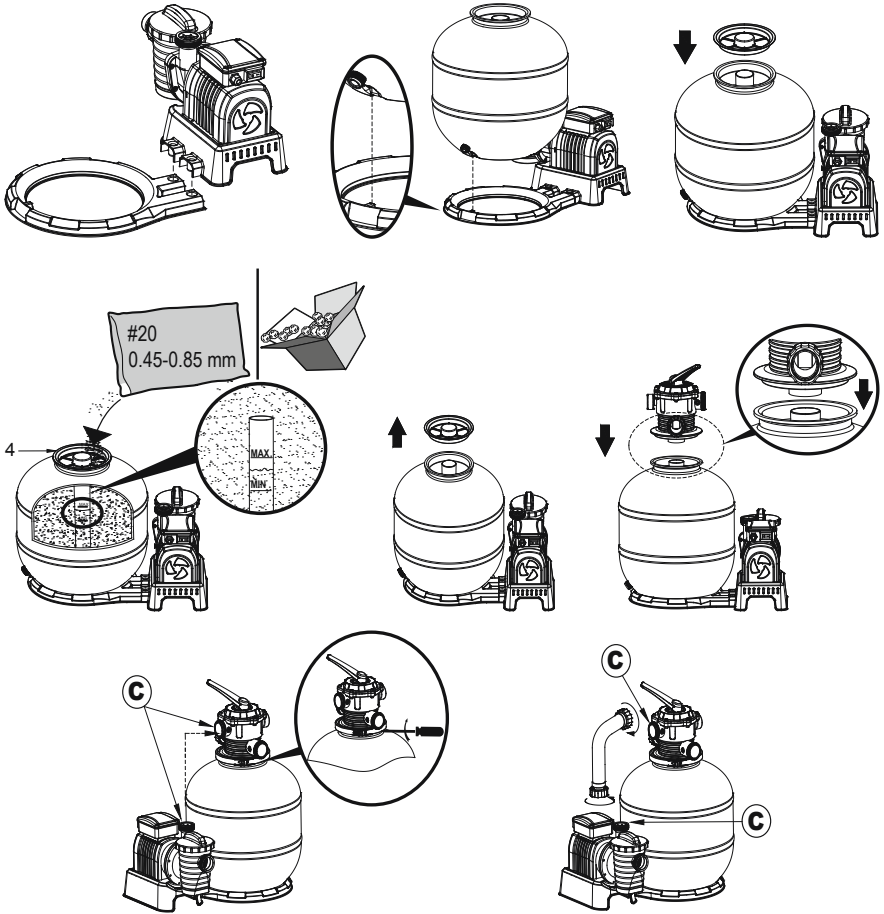
Töltsön be medencei minőségű szűrőhomokot/Flowclear™ Polysphere terméket.

FIGYELEM: Kizárólag különleges, mészkő- és agyagmentes szűrőhomokot használjon: #20 kvarchomok, szemcseátmérő: 0,45-0,85mm, kb. egy 36kg-os zsák elegendő. Ha nem a javasolt méretű szűrőhomokot használja, a szűrés teljesítmény rosszabb lehet, a homokszűrő pedig tönkremehet, ami a garancia elvesztésével jár.

FIGYELEM: Elkerülhető az uszadékfogó megrongálódása, ha a homok feltöltésekor az alsó tartályt annyira feltölti vízzel, hogy az ellepje a csatlakozó perselyen található uszadékfogót.

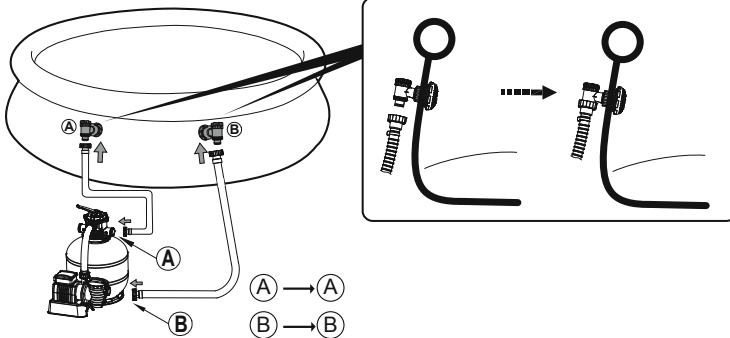
FIGYELEM: A homok/Flowclear™ Polysphere nem képezi a csomag részét.

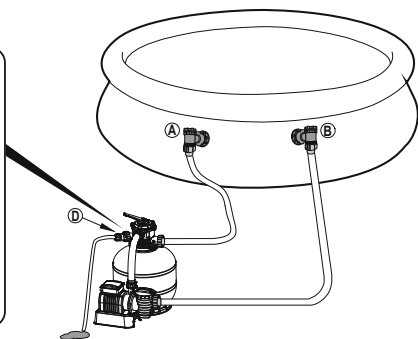
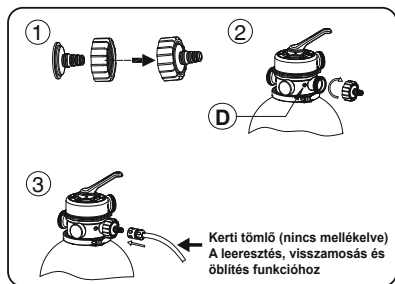
FIGYELEM: Használjon 28 g (0,06 font) Flowclear™ Polysphere terméket 1 kg (2,20 font) homok helyettesítéséhez.



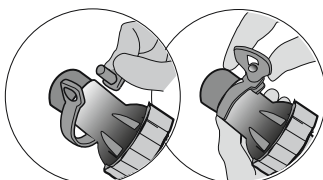
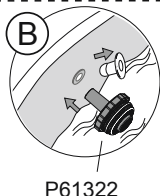
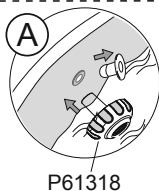
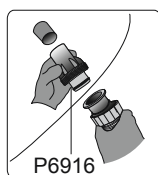
Csatlakoztatás a medencéhez

1



2

32 mm-es (1,25 in) szeleppel ellátott medencék esetén



ÁLLJ!

Bekapcsolás előtt, kérjük, alaposan olvassa el a használati útmutatót.

HASZNÁLAT

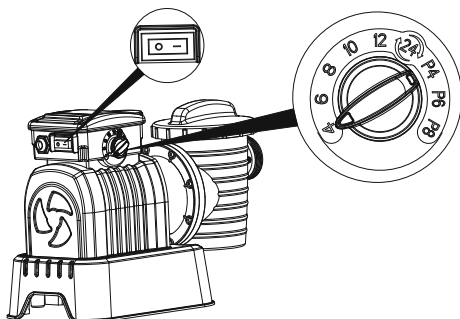
Időzítő

1. Csatlakoztassa a tápforráshoz, állítsa a tápkapcsolót „BE” (-) pozícióba. A homokszűrő azonnal működésbe lép.
2. A tápkapcsolót állítsa „KI” (0) pozícióba. A homokszűrő működése azonnal leáll.
3. Bekapcsolás után beállíthatja az üzemidőt, a pihenőidőt és a ciklusidőt a gomb megfelelő pozícióba forgatásával. További részletek ügyében lásd a táblázatot.
4. Amikor az időzítógombot új pozícióba állítja, a szűrő előző ciklusa automatikusan leáll, hogy az új ciklus kezdetét vehesse.

5. A szűrő minden egyes bekapcsolásakor vagy újraindításakor új ciklus veszi kezdetét az időzítőgomb pozícióját alapul véve.

MEGJEGYZÉS:

Amennyiben a gomb a 24 óra pozícióban (24) található, a homokszűrő folyamatosan működik pihenőidőszak nélkül.



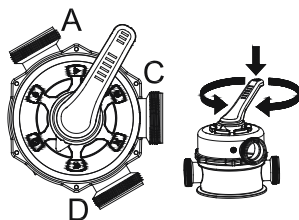
Gomb pozíciója	Üzemidő (ó)	Pihenőidő (ó)	Ciklusidő (ó)
4	4	20	24
6	6	18	24
8	8	16	24
10	10	14	24
12	12	12	24
24	24	0	24
P4	4	4	8
P6	6	6	12
P8	8	8	16

SZABÁLYOZÓ SZELEP

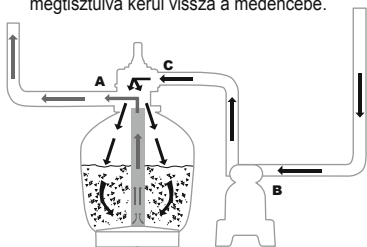
FIGYELMEZTETÉS: A berendezés megrongálódása és az esetleges balesetek elkerülése érdekében húzza ki a konnektorból a homokszűrő szivattyút, ha állítani kíván a szabályozó szelepen. Ha a szelepet a szivattyú működése közben állítja át, a szabályozó szelep tönkremehet, ami sérülést vagy anyagi kárt okozhat.

A szabályozó szelep használata

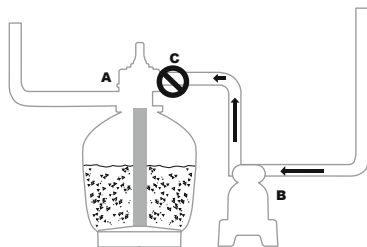
Nyomja le a szabályozó szelep karját, és forgassa a kívánt állásba.



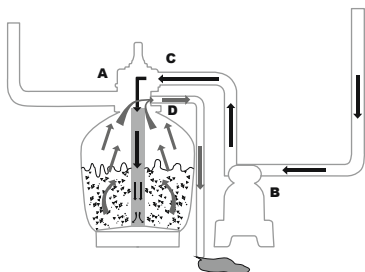
▶ Szűrés: Ez a funkció a medence vízének szűrésére szolgál, és a szelep használat 99%-a során ebben az állásban marad. A vizet a szivattyú keresztülpumpálja a homokon, majd az megtisztulva kerül vissza a medencébe.



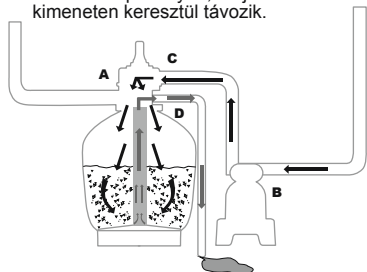
✗ Elzárás: Ezzel a funkcióval zárhatjuk el a vízáramlást a homokszűrő és a medence között.



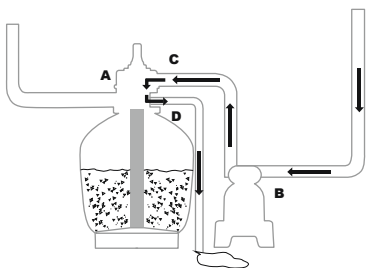
◀ Utánöblítés: Ez a funkció a homokszűrő tisztítására szolgál; a vizet a szivattyú keresztülyomja a csatlakozó perselyen, felfelé a homokágyon, majd az a D kimeneten keresztül távozik.



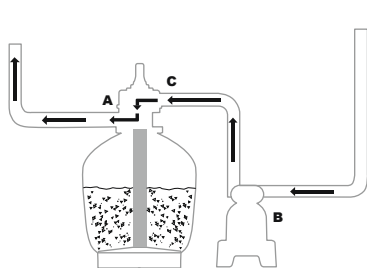
💧 Öblítés: Ez a funkció az első indításnál szükséges és a későbbi tisztításra, illetve az utánöblítést követően a homokágy elegyengetésére szolgál; a vizet a szivattyú keresztülyomja a homokágyon, felfelé a csatlakozó perselyen, majd az a D kimeneten keresztül távozik.



☹ Leeresztés: Ez a funkció a medence vízének leeresztésére szolgál; a víz itt sem kerül be a homokszűrőbe, hanem a D kimeneten át távozik, és nem kerül vissza a medencébe.



↻ Forgatás: Ez a funkció a homokszűrő megkerülésével forgatja a medence vizét; ezt a funkciót a szűrő meghibásodása esetén használjuk a szennyeződések összegyűjtésére a szűrőrácsokon.



FIGYELEM:

- Fontos, hogy a szennyvíz-elvezetéssel kapcsolatos megoldások megfeleljenek a vonatkozó önkormányzati, illetve országos előírásoknak. Ne eressze ki a vizet olyan helyen, ahol az túlfolyást vagy egyéb károsodást okozhat.
- Ha a szabályozószelepet Utánöblítés, Öblítés vagy Leeresztés helyzetbe állítjuk, a víz a szabályozószelep D kimenetén át távozik.
- Ne csatlakoztassa a konnektorba és ne működtesse a homokszűrőt, ha a

szabályozószelep az Elzárás helyzetben van, mert az súlyosan megrongálhatja a berendezést.

- Ne hagyja a szabályozó szelepet két funkció közötti állásban, mert az szivárgáshoz vezet.
- A vízszivárgás megakadályozása érdekében a szűrő vagy a keringtetés funkció működtetése előtt csavarja fel a D csatlakozó sapkáját a vezérlőszelep D csatlakozójára.

Légtelenítés

A légtelenítéshez a vezérlőszelepet lenyomva tartva várja meg, míg a D csatlakozón víz nem folyik ki.

MEGJEGYZÉS: Fontos, hogy ezt az eljárást a szivattyú minden egyes téliesítést, karbantartást és a homokágy visszamosását követő indításakor elvégezze.

TEENDŐK AZ ELSŐ ALKALOMMAL VALÓ HASZNÁLAT ESETÉN



A Visszamosás és Öblítés funkció a szivattyú első használatra való felkészítésére, illetve a homok átmosására használatos.

VIGYÁZAT: NE FUTTASSA SZÁRAZON A HOMOKSZŰRŐT

1. Nyomja le a vezérlőszelep markolatát, és forgassa el a Visszamosás funkcióállásába.
2. Csatlakoztassa, majd 3 ... 5 percre, vagy amíg a víz tisztán nem folyik, kapcsolja be a homokszűrőt.
3. Kapcsolja ki a homokszűrőt, és állítsa a vezérlőszelepet öblítés helyzetbe.
4. 1 percre kapcsolja be a homokszűrőt. Ezáltal a víz vissza lesz keringtetve a homokszűrőn, és le lesz ürítve a D csatlakozón keresztül.
5. Kapcsolja ki a homokszűrőt. Állítsa a vezérlőszelepet zárt helyzetbe.
6. Szükség esetén töltsze szintra a medencevizet.

FONTOS: Ez az eljárás eltávolítja a medencében lévő, lecserélni kívánt vizet.

Azonnal kapcsolja ki a homokszűrőt, ha a vízszint a medence bemeneti és kimeneti szelepelei közelében van.

1. A homokszűrő most már használatra kész. Állítsa a szabályozószelepet Szűrés állásba.

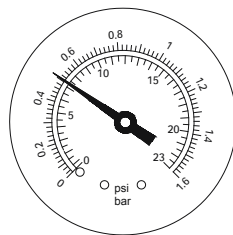
FIGYELEM: Az áramütés elkerülése érdekében törölje szárazra saját magát és a homokszűrőt.

FONTOS: A művelet előtt győződjön meg arról, hogy a tartály stabilan áll a talapzatán és megfelelően van a szivattyúhoz csatlakoztatva.

2. Indítsa be a homokszűrőt.

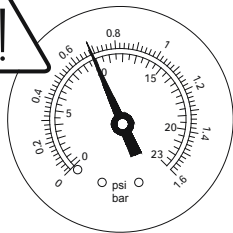
FIGYELEM: A homokszűrő megkezdte a szűrőciklust. Ellenőrizze, hogy a víz visszafolyik-e a medencébe, és ügyeljen a nyomásmérő által jelzett szűrőnyomásra.

A homokszűrő ajánlott nyomása üzem közben 0.56Bar (8.0PSI) érték alatt van.



A homokszűrő karbantartása

VIGYÁZAT: A karbantartási munkálatok elkezdése előtt minden éppen kapcsolja ki és válassa le a homokszűrőt, ellenkező esetben súlyos sérülés vagy halál kockázata áll fenn. A kosz homokszűrőben való felgyülemlésével párhuzamosan a nyomásmérő által mért nyomás növekedni fog. Ha a nyomásmérő 0,62 bart (9,0 psi) vagy annál nagyobb értéket mutat, illetve a medencébe menő vízáramlás túlságosan kicsi, ideje megtisztítani a homokot. A homokágy tisztítását az előzőekben a **„Visszamosás és öblítés” c. részben részletezett módon végezze.**



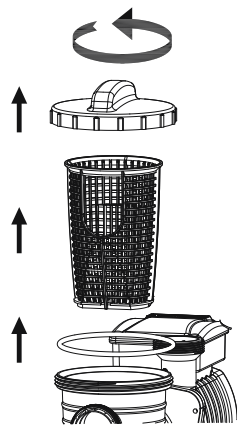
FIGYELEM:

1. A nyomásmérő csak karbantartási célt szolgál, és a nyomásmérő értéke csak tájékoztató érték, a mérő nem használható precíziós műszerként.
2. Javasoljuk, hogy a medence használatától függően legfeljebb havi egyszer tisztítsa meg a homokágyat. Ne tisztítsa a homokot túl gyakran.

A Szűrőszita tisztítása

1. Húzza ki a homokszűrő csatlakozó dugóját a konnektorból és az Ellenőrző szelepet állítsa a Zárt funkcióra.
2. Tegyen a törmelékzsűrők helyére záródugókat, hogy megakadályozza a víz elfolyását.
3. Vegye le a Szűrőszita zárókupakját, azt kicsavarva.
4. Vegye ki a Szűrőszitát, távolítsa el a szennyeződéseket.
5. Tegye vissza a Szűrőszitát a helyére. Ügyeljen arra, hogy a Szűrőszita nyílása középen legyen.
6. Ellenőrizze, hogy a Tömítőgyűrű a megfelelő helyen legyen. Csavarja vissza a Szűrőszita zárókupakját.
7. Távolítsa el a záródugókat, és helyezze be a törmelékzsűrőket.

FIGYELEM: A Szűrőszitát bizonyos időközönként ki kell üríteni és kitisztítani. A szennyezett és eldugult szűrőszita a homokszűrő hatékonyságát csökkenti.



A medencevíz szintjének lejjebb engedése, illetve a medencevíz leeresztése

1. Kapcsolja ki a homokszűrőt, és állítsa a vezérlőszelepet leeresztés helyzetbe.
2. Válassza le a tömlőt a medence A csatlakozójáról és a homokszűrő A csatlakozójáról, majd csatlakoztassa a D csatlakozóhoz.
3. A szűrő bekapcsolásához és a medencevíz leeresztéséhez kapcsolja be a homokszűrőt.

FIGYELMEZTETÉS: NE MŰKÖDTESSE SZÁRAZON A HOMOKSZŰRŐT.

Téliesítés és tartós tárolás


A téli fagynak kitett helyiségekben elhelyezett medencei berendezéseket a károsodásuk megelőzése érdekében téliesíteni kell.

Ha hagyja, hogy a víz megfagyjon, a jég tönkre fogja tenni a homokszűrőt, a garancia pedig érvényét veszti.

1. Mossa vissza a homokszűrőt.
2. A medence használati utasításának megfelelően eressze le a vizet a medencéből.
3. Csavarja le a leeresztőszelep sapkáját a tartály alján, és engedje le a maradék vizet.
4. Szerelje le a két Tömlőt a medencéről és a homokszűrőről.
5. Öntse ki az egész homokot a tartályból és az összes alkatrészt szárítsa meg.
6. A homokszűrőt száraz helyen, gyermekektől elzárva tárolja.

HIBAELHÁRÍTÁS		
Problémák	Lehetséges okok	Megoldások
Homok áramlik a medencébe	<ul style="list-style-type: none">- A homok szemcsemérete túl kicsi- A homokszűrő leállítása nélkül mozgassa a vezérlőszelepet a visszamosás helyzetből a szűrés helyzetbe- A homokszint túl magas- Az uszadékszűrő törött	<ul style="list-style-type: none">- 20-as számú, 0,45 ... 0,85 mm-es szilikahomok használata javasolt- A vezérlőszelep minden egyes beállításakor állítsa le a homokszűrőt- Ellenőrizze, hogy a homokszint a gyűjtőpersely „MAX” és „MIN” jelölése közt legyen- Cserélje le az uszadékszűrőt
Nincs vízáramlás	<ul style="list-style-type: none">- A záródugók nem lettek eltávolítva- A légtelenítés nem lett elvégezve- A vezérlőszelep zárt helyzetbe lett állítva- A szűrő eltömődött- A homokszűrő eltört	<ul style="list-style-type: none">- Távolítsa el a záródugókat, és helyezze be a törmelékiszűrőket- Légtelenítsen- Állítsa a készüléket szűrőfunkcióra- Tisztítsa meg a szűrőt- Hívja ki a márkaszervizt
Túlzott szűrőnyomás	<ul style="list-style-type: none">- A szűrő piszkos- Elvzikkövesedett homokágy- Elégtelen visszamosás- A nyomásmérő eltört	<ul style="list-style-type: none">- Visszamosás- Ellenőrizze a homokot, és szükség esetén cserélje le- Végezzen visszamosást addig, amíg a kifolyó víz tiszta nem lesz- Cserélje le a nyomásmérőt
A vezérlőszelep szivárog a D csatlakozóból	<ul style="list-style-type: none">- A vezérlőszelep két funkció közé lett állítva- A tömítés törött	<ul style="list-style-type: none">- Állítsa a készüléket egy funkcióra- Cserélje le a tömítést
A csatlakozó szivárog	<ul style="list-style-type: none">- A csatlakozók alátétgyűrűje nincs a helyén- A csatlakozók alátétgyűrűje törött- Laza tömlők	<ul style="list-style-type: none">- Tegye vissza az alátétgyűrűt- Cserélje le az alátétgyűrűt- Húzza meg őket

SANDFILTER ÄGARMANUAL

Besök Bestway YouTube kanal 



SÄKERHETSANVISNINGAR

VARNING

VIKTIGA SÄKERHETSANVISNINGAR LÄS OCH FÖLJ ALLA SÄKERHETSANVISNINGAR

Då du installerar och använder denna elektriska utrustning, ska du alltid följa grundläggande säkerhetsåtgärder, inklusive följande:

- Pumpen får sin strömförsörjning av en isoleradtransformator eller genom en jordfelsbrytare (RCD) som har en fastställd tillslagsström som inte överskrider 30 mA.
- Strömkällan på väggen ska vara minst 4 m ifrån poolen.
- Apparaten måste förses med ström från en jordad strömkälla.
- **RISK FÖR ELEKTRISK STÖT** - Pumpen får inte användas medan någon är i poolen! Förbjud tillgång till poolen om sandfiltret inte fungerar.
- **BRÄNN INTE KABELN.** Placera kabeln så att den inte utsätts för gräsklippare, häcktrimmers och annan utrustning.
- För att minska risken för elektrisk stöt, byt omedelbart ut en skadad kabel
- Om strömkabeln är skadad, måste den ersättas av tillverkaren, dennes återförsäljare eller liknande kvalificerade personer för att undvika risk för fara.
- Förlängningssladdar kan inte användas.
- Risk för elektrisk stöt. Det är farligt att använda sandfiltret med en felaktig strömförsörjning och det leder till permanenta skador på sandfiltret.
- Ta inte bort jordningsstiftet och ändra inte kontakten på något sätt. Använd inte adapters. Konsultera en kvalificerad elektriker för eventuella frågor i samband med kontakter eller jordning.
- Hantera sandfiltret med omsorg. Dra eller bär inte sandfiltret genom att hålla i strömkabeln. Dra aldrig ut en kontakt ur uttaget genom att rycka i kabeln. Skydda kabeln mot avskavningar.

Utsätt aldrig sandpumpen för vassa föremål, olja, rörliga delar eller värme.

- Koppla alltid bort denna product från eluttaget innan du avlägsnar, rengör, utför service eller reglerar apparaten.
- Koppla inte i eller ur apparaten med våta händer.
- Koppla alltid ur apparaten:
 - På regniga dagar
 - Innan rengöring eller annat underhåll
 - Om den lämnas obevakad under semestrar
- När apparaten ej används under en längre tid, såsom under vintern, ska poolsetet demonteras och förvaras inomhus.
- **FÖRSIKTIGT:** Läs instruktionerna innan apparaten tas i bruk och före varje installation/montering.
- Säker förvaring av instruktionerna. För återuppbyggnad av poolsetet, vänligen kontrollera instruktionerna varje gång.
- Om du saknar instruktionerna, vänligen kontakta Bestway eller leta upp den på hemsidan: www.bestwaycorp.com
- Elektriska anläggningar måste följa nationella anslutningsföreskrifter. Rådfråga en behörig elektriker om du har frågor.

FÖRSIKTIGT: Detta sandfilter ska endast användas för pooler som kan förvaras. Använd den inte för permanent installerade poolar. En pool som kan förvaras är konstruerad så att den kan demonteras lätt för förvaring och sedan återmonteras för användning. En permanent installerad pool är konstruerad på eller i marken eller i en byggnad där den inte lätt kan demonteras för förvaring.

- Denna apparat kan användas av barn från 8 års ålder och personer med nedsatt fysisk, sensorisk eller mental kapacitet eller brist på erfarenhet och kunskap om de är under uppsyn eller har instruerats gällande apparatens säkra användande och förstår farorna i samband med användandet. Barn bör inte leka med apparaten. Rengöring och underhåll skall inte göras av barn utan tillsyn. (För EU)
- Denna apparat är ej avsedd att användas av personer (däribland barn), med begränsad fysisk, mental eller sensoriskt förmåga, eller bristande erfarenhet och kunskap, om inte denne har under uppsyn och instruktion om apparatens användning av en person som är ansvarig för dennes säkerhet. Barn bör hållas under

- uppsyn så de ej leker med apparaten. (För länder utanför EU)
- Rengöring och underhåll måste utföras av en vuxen, 18 år eller äldre, som är bekant med farorna med elektriska stötar.

OBS:

- Placera sandfiltret på ett statigt och jämnt underlag. Se till att sandfiltret är minst 2 meter från poolen. Håll avståndet så långt det är möjligt.
- Var noga med poolens och sandfiltrets placering så att en lämplig ventilation, tömning och åtkomst för rengöring finns tillgänglig. Placera aldrig sandfiltret på en plats där den kan samla vatten eller på en stig där många människor går.
- Kontakten ska vara tillgänglig efter poolens installation. Sandfiltrets kontakt ska vara på ett avstånd av minst 3,5m från poolen.
- Väderförhållanden kan påverka sandfiltrets prestanda och livslängd; vidta lämpliga åtgärder för att skydda sandfiltret mot onödigt slitage som kan uppstå under perioder av kyla eller varmt väder eller vid långvarig kontakt med solen.
- Undersök och kontrollera att alla sandfiltrets beståndsdelar finns närvarande före användning. Informera Bestway på kundserviceadressen som anges i bruksanvisningen om eventuella fabrikationsfel eller delar som saknades vid inköpstillfället.
- Det är viktigt att alla slitna delar byts ut så snart som möjligt. Använd endast delar som tillverkaren har godkänt.
- Låt inte barn eller vuxna luta sig eller sitta på apparaten.
- Tillsätt inte kemikalier i sandfiltret.
- Om kemiska produkter används för att rena poolens vatten, rekommenderar vi att följa den minimala filtreringstiden för att skydda badarnas hälsa enligt hälsoföreskrifterna.
- Bara det medium som tillhandahålls eller specificeras får användas med produktinstallationen.
- Det är nödvändigt att kontrollera att sugöppningarna inte är tilltäppta.
- Det är rekommenderat att stoppa filtreringen under underhållsarbeten på filtreringssystemet.
- Regelbundet kontrollera tilltäppningsnivån på filtret.
- En veckokontroll för backspolning eller rengöring rekommenderas. En minimal daglig filtreringstid på 8 timmar

- rekommenderas för att garantera rent poolvatten.
- Det är nödvändigt att byta skadat element eller skadade element så fort som möjligt. Använd bara delar som är godkända av den person som ansvarar för att släppa ut produkten på marknaden.
 - Alla filter och filtermedium ska regelbundet inspekteras för att garantera att det inte finns någon uppbyggt slam som förhindrar bra filtrering. Avyttring av använt filtermedium ska ske i enlighet med tillämpliga regler/tillämplig lagstiftning.
 - Läkta alla säkerhetskrav och rekommendationer som beskrivs i manualen. Kontakta en kvalificerad installatör eller tillverkaren/importören/distributören om du är osäker på pumpen eller någon av cirkulationsanordningarna. Installationen av vattencirkulationen ska överensstämma med Europeiska och nationella/lokala bestämmelser, särskilt när det handlar om elektriska frågor. Ändringar på ventilens position, pumpens eller gallrets storlek kan orsaka ett förändrat flöde och sughastigheten kan ökas.
 - Denna produkt är inte avsedd för kommersiellt bruk.

Läs bruksanvisningen noga och spara den för framtida bruk.

SPARA DESSA ANVISNINGAR

KASTA BORT PUMPEN



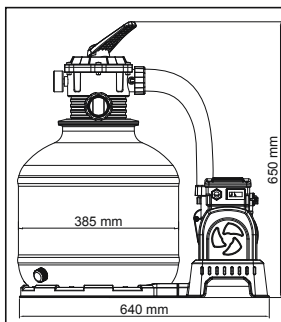
Förklaring av den överkorsade soptunnan med hjul:

Kasta inte bort elektriska apparater tillsammans med vanliga hushållssopor, utan använd anläggningar för källsortering. Kontakta dina lokala myndigheter för information om de insamlingssystem som finns tillgängliga.

Om du kastar bort elektriska apparater på soptimmar eller depåer, kan farliga ämnen läcka ned i grundvattnet och komma in i livsmedelskedjan, vilket kan skada din hälsa och välbefinnande.

När du ersätter gamla apparater med nya, är återförsäljaren skyldig att ta emot din gamla apparat för bortskaffning gratis.

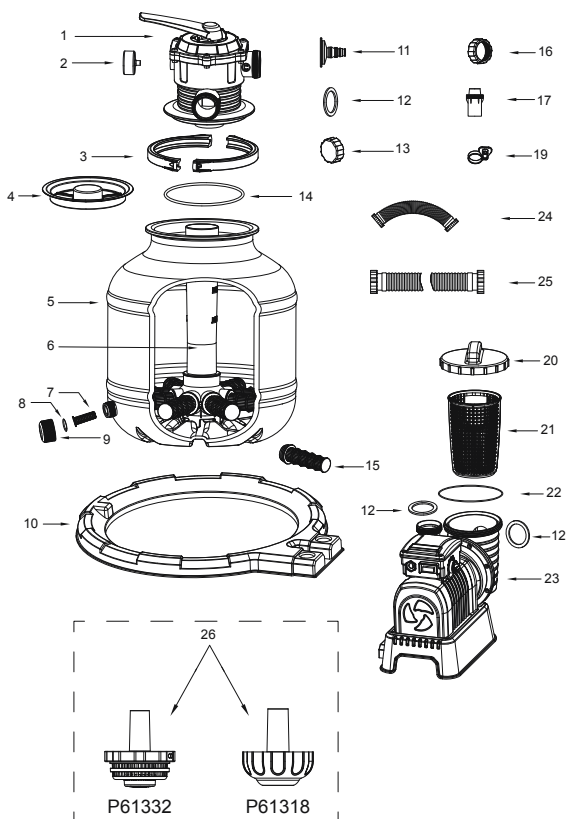
SPECIFICATIONS



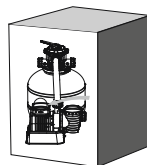
Filtrets diameter:	385 mm
Faktiskt filterområde:	0.11 m ² (1.18 ft ²)
Max. driftstryck:	1.59 Bar (23 PSI)
Sandfiltrets driftstryck:	<0.55 Bar (8 PSI)
Max. vattentryck:	35°C
Sand:	Medföljer inte
Sandkornens storlek:	#20 kiseldioxidsand, 0.45-0.85 mm
Sandkapacitet:	Cirka 36 kg

REFERENSÖVERSIKT ÖVER DELARNA

Innan du monterar sandfiltret, ska du ägna några minuter åt att bekanta dig med sandfiltrets delar.



A



REF.NR.	RESERVDELSNR.	A
1	P03831	1
2	P61138ASS16	1
3	P03832	2
4	P61209ASS16	1
5	P03843	1
6	P03844	1
7	P61211ASS16	1
8	P6581ASS16	1
9	P6580ASS16	1
10	P03845	1
11	P6614ASS16	1
12	P6029ASS16	5
13	P03830	1
14	P61214ASS16	1
15	P61210ASS16	8
16	P03829	1
17	P6916ASS16	2
19	P6124ASS16	2
20	P6561ASS16	1
21	P6562ASS16	1
22	P6563ASS16	1
23	P03814(EU)/P03816(GB)	1
24	P03849	1
25	P6518ASS16	2
26	P61322ASS16	1
	P61318ASS16	1

Montering (Du kommer att behöva en skruvmejsel.)

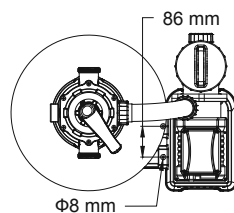
1. Ta försiktigt bort alla delar ur förpackningen och kontrollera att ingen del är skadad.

Om utrustningen är skadad, ska du omedelbart informera återförsäljaren du köpte utrustningen från.

2. Sandfiltret ska placeras på ett stabilt och jämnt underlag, helst ett

betongunderlag. Placera sandfiltret så att portar och kontrollventiler är tillgängliga för användning, service och vinterbehandling.

3. EN60335-2-41 TEST-standarderna kräver att sandfiltret är vertikalt installerat på marken eller på en piedestal av trä eller cement innan du använder det för att förhindra att sandfiltret plötsligt faller. Ett helt monterat sandfilter överskrider 18kg. Monteringshålen ska vara 8mm i diameter och vara på 86mm avstånd. Använd två muttrar med max. 8mm i diameter för att fästa sandfiltret vid piedestalen.



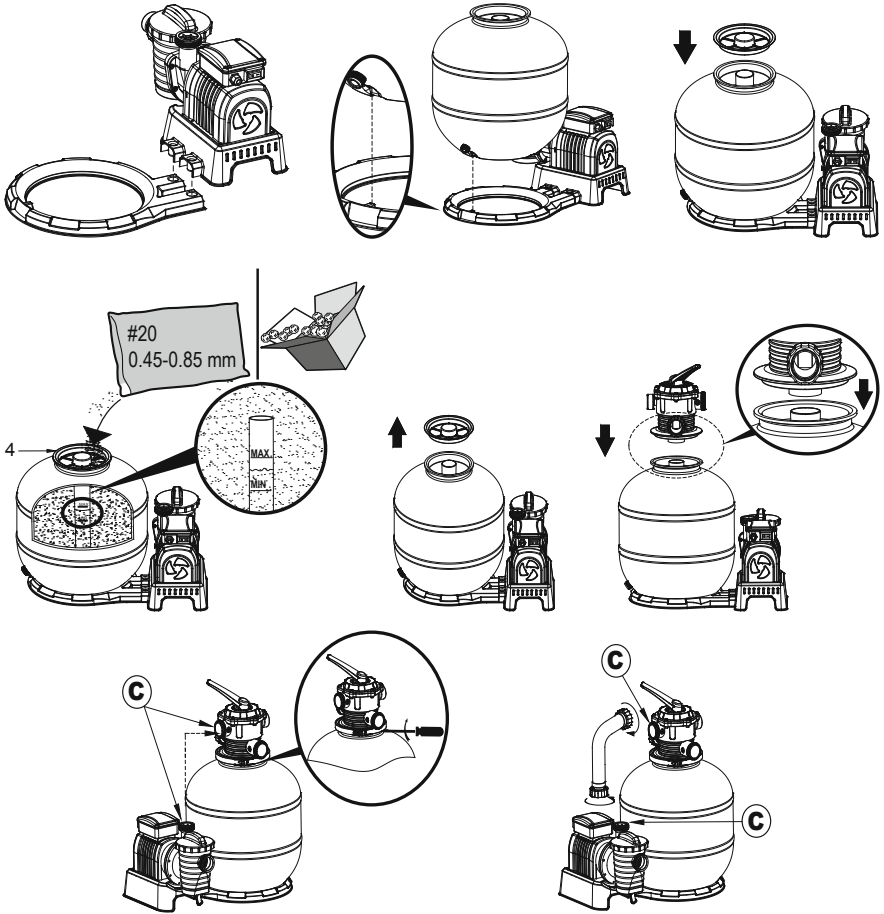
Fyll på med poolfiltersand/Flowclear™ Polysphere.

OBS: Använd endast speciell filtersand för pooler, utan kalksten eller lera: #20 Kiseldioxidsand 0,45-0,85mm, en 36kg påse bör räcka. Om du inte använder den rekommenderade filtersandstorleken kan filtreringsprestandan minska eller sandfiltret skadas och därigenom garantin upphävas.

OBS: För att undvika att skada skumningsenheten då du tillsätter sand, ska du hälla lite vatten i botten tanken för att sänka ned skumningsenheten på samlingsenhetens tandade hjul.

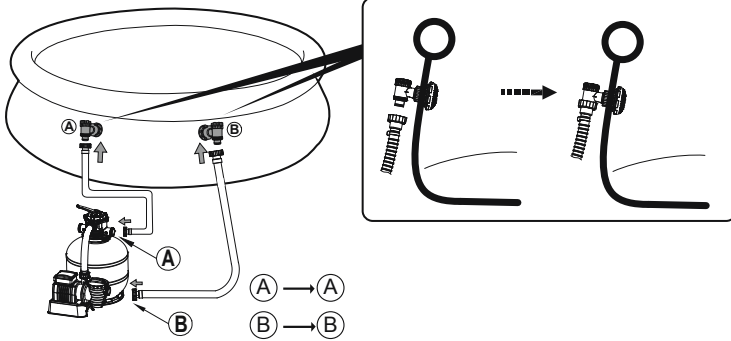
OBS: Sand/Flowclear™ Polysphere ingår inte.

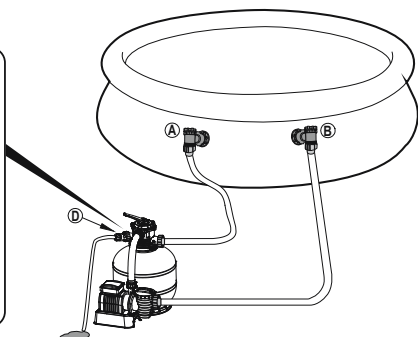
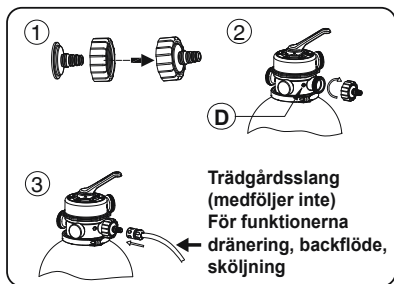
OBS: Använd 28 g (0,06 lbs) Flowclear™ Polysphere som ersätter 1 kg (2,20 lbs) sand.



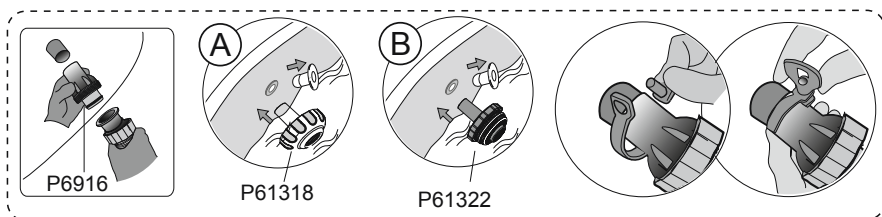
Anslut till poolen

1



2

För pool med 32mm(1,25tum) ventil


STOPP

Innan du sätter på pumpen, vänligen läs bruksanvisningen noggrant.

ANVÄNDNING

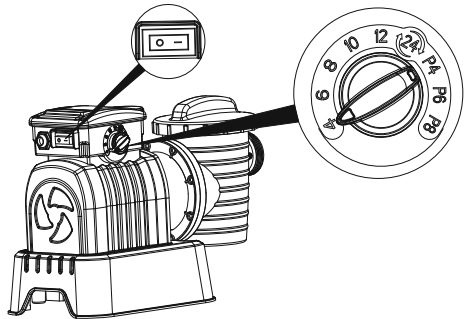
Timer

1. Anslut till strömkälla, ställ brytaren på läget "PÅ" (-). Sandfiltret kommer att börja arbeta omedelbart. Ställ brytaren på läget "AV" (0). Sandfiltret kommer att sluta arbeta omedelbart.
2. Efter igångsättning, kan du ställa in arbetstid, vilotid, och cykeltid genom att vrida knoppen till önskad position. Se tabellen nedan för ytterligare detaljer.
3. När timer-knoppen är flyttad till ny position, raderas den tidigare cykeln automatiskt och en ny cykel kan börja.

4. Varje gång filtret är påslaget eller omstartat kommer en cykel att börja baserat på timer-knoppens position.

UPPMÄRKSAMMA:

Om knoppen är inställd på 24-timmars position (24), kommer sandfiltret arbeta kontinuerligt utan vilotid.



Knopp-lägePosition	Arbete	Vilotid(H)	Cykeltid period(H)
4	4	20	24
6	6	18	24
8	8	16	24
10	10	14	24
12	12	12	24
24	24	0	24
P4	4	4	8
P6	6	6	12
P8	8	8	16

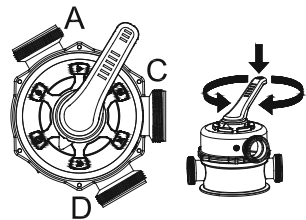
Översikt över kontrollventilen

WARNING: För att förhindra skador på utrustningen och möjliga personskador, ska du koppla bort sandfilterpumpen för att ändra kontrollventilens function varje gång.

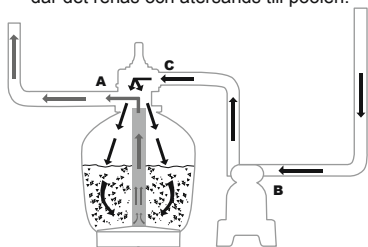
Att ändra ventilens lägen medan pumpen är igång kan leda till skador på kontrollventilen, som i sin tur kan leda till personskador eller materiella skador.

Att använda kontrollventilen

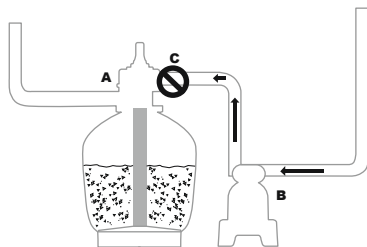
Tryck ned kontrollventilen och vrid till önskad funktion.



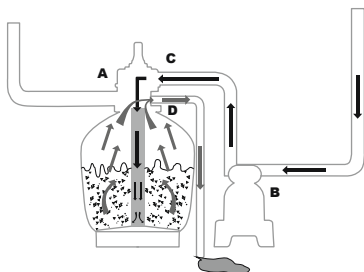
► Filter: Denna funktion används för att filtrera poolvattnet och ska användas i 99% av tiden. Vattnet pumpas genom sandfiltret där det renas och återsänds till poolen.



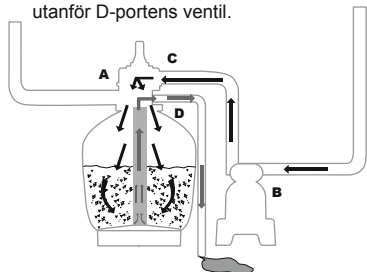
✕ Stängt: Denna funktion stoppar vattenflödet mellan sandfiltret och poolen.



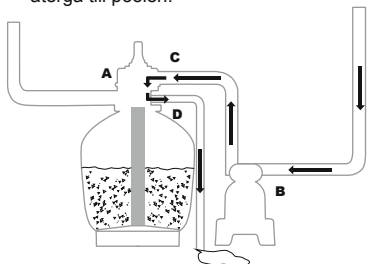
◀ Spolning: Denna funktion används för att rengöra sandbädden; vatten pumpas ner genom anslutningshjulet, upp mot sandbädden och deponeras utanför D-porten.



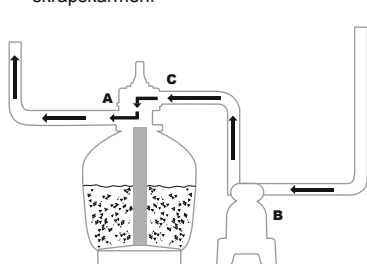
💧 Skölj: Denna funktion används för grundläggande start, rengöring och utslätning av sandbädden efter spolningen; vattnet pumpas ner genom sandbädden, upp genom anslutningshjulet och deponeras utanför D-portens ventil.



☹ Tömning: Denna funktion tömmer vatten ur poolen; en annan inställning för att komma förbi filtret, och vattnet pumpas och deponeras utanför D-porten i stället för att återgå till poolen.



↻ Cirkulera: Denna funktion gör så att poolvattnet cirkulerar genom att passera förbi sandfiltret. Använd denna funktion om filtret är trasigt för att samla skräp på skräpskärmen.



OBS:

- Försäkra dig om att alla regler för tömning av utsläppsvatten uppfyller tillämpbara lokala, statliga eller nationella lagar.
Töm inte ut vatten om detta kan leda till översvämning eller skador.
- När kontrollventilen är inställd på spolning, sköljning eller tömning, töms vattnet ut ur D-porten på kontrollventilen.
- Anslut inte och använd inte sandfiltret med kontrollventilen ställd i

Stängd funktion, annars skadas sandfiltret allvarligt.

- Ställ inte kontrollventilen mellan två funktioner, eftersom det leder till läckage.
- För att förhindra vattenläckage, skruva fast Port D-locket på Port D-kontrollventilen innan du använder funktionen för filtrering eller cirkulation.

Att släppa ut luften

Tryck ned kontrollventilens handtag och vänta tills vatten matas ut från Port D för att släppa ut luften.

OBS: Det är viktigt att upprepa detta moment varje gång som du startar pumpen efter vinterförvaring, underhåll och backspolning av sandbädden.

ANVISNINGAR FÖR FÖRSTA ANVÄNDNINGEN

Backspolning och sköljning måste utföras för att förbereda pumpen för dess första användning och för att göra rent sanden.

FÖRSIKTIGHET: TORRKÖR INTE SANDFILTRET



1. Tryck ned kontrollventilens handtag och vrid till funktionen backspolning.
2. Koppla in och kör sandfiltret i 3-5 minuter, eller tills vattnet som kommer ut är klart.
3. Stäng av sandfiltret och ställ in kontrollventilen på funktionen spolning.
4. Sätt på sandfiltret och kör sandfiltret i 1 min. På så sätt cirkulerar vattnet bakåt genom sandfiltret och tömmer ut vatten från Port D.
5. Stäng av sandfiltret. Ställ in kontrollventilen på funktionen stängd.
6. Fyll på poolvatten vid behov.

VIKTIGT: Denna procedur tar bort vatten från poolen som du sedan behöver ersätta. Stäng av sandfiltret omedelbart om vattennivån ligger nära poolens inlopps- och utloppsventiler.

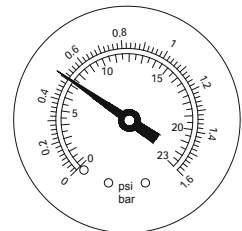
1. Nu är sanden klar att användas. Ställ kontrollventilen i filterläget.

OBS: För att förhindra risken för elektrisk stöt, ska du torka bort alla vattenrester från dig själv och sandfiltret.

VIKTIGT: Innan användning, se till att tanken är stadigt placerad på basen och korrekt ansluten till pumpen.

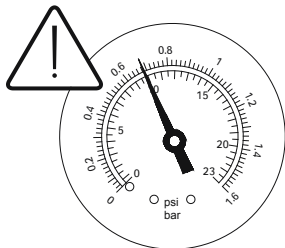
2. Starta sandfiltret.

OBS: Sandfiltret har nu startat dess filtreringscykel. Kontrollera att vattnet kommer tillbaka till poolen och kontrollera filtertrycket på tryckmätaren. I allmänhet är det rekommenderade sandfiltertrycket under 0.56Bar (8.0PSI) då det används.



Sandfiltrets underhåll

FÖRSIKTIGHET: Du måste försäkra dig om att sandfiltret har stängts av och kopplats bort innan något underhåll påbörjas, annars föreligger allvarig risk för personskada eller dödsfall. Efter att smuts har ansamlats i sandfiltret kommer trycket som kan avläsas på tryckmätaren att öka. När tryckmätaren ligger på 0,62 Bar (9,0 PSI) eller högre, eller vattenflödet till poolen är för lågt, är det dags att göra rent sanden. För att rengöra sandbädden, följ anvisningarna som tidigare har angetts i: **Backflöde och sköljning.**



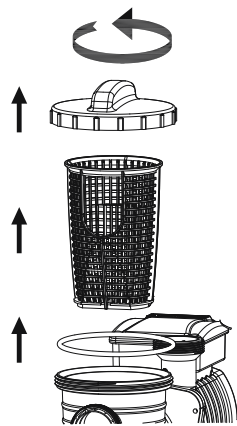
OBS:

1. Tryckmätaren är enbart till för underhåll och tryckmätarens värde är enbart för referens, det ska inte användas som ett precisionsinstrument.
2. Vi rekommenderar att du rengör sandfiltret en gång i månaden eller mindre regelbundet beroende på hur ofta poolen används. Rengör inte sanden för ofta.

Rengöring av filtret

1. Koppla ur filtret och ställ in styrventilen till stängt driftläge.
2. Sätt tillbaka skräpfilter och propparna för att förhindra att vattnet rinner ut.
3. Skruva loss filterskyddet och avlägsna det.
4. Ta ut filtret och rengör det.
5. Sätt tillbaka filtret på rätt plats. Kontrollera att hålen i filtret är i linje.
6. Se till att tätningsringen sitter rätt. Skruva fast filterskyddet igen.
7. Avlägsna propparna och sätt i skräpfiltren.

OBS: Filtret ska tömmas och rengöras regelbundet. Ett smutsigt eller blockerat filter försämrar sandfiltrets funktion.



Minskning eller tömning av poolvattnet

1. Stäng av sandfiltret och ställ in kontrollventilen på funktionen tömning.
2. Koppla loss slangen från poolens Port A och sandfiltrets Port A och koppla den till Port D.
3. Sätt på sandfiltret för att köra filtret och ta bort poolvattnet.

VARNING: TORRKÖR INTE SANDFILTRET.

Vinterisering och långsiktig förvaring

I områden som har vintertemperaturer som ligger under fryspunkten måste poolutrustningen vinterförvaras för att skyddas mot skada.

Om vatten fryser till kommer sandfiltret att skadas och garantin att förfalla.

1. Backspolning av sandfiltret.
2. Töm poolen enligt anvisningarna i tillhörande ägarmanual.
3. Skruva ut dräneringsventilen hylsa i botten av tanken och tappa ut kvarvarande vatten.
4. Koppla bort de två slangarna från poolen och sandfiltret.
5. Töm ut sanden helt ur tanken och torka alla delar.
6. Förvara sandfiltret på en torr plats utom räckhåll för barn.

FELSÖKNING		
Problem	Orsaker	Lösning
Flödar in i poolen	<ul style="list-style-type: none">- För lite sand- Ställ in kontrollventilen från backspolning till filterfunktionen utan att stoppa sandfiltret- Sandnivån är för hög- Avskummaren är trasig	<ul style="list-style-type: none">- Kvarssand på 0,45 mm till 0,85 mm rekommenderas- Stoppa sandfiltret varje gång för att ställa om kontrollventilen- Om sandnivån ligger mellan "MAX" och "MIN" på uppsamlingsnavet- Ersätt avskummaren
Vattenflöde	<ul style="list-style-type: none">- Stoppluggarna är inte urtagna- Luften tömdes inte ut- Kontrollventilen har inte satts i stängt läge- Silen är blockerad- Sandfiltret är trasigt	<ul style="list-style-type: none">- Ta ut stoppluggarna och sätt i skräpfiltert- Töm ut luften- Ställ in filterfunktionen- Rengör silen- Kontakta service
Filtertryck	<ul style="list-style-type: none">- Smutsigt filter- Förkalkad sandbotten- Otillräcklig backspolning- Tryckmätaren är trasig	<ul style="list-style-type: none">- Backspolning- Kontrollera sanden och byt ut den om nödvändigt- Backspola tills spolvattnet är klart- Ersätt tryckmätaren
Ventilläckage från port D	<ul style="list-style-type: none">- Kontrollventilen står inställd mellan två funktioner- Packningen är trasig	<ul style="list-style-type: none">- Ställ in en av funktionerna- Ersätt packningen
Läckor	<ul style="list-style-type: none">- Kopplingsbrickan är ej i läge- Kopplingsbrickan är trasig- Lösa slangar	<ul style="list-style-type: none">- Sätt brickan i rätt läge- Ersätt brickan- Dra åt dem



For support please visit us at:
bestwaycorp.com/support

©2019 Bestway Inflatables & Material Corp.

All rights reserved/Tous droits réservés/Todos los derechos reservados/Alle Rechte vorbehalten/Tutti i diritti riservati

®™ Trademarks used in some countries under license to/

Marques ®™ utilisées dans certains pays sous la licence de/

Marcas comerciales ®™ utilizadas en algunos países bajo la licencia de/

®™ Die Warenzeichen werden in einigen Ländern verwendet unter Lizenz der/

®™ Marchi utilizzati in alcuni paesi concessi in licenza a

Bestway Inflatables & Material Corp., No.3065 Cao An Road, Shanghai, 201812, China.

Manufactured, distributed and represented in the European Union by/

Fabriqués, distribués et représentés dans l'Union Européenne par/Fabricado, distribuido y representado en la Unión Europea por/

Hergestellt, vertrieben und in der Europäischen Union vertreten von/Prodotto, distribuito e rappresentato nell'Unione Europea da

Bestway (Europe) S.r.l., Via Resistenza, 5, 20098 San Giuliano Milanese (Milano), Italy

Distributed in North America by/Distribués en Amérique du Nord par/Distribuido en Norteamérica por

Bestway (USA) Inc., 3411 E. Harbour Drive, Phoenix, Arizona 85034, United States of America

Tel: +86 21 69135588 (For U.S. and Canada)

Distributed in Latin America by/Distribués en Amérique latine par/Distribuido en Latinoamérica por/Distribuido na América Latina por

Bestway Central & South America Ltda, Salar Ascotan 1282, Parque Enea, Pudahuel, Santiago, Chile

Distributed in Australia & New Zealand by **Bestway Australia Pty Ltd, 98-104 Carnarvon Street, Silverwater, NSW 2128, Australia**

Tel: Australia: (+61) 29 0371 388; New Zealand: 0800 142 101

Exported by/Exporté par/Exportado por/Exportiert von/Esportato da

Bestway (Hong Kong) International Ltd./Bestway Enterprise Company Limited

Suite 713, 7/Floor, East Wing, Tsim Sha Tsui Centre, 66 Mody Road, Kowloon, Hong Kong

www.bestwaycorp.com

Made in China/Fabriqués en Chine/Fabricado en China/Hergestellt in China/Prodotto in Cina